



Equipment for the Foodservice Industry
value + quality + service

Thermostat Griddle

RCTTG-24



RCTTG-24

Features

- Durable Stainless Steel structure, corrosion - resistant and easy to clean
- Simple structure, easy to manipulate and maintain
- Highly efficient stainless steel burners, standby pilots
- Thick grill, with excellent heat storage performance and even heating
- Independent manual controls to save energy
- Adjustable stainless steel legs
- One year limited warranty parts and labour

*Specifications subject to change without notice

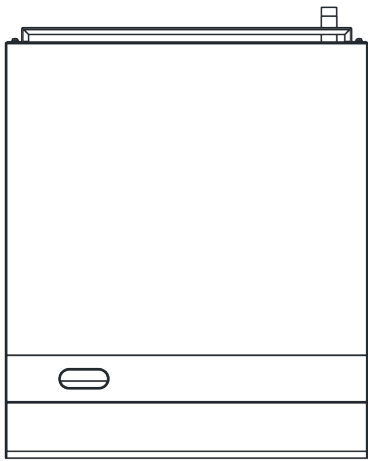
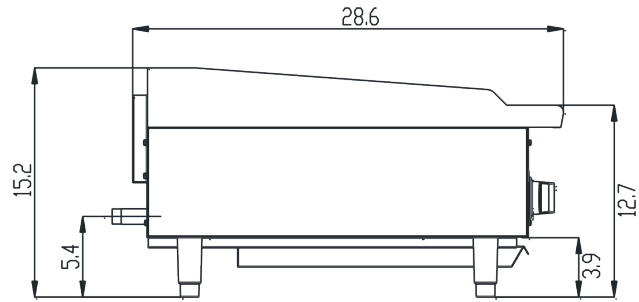
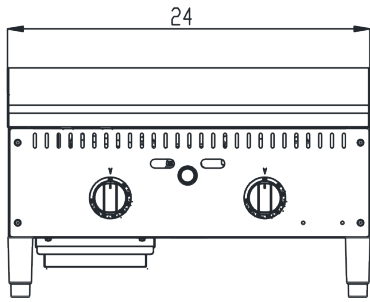


WARRANTY
INFORMATION
One year parts
and labour.



RCTTG-24

Specifications



Model	Burners	Ignition	Gas type	Intake-tube pressure (in.W.C.)	Per BTU B.T.U./h	Total BTU B.T.U./h	Nozzle No.	Net weight (LBS) rock
RCTTG-24-N	2	Manual	NG	4	25,000	50,000	#42	160.6
RCTTG-24-P			LP	10	25,000	50,000	#53	