

efi sales Ltd.

Equipment for the Foodservice Industry
value + quality + service

Hot Plates

RCTHP-12-2



RCTHP-12-2

Features

Features:

- Durable Stainless Steel structure that is corrosion resistant and easy to clean
- Simple and robust structure, easy to manipulate and maintain
- Highly efficient Stainless Steel burner
- Standby pilots

- Independent manual controls to save the energy
- Available in natural gas & propane
- Adjustable stainless steel legs included

Warranty:

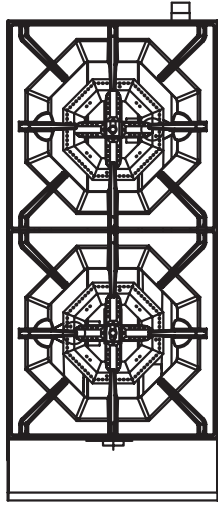
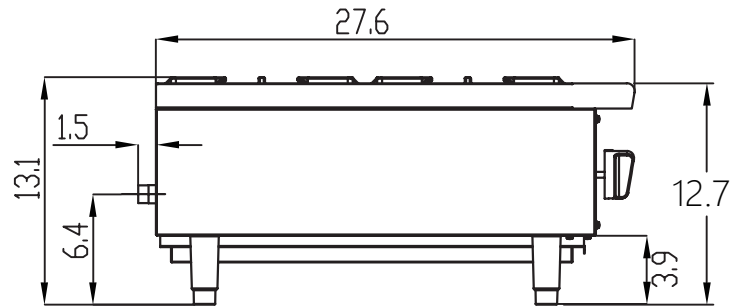
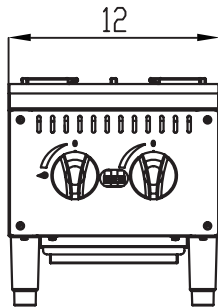
- One year limited warranty parts and labour

*Specifications subject to change without notice



WARRANTY
INFORMATION
One year parts
and labour.



RCTHP-12-2**Specifications**

Model	Burners	Ignition	Gas type	Intake-tube pressure (in.W.C.)	Per BTU B.T.U./h	Total BTU B.T.U./h	Nozzle No.	Net weight (LBS) rock
RCTHP-12-2	2	Manual	NG	4	25,000	50,000	#43	55.1
			LP	10	25,000	50,000	#53	