



Equipment for the Foodservice Industry

value + quality + service

## Char Rock Broilers

RCTCB-24



### RCTCB-24

### Features

Features:

- Durable Stainless Steel structure that is corrosion resistant and easy to clean
- Extended top side walls to hold grates in place
- Highly efficient Stainless Steel burner, for maximum heat transfer
- Full width removable crum pan
- Manually controlled valves for each burner
- Standing pilots for instant ignition
- Cast iron grill to maintain the thermal inertia
- Lava rock for even heat distribution
- Sectioned grates for easy removal and cleaning
- Independent manual controls to save the energy
- Adjustable multi-level heavy duty cast iron top grates
- Adjustable stainless steel legs included
- Available in natural gas & propane

Warranty:

- One year limited warranty parts and labour

\*Specifications subject to change without notice

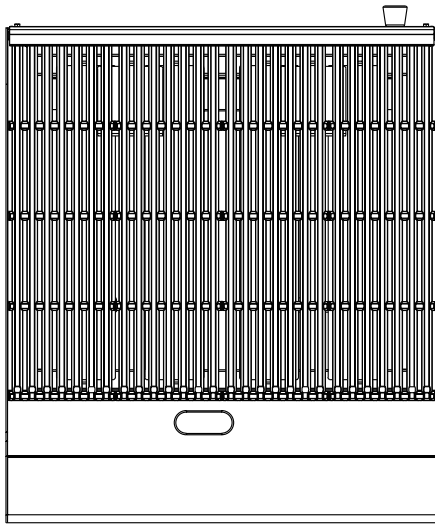
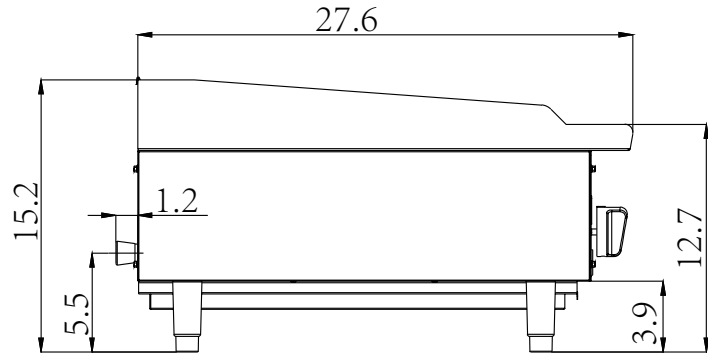
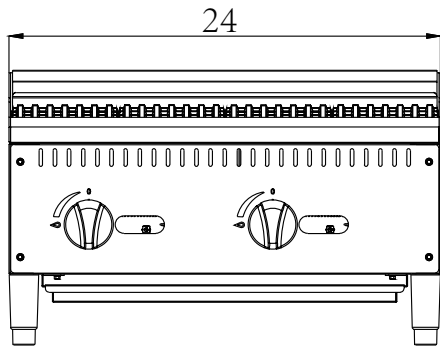


WARRANTY  
INFORMATION  
One year parts  
and labour.



**RCTCB-24**

**Specifications**



Model	Burners	Ignition	Gas type	Intake-tube pressure (in.W.C.)	Per BTU B.T.U./h	Total BTU B.T.U./h	Nozzle No.	Net weight (LBS) rock
RCTCB-24	2	Manual	NG	4	35,000	70,000	#36	136.7
			LP	10	35,000	70,000	#50	