

Amana® Commercial

Project #: _____

Item #: _____



Model RCS10TS shown

Medium Volume

This category of microwave is ideal for...

Applications:

- Pizza restaurants
- Casual dining
- Clubs
- Deli

Defrost:

- Defrosts most frozen food products

All ACP, Inc. commercial ovens are backed by our Culinary Center. Call us with any question regarding food preparation, menu development and cooking times. 866-426-2621.



Medium Volume

Amana Commercial Microwave Model RCS10TS

Power Output

- 1000 watts of power.
- Five power levels for consistent, delicious results for frozen, refrigerated and fresh foods - from the freezer to table in minutes.

Easy to Use

- Up to 100 programmable menu items simplifies cooking and ensures consistent results.
- Four stage cooking option for easy one-touch cooking.
- Multiple quantity pad calculates the proper cooking times for multiple portions.
- User friendly touch controls are easy to use.
- Time entry option for added flexibility.
- Digital display with countdown timer for simple operation and "at-a-glance" monitoring.
- Braille touch pads are ADA compliant.
- See-through door and lighted interior for monitoring without opening the door.
- 1.2 cubic ft. (34 liter) capacity accommodates a 14" (356 mm) platter, prepackaged foods and single servings.
- Stackable to save valuable counter space.

Easy to Maintain

- Stainless steel exterior and interior for easy cleaning and a professional look.
- Non-removable air filter protects oven components.
- Constructed to withstand the foodservice environment.
- Backed by the ACP, Inc. 24/7 ComServ Support Center, 866-426-2621.
- ETL Listed.



AIA File #:

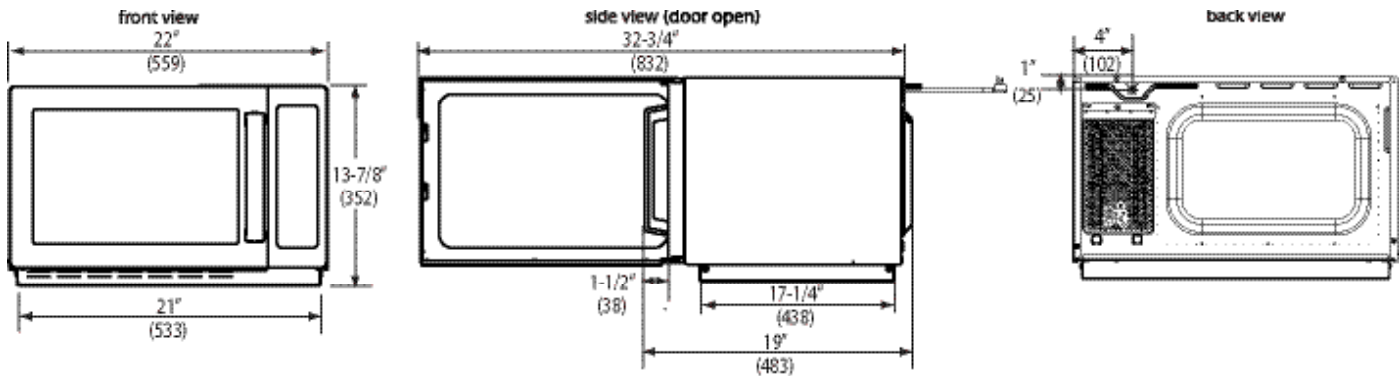
Specification #:

Part No. 20154732
Updated 6/17/2016
Original Instructions



© 2016 ACP, Inc.
Cedar Rapids, Iowa 52404

Amana Commercial Microwave Model RCS10TS | Medium Volume



Installation Clearances - Top: 2" (51), Sides: 1" (25), Back: None

Drawings available from KCL CADlog - techs@kclcad.com

Specification #:

Specifications	
Model	RCS10TS UPC Code 728028020724
Configuration	Countertop
Control System	Touch
Programmable Control	10
Settings Programmable	100
Braille	
Max. Cooking Time	60:00
Power Levels	5
Defrost	Yes
Time Entry Option	Yes
Microwave Distribution	Rotating antenna, top
Magnetron(s)	1
Display	VFD
Stackable	Yes
Stage Cooking	Yes, 4
Interior Light	Yes
Door Handle	Grab & Go
Signal	End of cycle, adjustable
Air Filter	Non-removable with cleaning reminder
Multiple Portion Setting	Yes, X2
Exterior Dimensions	H 13 7/8" (352) W 22" (559) D*19" (483)
Cavity Dimensions	H 8 1/2" (216) W 14 1/2" (368) D 15" (381)
Door Depth	32 3/4" (832), 90°+ door open
Usable Cavity Space	1.2 cubic ft. (34 liter)
Exterior Finish	Stainless steel
Interior Finish	Stainless steel
Power Consumption	1550 W, 13 A
Power Output**	1000 W** Microwave
Power Source	120V, 60 Hz, 15 A single phase
Plug Configuration / Cord	NEMA 5-15 5 ft. (1.5m)
Frequency	2450 MHz
Product Weight	41 lbs. (19 kg.)
Ship weight (approx.)	47 lbs. (21 kg.)
Shipping Carton Size	H 16 5/8" (422) W 25 3/16" (640) D 19 3/4" (502)
UPS Shippable	Yes

Specifications

Commercial microwave 10 touch pad control panel shall be programmable with the ability to program up to 100 menu items with two multiple portions. Touch pad shall include Braille for ADA compliance. Cooking timer shall be 60 minute, countdown style with a time entry option and an adjustable end of cycle audible signal. There shall be 5 power levels, including defrost and 4 cooking stages. Microwave output shall be 1000 watts distributed by one magnetron with a rotating top antenna to provide superior even heating throughout the cavity. Durable door shall have a tempered glass window and a grab and go handle with a 90°+ opening for easy access. An interior light shall facilitate monitoring without opening the door. The large 1.2 cubic ft. (34 liter) cavity shall accommodate a 14" (356 mm) platter. Interior ceramic shelf shall be sealed and recessed on oven bottom to reduce plate-to-shelf edge impact. Oven shall have a stainless steel interior and exterior and be stackable to save counter and shelf space. Front air filter shall be permanently affixed to the front of the oven and have a clean filter reminder. Microwave oven shall comply with standards set by the U.S Department of Health and Human Services, UL923 for safety and NSF4 for sanitation.



Warranty

Warranty Certificate for this product can be found on the ACP, Inc. website at:

www.acpsolutions.com/warranty



Service

All products are backed by the ACP, Inc. 24/7 ComServ Support Center.

AIA File #:

Measurements in () are millimeters

* Includes handle

** IEC 60705 Tested

Part No. 20154732
Updated 6/17/2016
Original Instructions



© 2016 ACP, Inc.
Cedar Rapids, Iowa 52404

Amana® Commercial

Project #: _____

Item #: _____



Model RCS10DSE shown

Medium Volume

Amana Commercial Microwave Model RCS10DSE

Power Output

- 1000 watts of power.
- Four power levels.

Easy to Use

- User friendly ten minute dial timer lights up for at-a-glance monitoring.
- Timer automatically resets to zero if door is opened during heating. User option allows manual reset to zero.
- See-through door and lighted interior for monitoring without opening the door.
- 1.2 cubic ft. (34 liter) capacity accommodates a 14" (356 mm) platter, prepackaged foods and single servings.
- Stackable to save valuable counter space.

Easy to Maintain

- Stainless steel exterior and interior for easy cleaning and a commercial look.
- Constructed to withstand the foodservice environment.
- Non-removable air filter protects oven components.
- Backed by the ACP, Inc. 24/7 ComServ Support Center, 866-426-2621.
- ETL Listed.

Medium Volume This category of microwave is ideal for...

Applications:

- Coffee shops
- Ethnic restaurants
- Concessions
- Dessert stations

All ACP, Inc. commercial ovens are backed by our Culinary Center. Call us with any question regarding food preparation, menu development and cooking times. 866-426-2621.



Part No. 20154733
Updated 6/17/16
Original Instructions



© 2016 ACP, Inc.
Cedar Rapids, Iowa 52404

225 49th Ave Dr. SW Cedar Rapids, IA 52404 | 800-233-2366

| 319-368-8120

| Fax: 319-368-8198

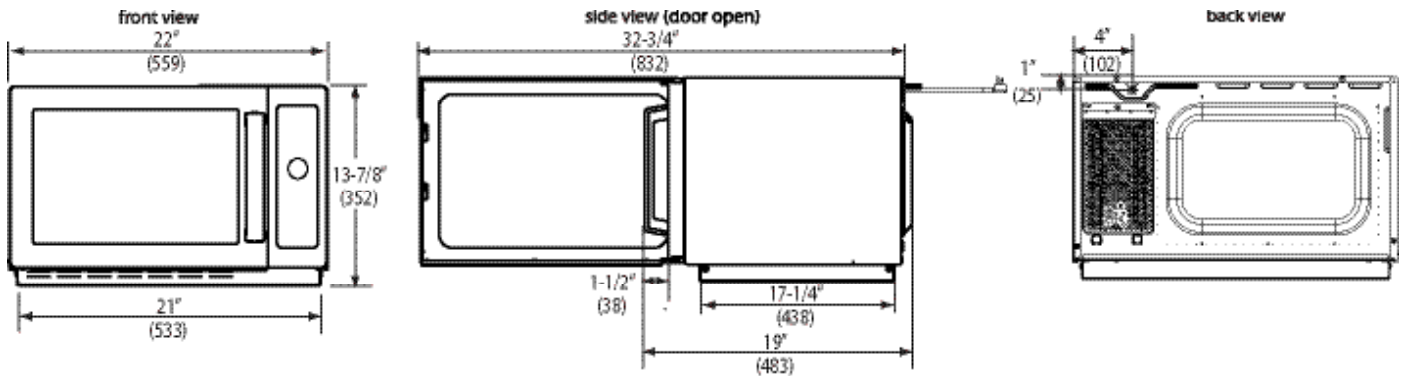
| www.acpsolutions.com

®/™ © 2016 Amana. All rights reserved. Brand used under license.

AIA File #:

Specification #:

Amana Commercial Microwave Model RCS10DSE | Medium Volume



Installation Clearances - Top: 2" (51), Sides: 1" (25), Back: None

Drawings available from KCL CADlog - techs@kclcad.com

Specification #:

Specifications			
Model	RCS10DSE	UPC Code 728028129465	
Configuration	Countertop		
Control System	Dial		
Max. Cooking Time	10:00		
Power Levels	4		
Time Entry Option	Yes		
Microwave Distribution	Rotating antenna, top		
Magnetron	1		
Stackable	Yes		
Stage Cooking	1		
Interior Light	Yes		
Door Handle	Grab & Go		
Signal	End of cycle		
Exterior Dimensions	H 13 7/8" (352)	W 22" (559)	D*19" (483)
Cavity Dimensions	H 8 1/2" (216)	W 14 1/2" (368)	D 15" (381)
Door Depth	32 3/4" (832), 90°+ door open		
Usable Cavity Space	1.2 cubic ft. (34 liter)		
Exterior Finish	Stainless steel		
Interior Finish	Stainless steel		
Power Consumption	1550 W, 13 A		
Power Output**	1000 W** Microwave		
Power Source	120V, 60 Hz, 15 A single phase		
Plug Configuration / Cord	NEMA 5-15	5 ft. (1.5m)	
Frequency	2450 MHz		
Product Weight	41 lbs. (19 kg.)		
Ship weight (approx.)	47 lbs. (21 kg.)		
Shipping Carton Size	H 16 5/8" (422)	W 25 3/6" (640)	D 19 3/4" (502)
UPS Shippable	Yes		

Specifications

Commercial microwave shall have a user-friendly 10 minute dial timer with illuminated digits and an end of cycle audible signal. Timer shall automatically reset if the door is opened during heating with user option to manually reset to zero. There shall be a four power level and cooking stage. Microwave output shall be 1000 watts distributed by one magnetron with a rotating top antenna to provide superior even heating throughout the cavity. Durable door shall have a tempered glass window and a grab and go handle with a 90°+ opening for easy access. An interior light shall facilitate monitoring without opening the door. The large 1.2 cubic ft. (34 liter) cavity shall accommodate a 14" (356 mm) platter. Interior ceramic shelf shall be sealed and recessed on oven bottom to reduce plate-to-shelf edge impact. Oven shall have a stainless steel exterior and interior and be stackable to save counter and shelf space. The air filter shall be permanently affixed to the front of the oven. Microwave oven shall comply with standards set by the U.S Department of Health and Human Services, UL923 for safety and NSF4 for sanitation.



Warranty

Warranty Certificate for this product can be found on the ACP, Inc. website at:

www.acpsolutions.com/warranty



Service

All products are backed by the ACP, Inc. 24/7 ComServ



AIA File #:

Measurements in () are millimeters

* Includes handle

** IEC 60705 Tested

Part No. 20154733
Updated 6/17/16
Original Instructions



© 2016 ACP, Inc.
Cedar Rapids, Iowa 52404