



STORAGE SOLUTION

SERVING THE FOOD INDUSTRY SINCE 1951

POLY-TOP WORK TABLES WITH BACKSPLASH



***Poly-top work tables
with undershelves and 6" backsplash***

Made of stainless steel frame with 6" stainless steel backsplash, these poly top tables are convenient kitchen prep tables ideal for deli shops and any commercial kitchen. Poly cutting boards sold separately.



WARRANTY



*Only applies to items
41279 and 41281*



Authorized Dealer

STORAGE SOLUTION

SOLID POLY TOP FRAME WITH SHELF 24" x 48" WITH BACKSPASH



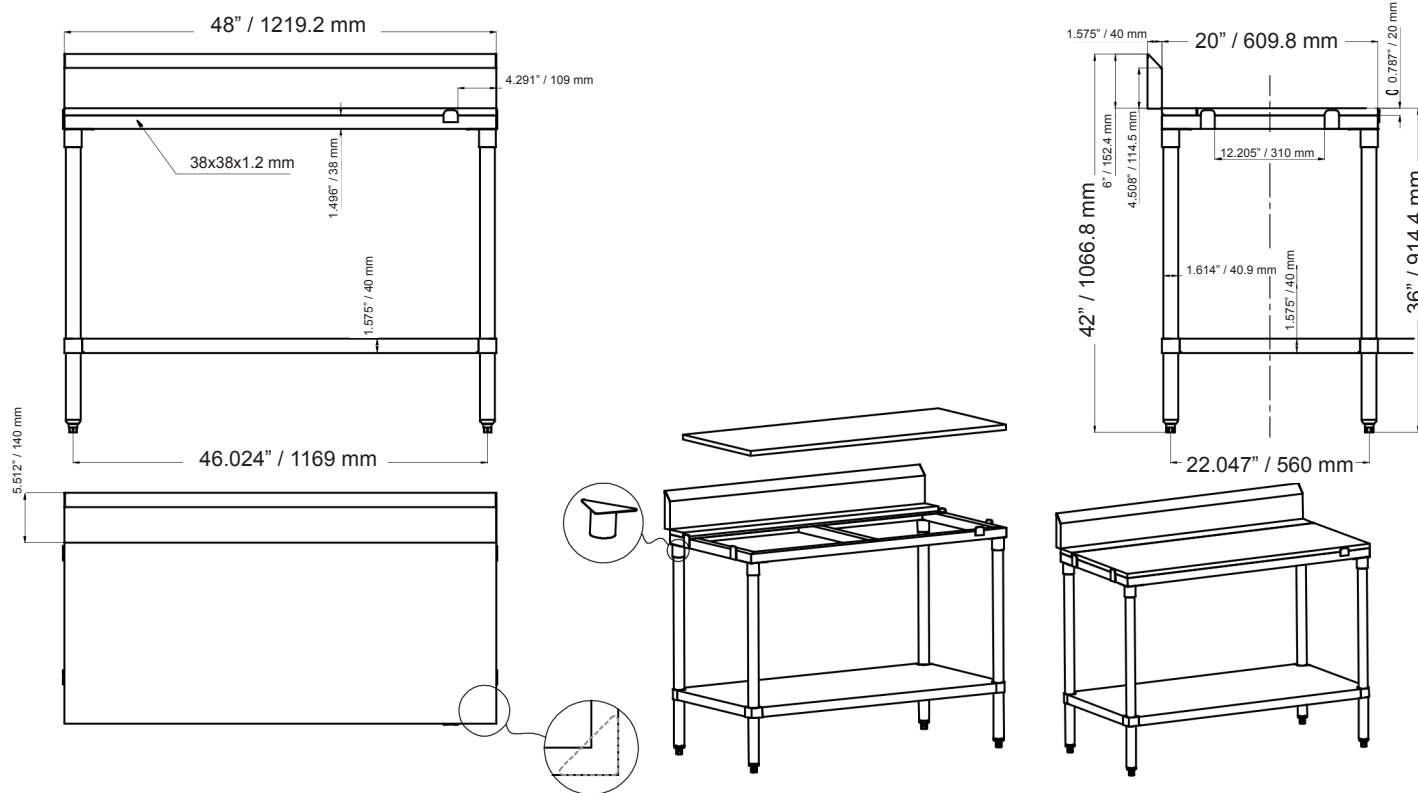
TECHNICAL SPECIFICATION

ITEM	41247
UNDERSHELF ITEM NO.	44279
DESCRIPTION	Solid poly top frame with shelf 24" x 48" with backplash
WEIGHT	53 lbs. / 24 kg.
PACKAGING WEIGHT	57.2 lbs. / 25.9 kg.
DIMENSIONS (DWH)	24" x 48" x 42" 609.6 x 1219.2 x 1066.8 mm
PACKAGING DIMENSIONS	26" x 50" x 9" 660.4 x 1270 x 228.6 mm

OPTIONAL POLY BOARDS *(Items sold separately)*

- ITEM 43195: 20" x 48" x 3/4" Poly Board
- ITEM 43196: 20" x 48" x 1" Poly Board

TECHNICAL DRAWINGS AND DIMENSIONS



OMCAN INC.

Telephone: 1-800-465-0234

Fax: (905) 607-0234

Email: sales@omcan.com

Website: www.omcan.com



60

Follow us to keep up to date with the latest news and offers



2015.E.O.E

STORAGE SOLUTION

SOLID POLY TOP FRAME WITH SHELF 30" x 36" WITH BACKSPLASH



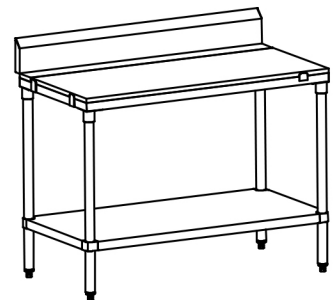
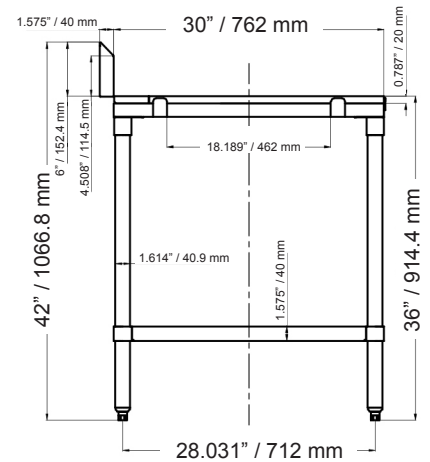
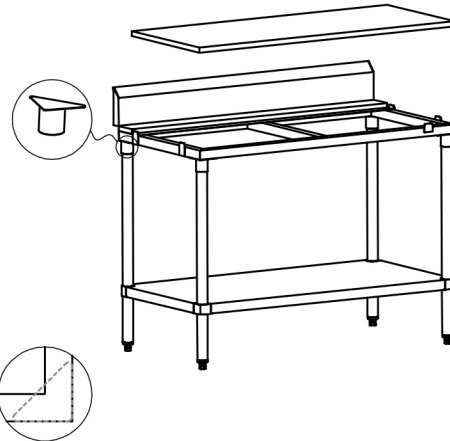
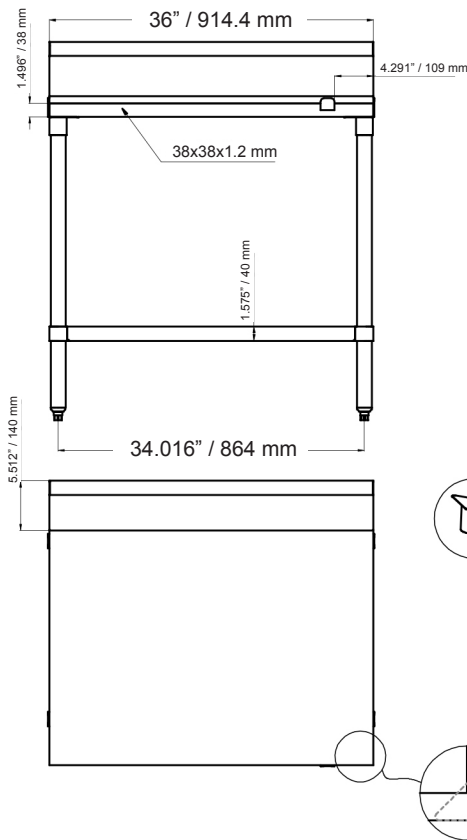
TECHNICAL SPECIFICATION

ITEM	41275
UNDERSHELF ITEM NO.	44280
DESCRIPTION	Solid poly top frame with shelf 30" x 36" with backsplash
WEIGHT	48.4 lbs. / 21.9 kg.
PACKAGING WEIGHT	52.8 lbs. / 23.9 kg.
DIMENSIONS (DWH)	30" x 36" x 42" 762 x 914.4 x 1066.8 mm
PACKAGING DIMENSIONS	32" x 38" x 9" 812.8 x 965.2 x 228.6 mm

OPTIONAL POLY BOARDS *(Items sold separately)*

- ITEM 43197: 26" x 36" x 3/4" Poly Board
- ITEM 43198: 26" x 36" x 1" Poly Board

TECHNICAL DRAWINGS AND DIMENSIONS



OMCAN INC.

Telephone: 1-800-465-0234
 Fax: (905) 607-0234
 Email: sales@omcan.com
 Website: www.omcan.com



Follow us to keep up to date with the latest news and offers



STORAGE SOLUTION

SOLID POLY TOP FRAME WITH SHELF 30" x 48" WITH BACKSPLASH



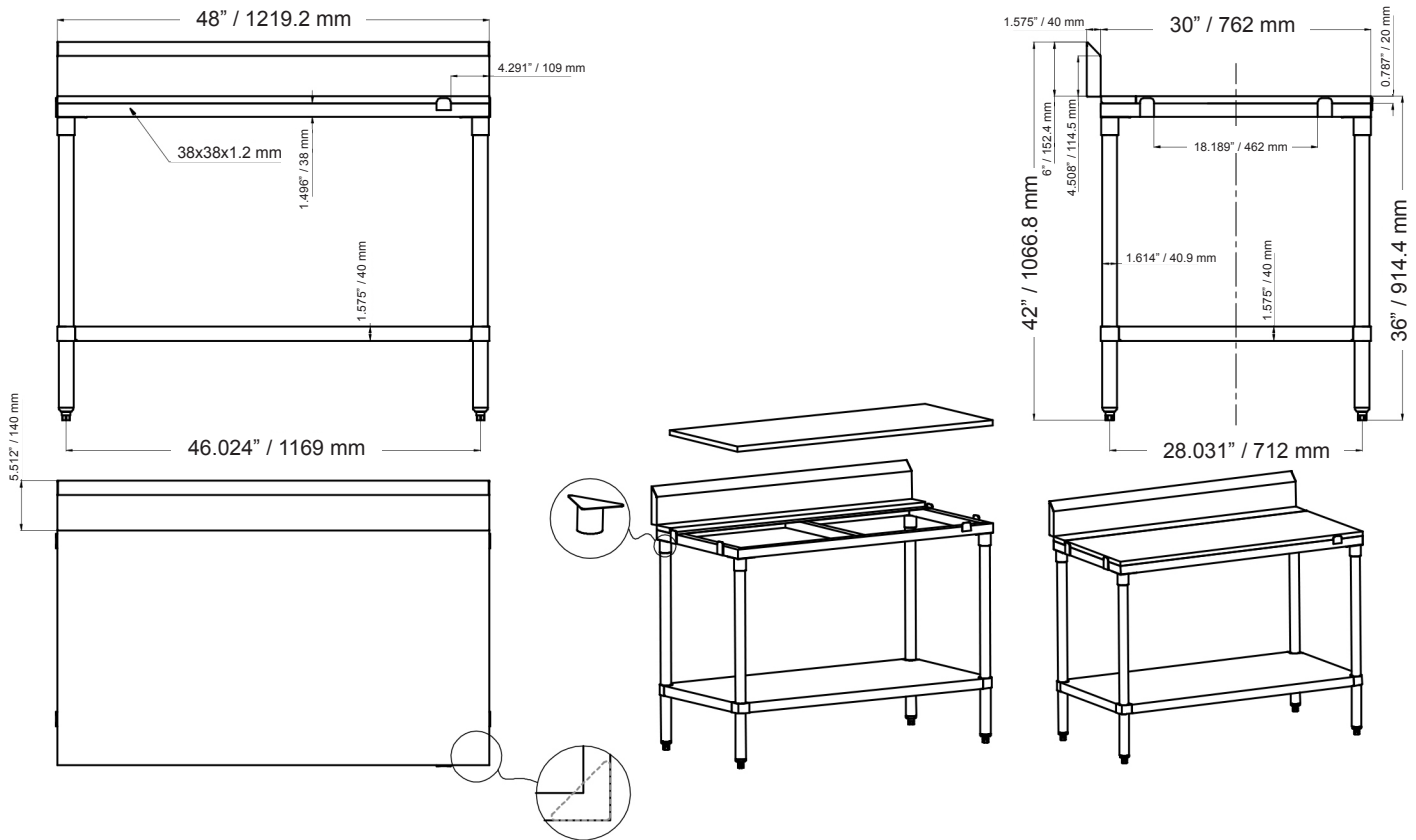
TECHNICAL SPECIFICATION

ITEM	41277
UNDERSHELF ITEM NO.	44281
DESCRIPTION	Solid poly top frame with shelf 30" x 48" with backsplash
WEIGHT	57.2 lbs. / 25.9 kg.
PACKAGING WEIGHT	61.6 lbs. / 27.9 kg.
DIMENSIONS (DWH)	30" x 48" x 42" 762 x 1219.2 x 1066.8 mm
PACKAGING DIMENSIONS	32" x 50" x 9" 812.8 x 1270 x 228.6 mm

OPTIONAL POLY BOARDS *(Items sold separately)*

- ITEM 43199: 26" x 48" x 3/4" Poly Board
- ITEM 43200: 26" x 48" x 1" Poly Board

TECHNICAL DRAWINGS AND DIMENSIONS



OMCAN INC.

Telephone: 1-800-465-0234
 Fax: (905) 607-0234
 Email: sales@omcan.com
 Website: www.omcan.com



Follow us to keep up to date with the latest news and offers



STORAGE SOLUTION

SOLID POLY TOP FRAME WITH SHELF 30" x 60" WITH BACKSPASH



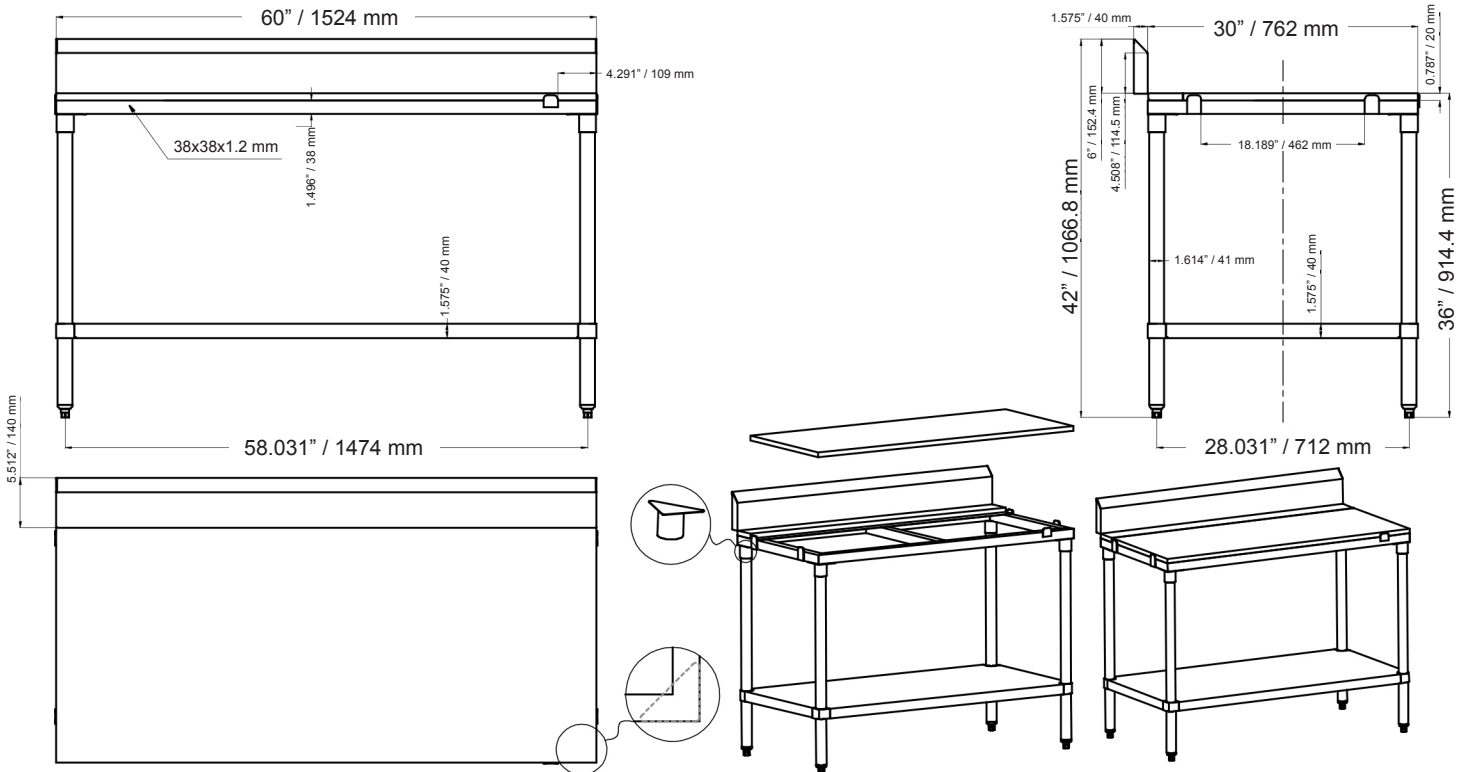
TECHNICAL SPECIFICATION

ITEM	41279
UNDERSHELF ITEM NO.	44282
DESCRIPTION	Solid poly top frame with shelf 30" x 60" with backslash
WEIGHT	66 lbs. / 29.9 kg.
PACKAGING WEIGHT	70.4 lbs. / 31.9 kg.
DIMENSIONS (DWH)	30" x 60" x 42" 762 x 1524 x 1066.8 mm
PACKAGING DIMENSIONS	32" x 62" x 9" 812.8 x 1574.8 x 228.6

OPTIONAL POLY BOARDS *(Items sold separately)*

- ITEM 43201: 30" x 60" x 3/4" Poly Board
- ITEM 43202: 30" x 60" x 1" Poly Board

TECHNICAL DRAWINGS AND DIMENSIONS



OMCAN INC.

Telephone: 1-800-465-0234
 Fax: (905) 607-0234
 Email: sales@omcan.com
 Website: www.omcan.com



Follow us to keep up to date with the latest news and offers



STORAGE SOLUTION

SOLID POLY TOP FRAME WITH SHELF 30" x 72" WITH BACKSPLASH



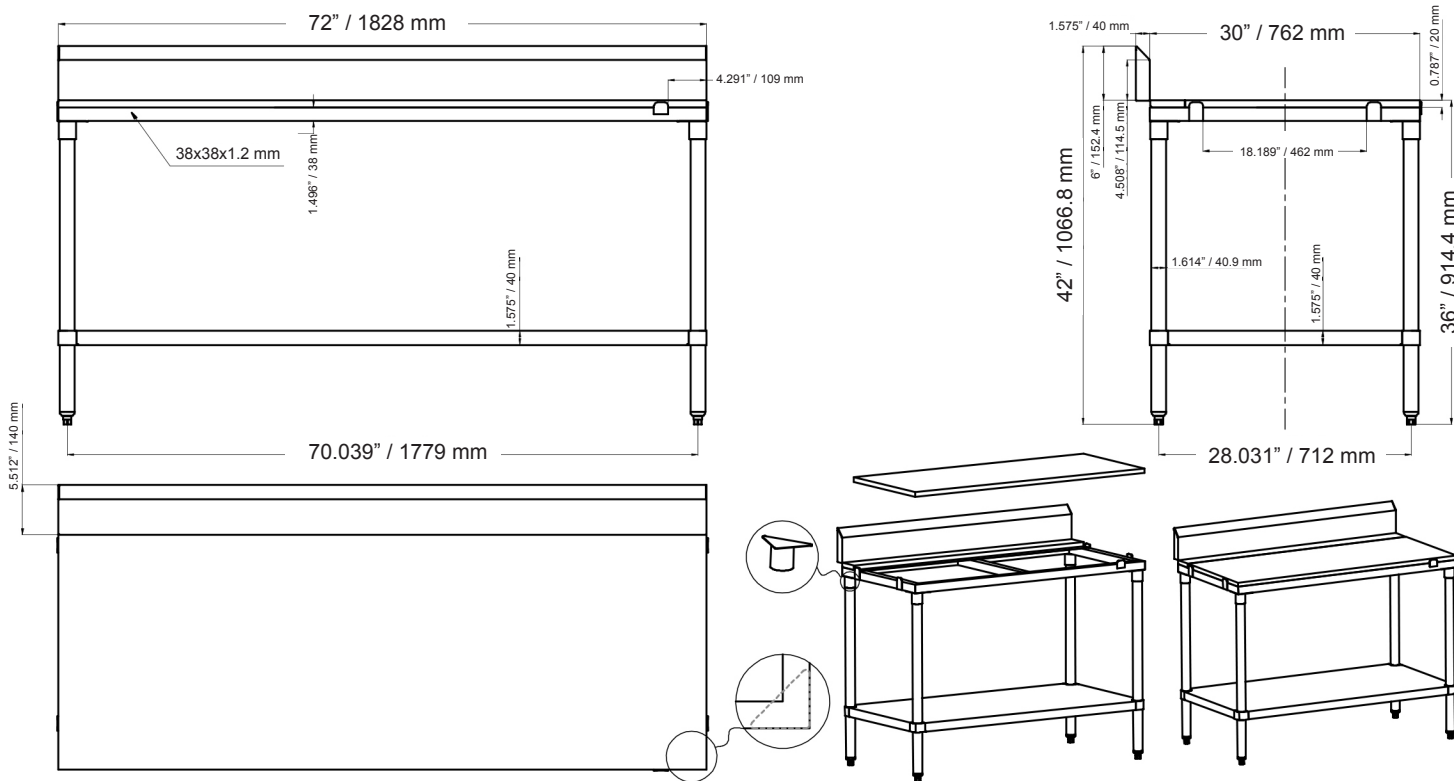
TECHNICAL SPECIFICATION

ITEM	41281
UNDERSHELF ITEM NO.	44245
DESCRIPTION	Solid polytop frame with shelf 30" x 72" with backsplash
WEIGHT	75 lbs. / 34 kg.
PACKAGING WEIGHT	82.5 lbs. / 37.4 kg.
DIMENSIONS (DWH)	30" x 72" x 42" 762 x 1828.8 x 1066.8 mm
PACKAGING DIMENSIONS	32" x 74" x 9" 812.8 x 1879.6 x 228.6 mm

OPTIONAL POLY BOARDS *(Items sold separately)*

- ITEM 43203: 26" x 72" x 3/4" Poly Board
- ITEM 43204: 26" x 72" x 1" Poly Board

TECHNICAL DRAWINGS AND DIMENSIONS



OMCAN INC.

Telephone: 1-800-465-0234

Fax: (905) 607-0234

Email: sales@omcan.com

Website: www.omcan.com



60

Follow us to keep up to date with the latest news and offers



2015.E.O.E