



# FOOD EQUIPMENT

SERVING THE FOOD INDUSTRY SINCE 1951

**1800-WATT SINGLE PANINI GRILL WITH RIBBED TOP AND BOTTOM**  
ITEM: 19935 MODEL: PG-CN-0515-R | ITEM: 31461 MODEL: PG-CN-0515

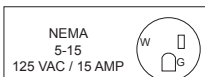
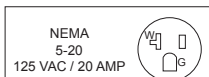


### THE PERFECT GRILL TO SERVE YOUR FAVORITE SANDWICHES ANYTIME

Ideal for panini, foccacia, and pita sandwiches, Omcan's 10" x 11" Ribbed Sandwich Grill has a stainless steel body with cast iron grilling surfaces for easy cleaning.



**WARRANTY**  
PARTS AND LABOR



\* Only for the 19935



Authorized Dealer

# FOOD EQUIPMENT

1800-WATT SINGLE PANINI GRILL WITH RIBBED TOP AND BOTTOM

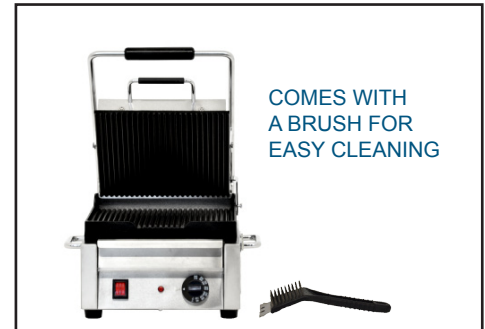
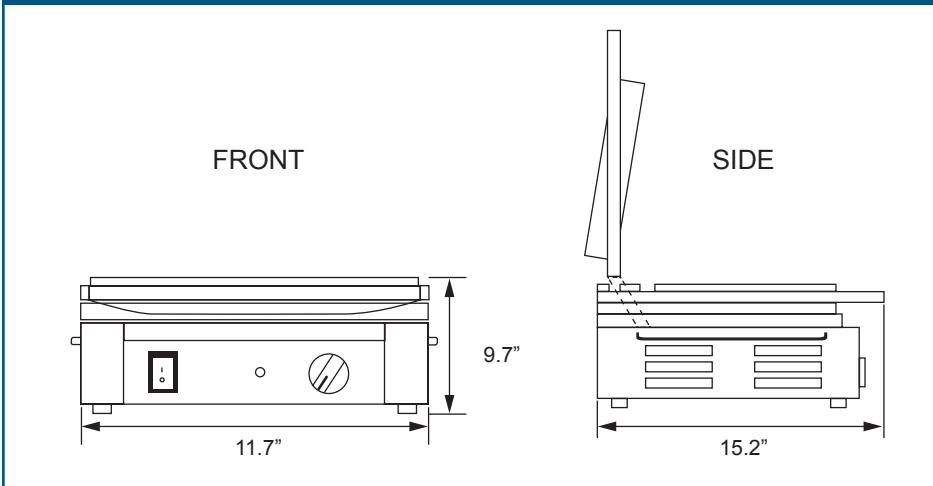


## TECHNICAL SPECIFICATIONS

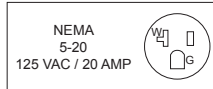
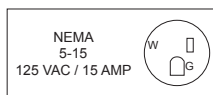
ITEM NUMBER	19935	31461
MODEL	PG-CN-0515-R	PG-CN-0515
GRILL SURFACE	10" x 11" / 254 x 279.4 mm	
THERMOSTAT CONTROL	300°C / 572°F	
AMPS	16	15
POWER	1.8 kW	1.5 kW
ELECTRIC	120 V / 60 Hz / 1 Ph	
NEMA PLUG TYPE	5-20	5-15
TOP GRILL	Ribbed	
BOTTOM GRILL	Ribbed	
NET WEIGHT	45 lbs. / 20.4 kg.	
GROSS WEIGHT	48 lbs. / 21.8 kg.	
DIMENSIONS (DWH)	15.2" x 11.7" x 9.7" / 391 x 298 x 248 mm	
PACKAGING DIMENSIONS	15.75" x 19.125" x 13.75" / 400 x 486 x 350 mm	



## TECHNICAL DRAWING AND DIMENSIONS



**WARRANTY**  
PARTS AND LABOR



\* Only for the 19935

**OMCAN INC.**

Telephone: 1-800-465-0234

Fax: (905) 607-0234

Email: sales@omcan.com

Website: www.omcan.com



Follow us to keep up to date with the latest news and offers



2015.E.O.E