



FOOD EQUIPMENT

SERVING THE FOOD INDUSTRY SINCE 1951

1800-WATT SINGLE PANINI GRILL WITH FLAT TOP AND BOTTOM

ITEM: 21464 MODEL: PG-CN-0515-F

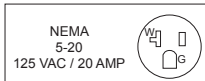


THE PERFECT GRILL TO SERVE YOUR FAVORITE SANDWICHES ANYTIME

Omcan's 10" x 11" Smooth Sandwich Grill has a stainless steel body with cast iron grilling surfaces for easy cleaning. Ideal for panini, foccacia, and pita sandwiches.



WARRANTY
PARTS AND LABOR



Authorized Dealer

FOOD EQUIPMENT

1800-WATT SINGLE PANINI GRILL WITH FLAT TOP AND BOTTOM



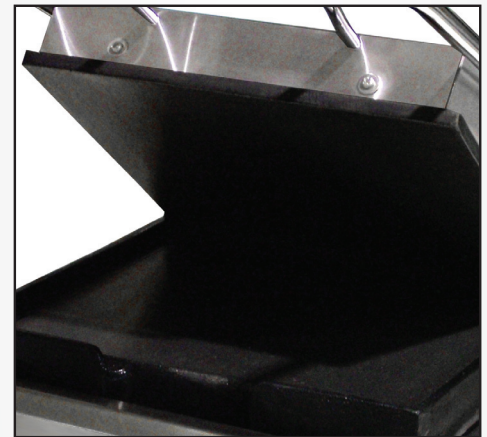
TECHNICAL SPECIFICATIONS

ITEM NUMBER	21464
MODEL	PG-CN-0515-F
GRILL SURFACE	10" x 11" / 254 x 279.4 mm
THERMOSTAT CONTROL	572° F / 300° C
AMPS	16
POWER	1.8 kW / 1800 W
ELECTRIC	120 V / 60 Hz / 1 Ph
TOP GRILL	Flat / Smooth
BOTTOM GRILL	Flat / Smooth
NET WEIGHT	50 lbs. / 22.7 kg.
GROSS WEIGHT	52.8 lbs. / 23.6 kg.
DIMENSIONS (WDH)	15" x 17" x 11" / 381 x 432 x 279 mm
PACKAGING DIMENSIONS	19.25" x 15.75" x 13.75" / 489 x 400 x 349 mm

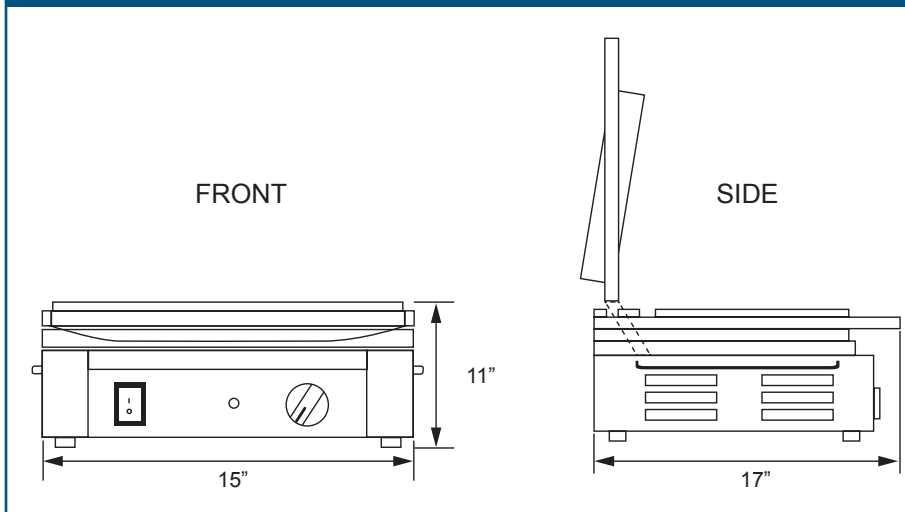
DETAILED SHOTS



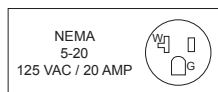
TEMPERATURE CONTROL ON/OFF SWITCH



TECHNICAL DRAWING AND DIMENSIONS



WARRANTY
PARTS AND LABOR



OMCAN INC.

Telephone: 1-800-465-0234

Fax: (905) 607-0234

Email: sales@omcan.com

Website: www.omcan.com



Follow us to keep up to date with the latest news and offers



2016.E.O.E