



FOOD EQUIPMENT

SERVING THE FOOD INDUSTRY SINCE 1951

13" WOK RANGE

Items: 47351, 47685 | Model: CE-CN-WOK



PREPARE YOUR STIR FRY DISHES WITH OMCAN'S 13" WOK RANGE!

Ideal for making wok dishes such as: stir fry dishes, sauteed vegetables, and much more. The compact size saves on space in your kitchen.



WARRANTY
PARTS AND LABOR



Authorized Dealer

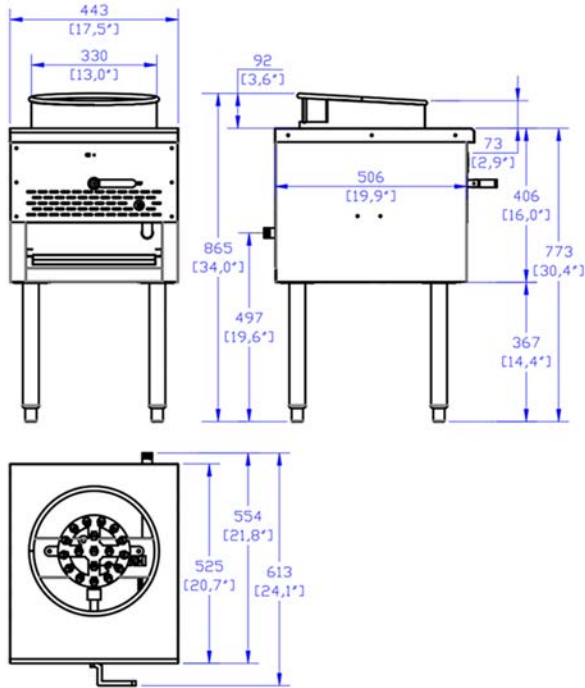
FOOD EQUIPMENT

13" WOK RANGE



TECHNICAL DRAWINGS & DIMENSIONS

*measurements in diagrams are in mm



TECHNICAL SPECIFICATIONS

Items	47351, 47685
Model	CE-CN-WOK
Number Of Burners	1
BTU	95,000
Pre-Heat Time	5 minutes
Gas Type	Natural Gas / Liquid Propane
Cooking Area	13" diameter
Dimensions	17.5" x 24.1" x 34"
Gross Dimensions	18" x 22.8" x 24"
Weight	95 lbs / 43 kg
Gross Weight	127 lbs / 58 kg
Conversion Kit Included	NO

FEATURES:

- Stainless steel front and cabinet base
- Jet burner with an adjustable gas valve
- Pilot ignition
- 13" wok attachment, making stir-frying quick and easy
- 3/4" rear gas connection
- 5 minute pre-heat time



WARRANTY
PARTS AND LABOR



Manufactured for commercial installation only, not intended for home use.

OMCAN INC.

Telephone: 1-800-465-0234
 Fax: (905) 607-0234
 Email: sales@omcan.com
 Website: www.omcan.com



Follow us to keep up to date with the latest news and offers



2017E&OE



FOOD EQUIPMENT

SERVING THE FOOD INDUSTRY SINCE 1951

16" WOK RANGE

Items: 47686, 47687 | Model: CE-CN-WOK16



PREPARE YOUR STIR FRY DISHES WITH OMCAN'S 16" WOK RANGE!

Ideal for making wok dishes such as: stir fry dishes, sauteed vegetables, and much more. The compact size saves on space in your kitchen.



WARRANTY
PARTS AND LABOR



Authorized Dealer

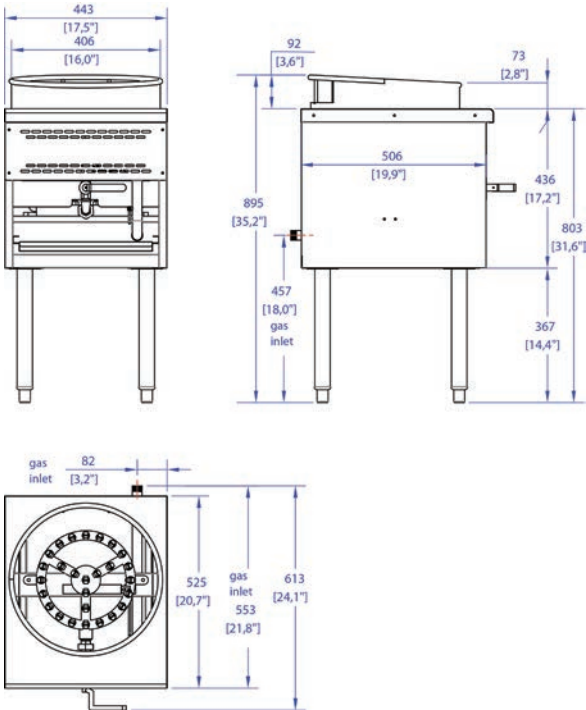
FOOD EQUIPMENT

16" WOK RANGE



TECHNICAL DRAWINGS & DIMENSIONS

*measurements in diagrams are in mm



TECHNICAL SPECIFICATIONS

Items	47686, 47687
Model	CE-CN-WOK16
Number Of Burners	1
BTU	125,000
Pre-Heat Time	5 minutes
Gas Type	Natural Gas, Liquid Propane
Cooking Area	16" diameter
Dimensions	17.5" x 24.1" x 35.2"
Gross Dimensions	18" x 22.8" x 25.6"
Weight	101 lbs / 46 kg
Gross Weight	134 lbs / 61kg
Conversion Kit Included	NO

FEATURES:

- Stainless steel front and cabinet base
- Jet burner with an adjustable gas valve
- Pilot ignition
- 16" work attachment, making stir-frying quick and easy
- 3/4" rear gas connection
- 5 minute pre-heat time



WARRANTY
PARTS AND LABOR



Manufactured for commercial installation only, not intended for home use.

OMCAN INC.

Telephone: 1-800-465-0234
 Fax: (905) 607-0234
 Email: sales@omcan.com
 Website: www.omcan.com



Follow us to keep up to date with the latest news and offers



2017E&OE