



FOOD EQUIPMENT

SERVING THE FOOD INDUSTRY SINCE 1951

ELITE SERIES ELECTRIC COUNTERTOP SINGLE BASKET DEEP FRYERS

Items: 47281, 47282 | Model: CE-CN-0401, CE-CN-0402

OMCAN'S ELITE SERIES COUNTERTOP DEEP FRYERS ARE PERFECT FOR SAVING SPACE AND SMALL TO MEDIUM APPLICATIONS



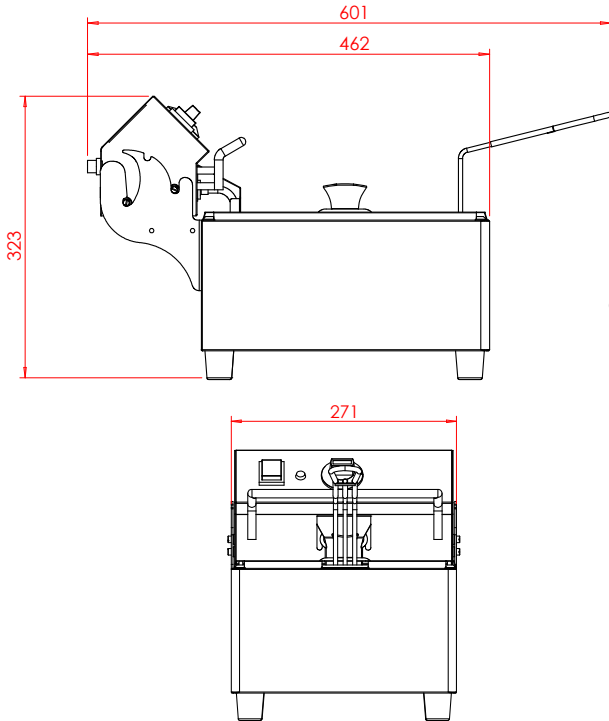
WARRANTY
PARTS AND LABOR



Authorized Dealer

TECHNICAL DRAWINGS & DIMENSIONS

*measurements in diagrams are in mm



TECHNICAL SPECIFICATIONS

Elite Series 10 lbs Capacity Electric Countertop Single Basket Deep Fryer

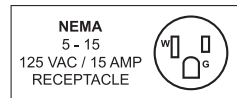
Item	47281
Model	CE-CN-0401
Electrical	120V / 60Hz / 1 Ph
Power	1.8 kW
Number of Fryer Baskets	1 (1 included)
Oil Capacity	10 lbs 4.5 kg
Temperature Range	175 - 390 °F 79.4 - 198.9 °C
Weight	14.3 lbs 6.5 kg
Gross Weight	18.1 lbs 8.2 kg
Basket Dimensions	Single Basket: 8.1" x 7.9" x 4.5" Double Basket: 8.1" x 3.9" x 4.5"
Dimensions (WDH)	10.7" x 18.2" x 12.7"
Gross Dimensions	22" x 13.8" x 16.9"

FEATURES:

- Ideal for small to medium applications
- Stainless steel
- Controlled by thermostat
- Thermostat control valves
- Temperature Range: 79.4 – 198.9 °C (175 – 390 °F)
- Comes with a fryer basket and lid



WARRANTY
PARTS AND LABOR



OMCAN INC.

Telephone: 1-800-465-0234
 Fax: (905) 607-0234
 Email: sales@omcan.com
 Website: www.omcan.com



Follow us to keep up to date with the latest news and offers

