



HANDLING AND STORAGE

SERVING THE FOOD INDUSTRY SINCE 1951

UTILITY CARTS



44679

44680

Omcans Utility Carts are sturdily constructed to endure tough everyday handling. Finished for easy cleaning. Great for supermarkets and various food service operations. Shipped knock-down.

(Two shelves are included. Additional shelf sold separately.)



WARRANTY



SHIPPED ON PALLET



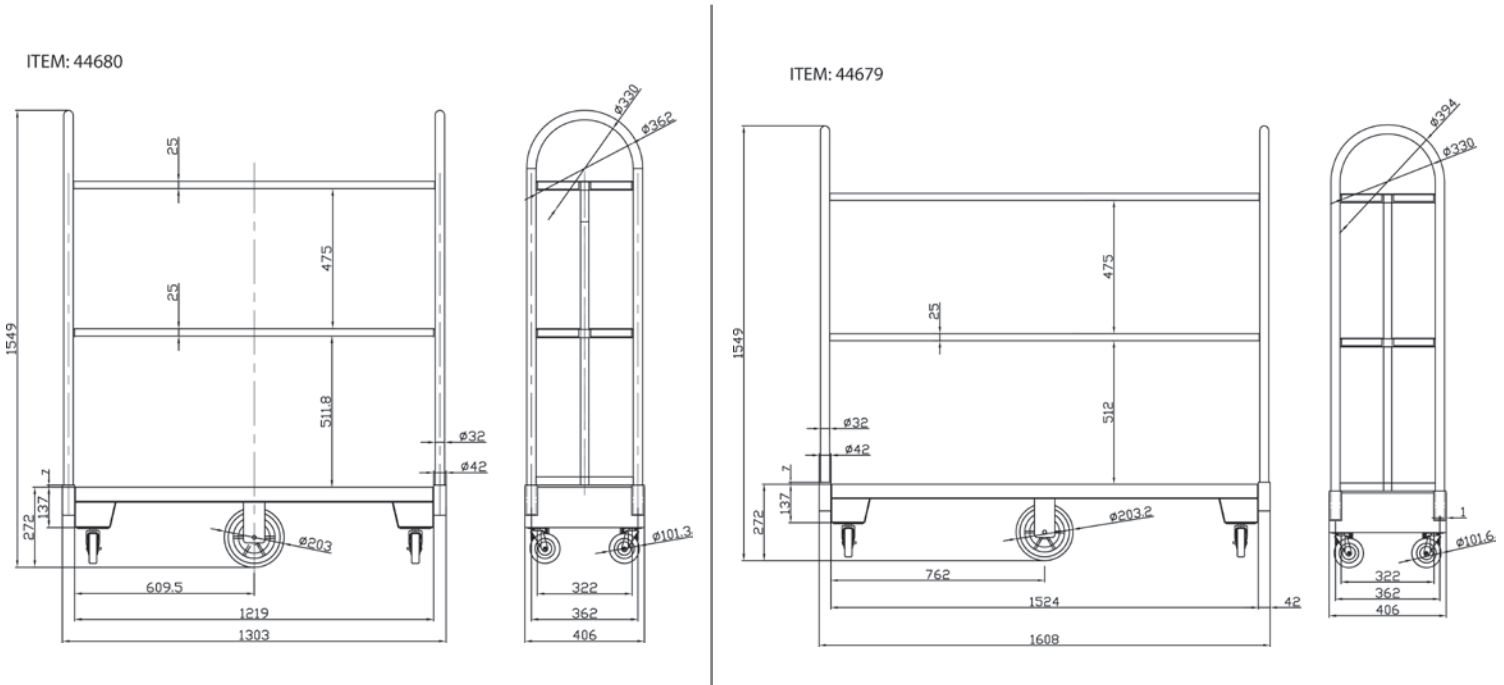
Authorized Dealer

HANDLING AND STORAGE

UTILITY CARTS 44680 / 44679



TECHNICAL DRAWING AND DIMENSIONS



TECHNICAL SPECIFICATIONS

ITEM	44680	44679
DESCRIPTION	Utility Cart Steel 16" x 48" (up to 3 shelves)	Utility Cart Steel 16" x 60" (up to 3 shelves)
LOAD CAPACITY	1500lb	2500lb
WEIGHT	60kg	68kg
GROSS WEIGHT	64kg	72kg
DIMENSIONS (DWH)	51" x 16" x 61" 1295 x 406 x 1549mm	63" x 16" x 61" 1600 x 16 x 1549mm
GROSS DIMENSIONS	54" x 17" x 9" 1375 x 435 x 240mm	63.6" x 18" x 9" 1615 x 465 x 240mm

OPTIONAL SHELVES

ITEM	44682	44681
DESCRIPTION	Shelf for Item 44680	Shelf for Item 44679
LOAD CAPACITY	250lb	450lb
WEIGHT	9.45kg 20.8 lbs.	15.6kg 34.4 lbs.
GROSS WEIGHT	11.45kg 24.2 lbs.	18.5kg 40.7 lbs.
DIMENSIONS	50.5" x 15" x 1" 1282.7 x 381 x 25.4mm	62.5" x 15" x 1" 1587.5 x 381 x 25.4mm
GROSS DIMENSIONS	50.7" x 15" x 1.2" 1290 x 390 x 30mm	62.5" x 15" x 1.2" 1590 x 390 x 30mm



OMCAN INC.

Telephone: 1-800-465-0234
 Fax: (905) 607-0234
 Email: sales@omcan.com
 Website: www.omcan.com



Follow us to keep up to date with the latest news and offers

