



SERVING THE FOOD INDUSTRY SINCE 1951

UNDER BAR SINKS

**WASH, RINSE, AND SANITIZE YOUR GLASSWARE
WITH OMCAN'S UNDER BAR SINKS.**

- 18 Gauge. 304 Stainless Steel top, bowl and back
- 20 Gauge. 304 Stainless Steel apron



WARRANTY



SHIPPED ON PALLET

*All under bar sinks
except item 44600*



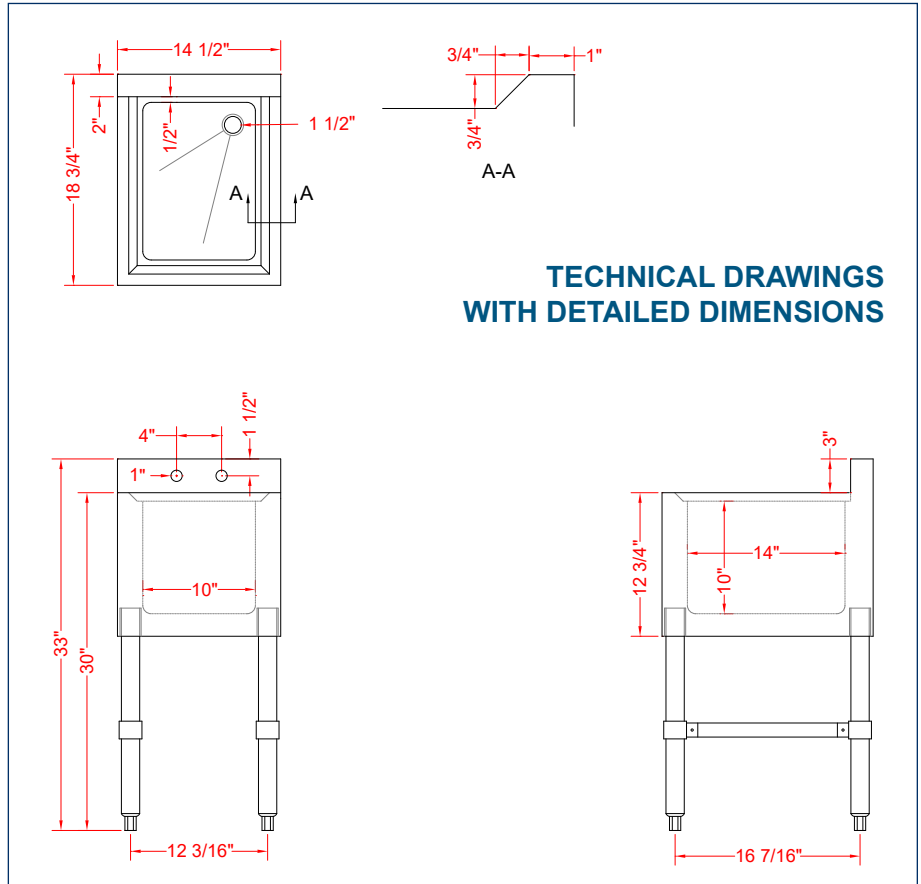
Authorized Dealer

TABLES AND SINKS

UNDER BAR SINK WITH 1 COMPARTMENT
AND NO DRAIN BOARD



- 1 compartment
- No drain board
- Compartment size: 10" x 14" x 10"
- 18GA.304S/S top, bowl and back
- 20GA.304S/S apron



TECHNICAL SPECIFICATIONS

ITEM	44600
MATERIAL	Stainless Steel
SIZE OF COMPARTMENT	10" x 14" x 10" / 254 x 355.6 x 254 mm
OVER-ALL DIMENSIONS (WDH)	18.75" x 14.5" x 33" / 476.25 x 368.3 x 838.2 mm
GROSS DIMENSIONS	19" x 16" x 15" / 482.6 x 406.4 x 381 mm
NET WEIGHT	35.2 lbs. / 16 kg.
GROSS WEIGHT	39.6 lbs. / 18 kg.

OMCAN INC.

Telephone: 1-800-465-0234
 Fax: (905) 607-0234
 Email: sales@omcan.com
 Website: www.omcan.com



Follow us to keep up to date with the latest news and offers



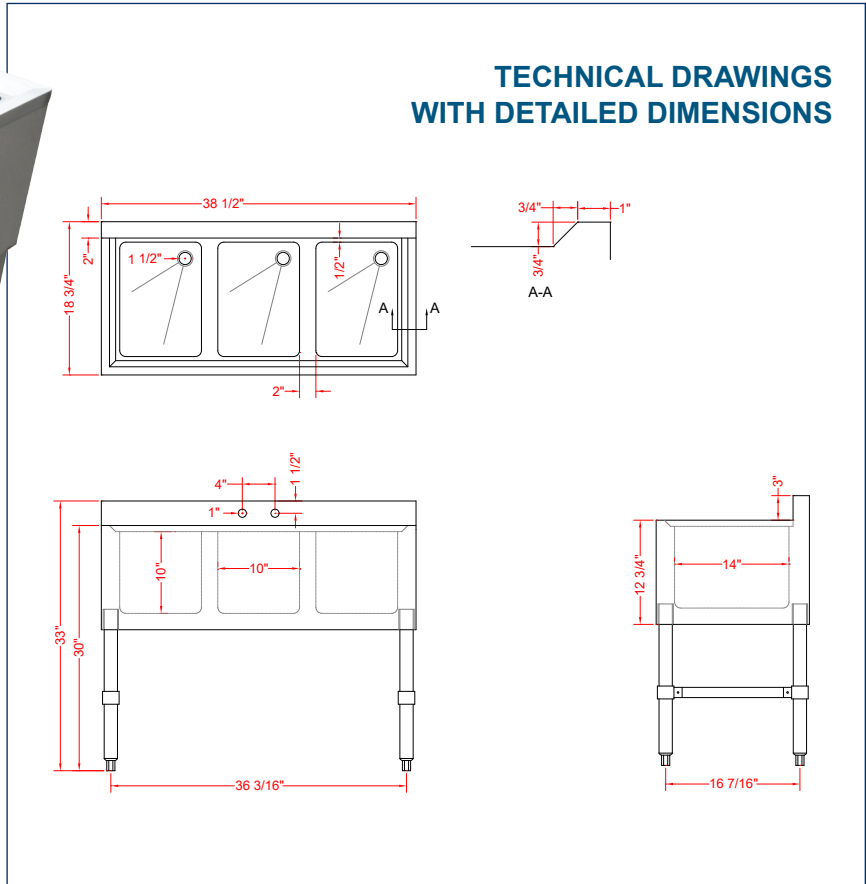
TABLES AND SINKS

UNDER BAR SINK WITH 3 COMPARTMENTS
AND NO DRAIN BOARD



- 3 compartments
- No drain board
- Compartment size: 10" x 14" x 10"
- 18GA.304S/S top, bowl and back
- 20GA.304S/S apron

TECHNICAL DRAWINGS WITH DETAILED DIMENSIONS



TECHNICAL SPECIFICATIONS

ITEM	44601
MATERIAL	Stainless Steel
SIZE OF COMPARTMENT	10" x 14" x 10" / 254 x 355.6 x 254 mm
OVER-ALL DIMENSIONS (WDH)	38.5" x 18.75" x 33" / 977.9 x 476.25 x 838.2 mm
GROSS DIMENSIONS	19" x 16" x 39" / 482.6 x 406.4 x 990.6 mm
NET WEIGHT	57.2 lbs. / 26 kg.
GROSS WEIGHT	64.9 lbs. / 29.4 kg.

OMCAN INC.

Telephone: 1-800-465-0234
 Fax: (905) 607-0234
 Email: sales@omcan.com
 Website: www.omcan.com



Follow us to keep up to date with the latest news and offers



WAREWASHING/HANDLING

UNDER BAR SINK WITH 3 COMPARTMENTS

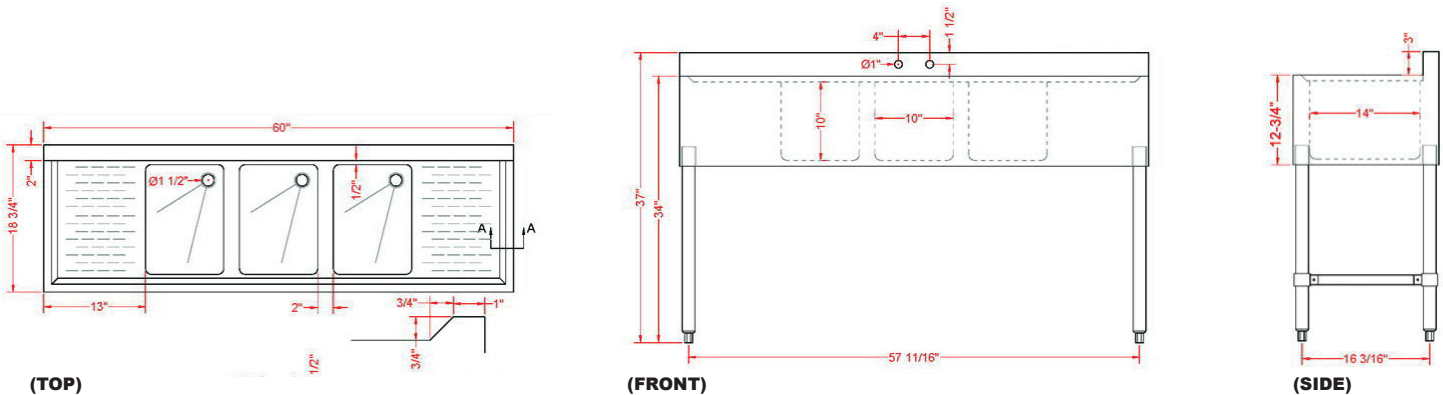


FEATURES



- Three compartments
- Two drain boards
- Gauge: 18
- Stainless Steel: 304
- Two 1"(Dia.) faucet holes are on center. 4" apart
- Shipped with legs removed

TECHNICAL SPECIFICATION



TECHNICAL SPECIFICATION

ITEM NUMBER	25274
DESCRIPTION	Under bar sink with 3 compartments & two drain boards
SIZE OF COMPARTMENT	10" x 14" x 10" / 254 x 355.6 x 254 mm
MATERIAL	Stainless Steel
WEIGHT	77 lbs/ 35 kg
DIMENSIONS (WDH)	60" x 18 3/4" x 37" / 1524 x 476.3 x 940 mm



LIMITED WARRANTY



OMCAN INC.

Telephone: 1-800-465-0234
 Fax: (905) 607-0234
 Email: sales@omcan.com
 Website: www.omcan.com



Follow us to keep up to date with the latest news and offers



2015.E.O.E

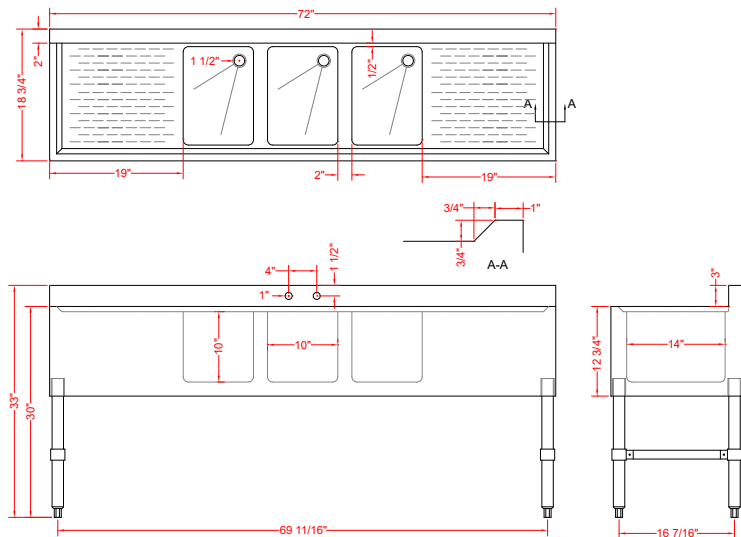
TABLES AND SINKS

UNDER BAR SINK WITH 3 COMPARTMENTS
AND TWO DRAIN BOARDS



- 3 compartments
- Two drain boards
- Compartment size: 10" x 14" x 10"
- 18GA.304S/S top, bowl and back
- 20GA.304S/S apron

TECHNICAL DRAWINGS WITH DETAILED DIMENSIONS



TECHNICAL SPECIFICATIONS

ITEM	44627
MATERIAL	Stainless Steel
SIZE OF COMPARTMENT	10" x 14" x 10" / 254 x 355.6 x 254 mm
OVER-ALL DIMENSIONS (WDH)	72" x 18.75" x 33" / 1828.8 x 476.25 x 838.2 mm
GROSS DIMENSIONS	19" x 16" x 73" / 482.6 x 406.4 x 1854.2 mm
NET WEIGHT	83.6 lbs. / 38 kg.
GROSS WEIGHT	97.9 lbs. / 44.4 kg.

OMCAN INC.

Telephone: 1-800-465-0234
 Fax: (905) 607-0234
 Email: sales@omcan.com
 Website: www.omcan.com



Follow us to keep up to date with the latest news and offers



2019.E.O.E

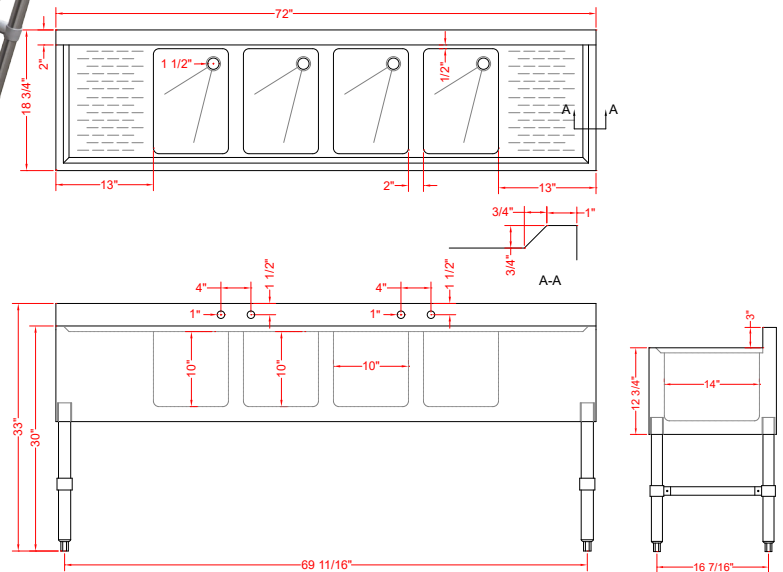
TABLES AND SINKS

UNDER BAR SINK WITH 4 COMPARTMENTS
AND TWO DRAIN BOARDS



- 4 compartments
- Two drain boards
- Compartment size: 10" x 14" x 10"
- 18GA.304S/S top, bowl and back
- 20GA.304S/S apron

TECHNICAL DRAWINGS WITH DETAILED DIMENSIONS



TECHNICAL SPECIFICATIONS

ITEM	44603
MATERIAL	Stainless Steel
SIZE OF COMPARTMENT	10" x 14" x 10" / 254 x 355.6 x 254 mm
OVER-ALL DIMENSIONS (WDH)	72" x 18.75" x 33" / 1828.8 x 476.25 x 838.2 mm
GROSS DIMENSIONS	19" x 16" x 73" / 482.6 x 406.4 x 1854.2 mm
NET WEIGHT	85.8 lbs. / 38.9 kg.
GROSS WEIGHT	100.1 lbs. / 45.4 kg.

OMCAN INC.

Telephone: 1-800-465-0234
 Fax: (905) 607-0234
 Email: sales@omcan.com
 Website: www.omcan.com



Follow us to keep up to date with the latest news and offers

