

**Self-stabilises on
uneven restaurant
and cafe surfaces.**

**Award winning
design.**



**GOOD
DESIGN
AWARD®
GOLD WINNER**



**reddot award 2017
winner**

**Patented
technology.**

**Simple, robust
mechanical design.**

**Mastering
stabilising
technology for
over 25 years.**

**Instant
stabilisation**

Trail 27



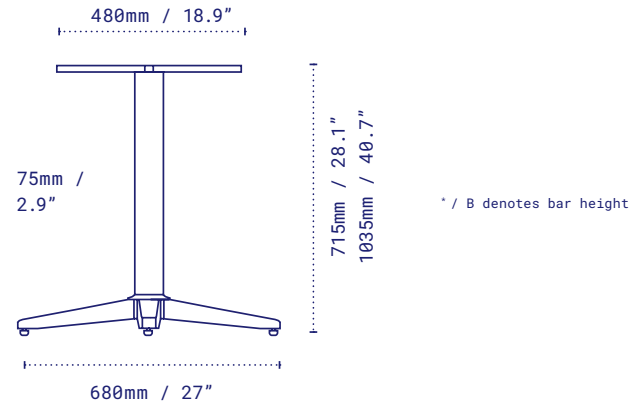
The NOROCK *Trail* self-stabilising table base exemplifies modern simplicity. The linear, clean design and concealed componentry complements a robust construction for use in any setting. With a special zinc coating, *Trail* is suitable for both indoor and outdoor applications.

DETAILS

Model	Trail
Part number	TRST27
Material	Zinc plated, powder coated steel
Base diameter	680mm - 27"
Style	Dining height / Bar height
Height excl. table top	715mm / 28.1" Dining 1035mm / 40.7" Bar
Column	75mm - 2.9"
Top plate	Fixed
Gross weight	16.9 lb
Net weight	13.6 lb
Carton measurement	600 x 600 x 100mm - 23.6 x 23.6 x 4"
Max recommended top size	860mm / 34" <input type="checkbox"/> Dining 1010mm / 40" <input type="radio"/> Dining 760mm / 30" <input type="checkbox"/> Bar 860mm / 34" <input type="radio"/> Bar



Bistrot 916, Sydney, Australia



Trail 30



The NOROCK *Trail* self-stabilising table base exemplifies modern simplicity. The linear, clean design and concealed componentry complements a robust construction for use in any setting. With a special zinc coating, *Trail* is suitable for both indoor and outdoor applications.

DETAILS

Model	Trail
Part number	TRST30
Material	Zinc plated, powder coated steel
Base diameter	760mm - 30"
Style	Dining height / Bar height
Height excl. table top	715mm / 28.1" Dining 1035mm / 40.7" Bar
Column	75mm - 2.9"
Top plate	Fixed
Gross weight	22.2 lb
Net weight	18.95 lb
Carton measurement	670 x 600 x 100mm - 25.4 x 23.6 x 4"
Max recommended top size	1010mm / 40" <input type="checkbox"/> Dining 1090mm / 43" <input type="radio"/> Dining 860mm / 34" <input type="checkbox"/> Bar 1010mm / 40" <input type="radio"/> Bar



Nando's, Reading, United Kingdom

