



(Tables not included)

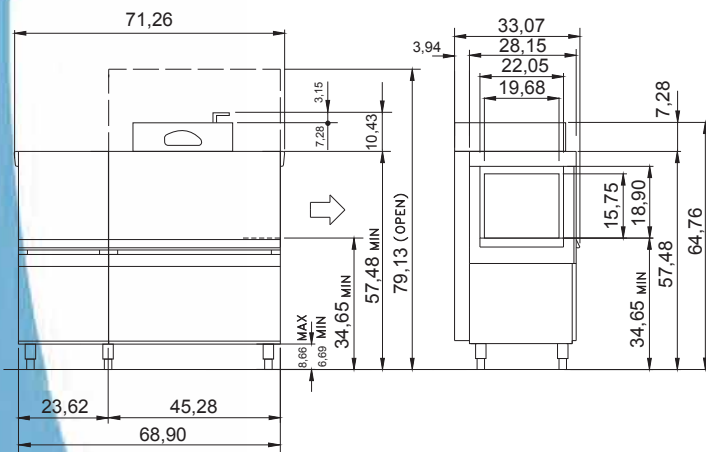
- Body and tank in stainless steel construction 18/10 AISI 304,
- Electronic controls that allow a complete control of the entire washing process,
- Tunnel composition:
  - 1 Pre-wash - wash arms : 3 upper + 1 lower
  - 1 Wash - wash arms : 3 upper + 2 lower
  - 1 Rinse - rinse arms : 1 upper + 1 lower
- Completely automatic,
- Pre-washing,
- Upper and lower fixed washing,
- Upper and lower fixed rinsing,
- Completely automatic,
- Washing and rinsing arms in stainless steel constructions, easy disassembly and interchangeable,
- Double skin with thermic and acoustic insulation
- Drawn washing tank with rounded edges,
- Stainless steel autodraining washing pump,
- The drain valve allows to automatically empty the tank simply by pressing a button,
- Counterbalanced door,
- Tank and pump filters,
- Insulated boiler,

# M150ED



## OPTIONS

- Steam condenser
- Heat recoverer
- Drying tunnel
- Heat pump
- Automati start
- Accessories and baskets/dishes handling system



Specifications	M150ED	
VOLTAGE	208/3ph - 60 Hz	
PRODUCTION (baskets/H)	vit.1=145	vit.2=210
	(dishes/H)	vit.1=2320
<b>PRE-WASHING</b>		
TANK CAPACITY	29	Lt
PUMP POWER	736	W
<b>WASHING</b>		
TANK CAPACITY	61	Lt
PUMP POWER	1500	W
TANK HEATING	6000	W
<b>RINSING</b>		
WATER CONSUMPTION	210	Lt/H
BOILER HEATING	33000	W
GEARED MOTOR	0.13	kW
<b>TOTAL RATING</b>		
WATER CONNECTION	131	°F
WATER PRESSURE	20±5	psi
WATER HARDNESS	5 ÷ 10	Th(°f)
RINSING WATER TEMPERATURE	180 ÷ 195	°F
WATER INLET	3/4"	"G
WATER OUTLET	1 1/2"	"G
NET WEIGHT	180	Kg
GROSS WEIGHT	68,90x33,07xH64,76	
NOISE LEVEL	<70	dB(A)

The manufacturer reserves the right to make modifications of materials and models without warning.