



Sandwich Prep Tables

KST SERIES

Project Name:	
Location:	
Item:	Qty:
Model:	



27"
KST-27-1



36"
KST-36-2



48"
KST-48-2



60"
KST-60-2



72"
KST-72-3



5659 Royalmount Ave.
 Montreal, QC, Canada H4P 2P9
 Telephone: 514.737.9701 / Toll Free: 888.275.4538
 Fax: 514.342.3854 / Toll Free: 877.453.8832
sales@mvpgroupcorp.com / mvpgroupcorp.com

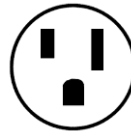
12000 Biscayne Blvd., Suite # 108
 Miami, FL, United States 33181
 Telephone: 786.600.4687 / Toll Free: 844.218.8477
 Fax: 786.661.4100

Sandwich Prep Tables

Model Number	Capacity (cubic feet)	Number of Doors	Number of Shelves	Number of Pans	HP	Amps	Net Weight (lbs.)	Shipping Weight (lbs.)	Shipping Dimensions (W x D x H in inches)
KST-27-1	7	1	1	8	1/5	3.3	157	187	28.9 x 34.1 x 42.3
KST-36-2	9.5	2	2	10	1/5	3.5	190	227	37.8 x 34.1 x 42.3
KST-48-2	13.1	2	2	12	1/3	5.5	216	280	49.7 x 34.1 x 42.3
KST-60-2	16.7	2	2	16	1/3	5.5	260	313	61.8 x 34.1 x 42.3
KST-72-3	20.2	3	3	18	1/3	6	298	360	73.8 x 34.1 x 42.3

These units are designed for maximum performance in an air-conditioned area of 75°F ambient temperature and 55% relative humidity. There must be adequate ventilation at the top, sides & rear of the unit for proper operation.

Warranty: 36 months parts & labor. Additional 24 months on compressor (part only).



115V / 60 Hz / 1
NEMA 5 – 15P
DEDICATED CIRCUIT

Durable Design

- Created to endure the everyday stress of the commercial kitchen environment, to protect your long term investment and guarantee superior food preservation
- Coated evaporator coil
- 1 height adjustable, heavy-duty, PE coated wire shelf per door
- Spring loaded, self closing doors
- Door swing is field reversible on 27" units (part KB-5246 required)
- Removable, easy to clean 9.5" cutting board
- Simple plug-in installation

Energy Efficient

- Self-closing door with stay open feature
- Seals tight with magnetic vinyl gasket
- Foamed-in place high-density polyurethane insulated body, CFC-Free
- Environmentally friendly R-134a refrigerant
- 1" thick insulated lids

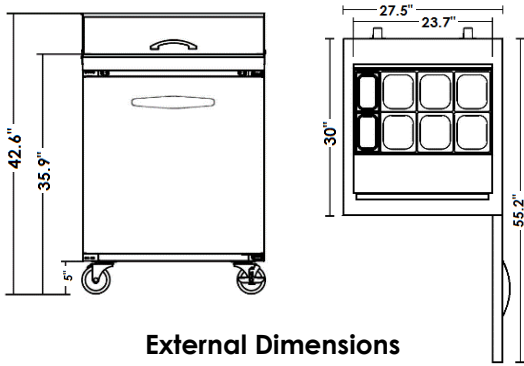
Superior Quality

- Designed for mobility, reliability & efficiency in commercial kitchens
- 4" swivel casters with 2 front brakes
- 36" high working surface
- Easy grip door handle(s)
- Entirely self-contained system
- Forced air refrigeration
- Automatic defrost system
- Easily adjustable shelf height
- Stainless steel interior & exterior
- 1/6 x 4" size polycarbonate food pans included (can accommodate 6" pans)
- 1/9 x 4" size polycarbonate food pans included (on KST-27-1 only)

KST Series Sandwich Prep Tables

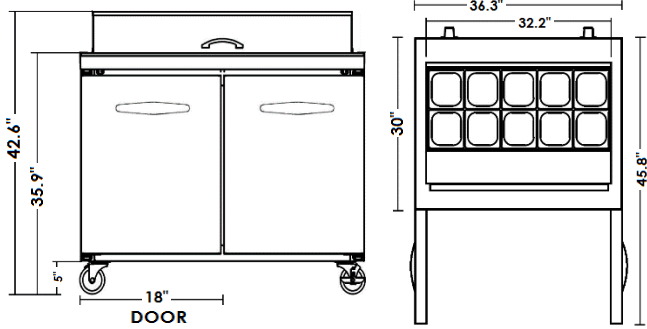
Temperature range : 33°F to 40°F

27"
KST-27-1



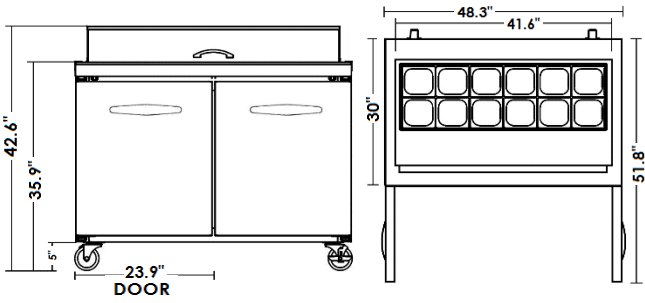
External Dimensions
27.5 x 30 x 42.6 (W" x D" x H")

36"
KST-36-2



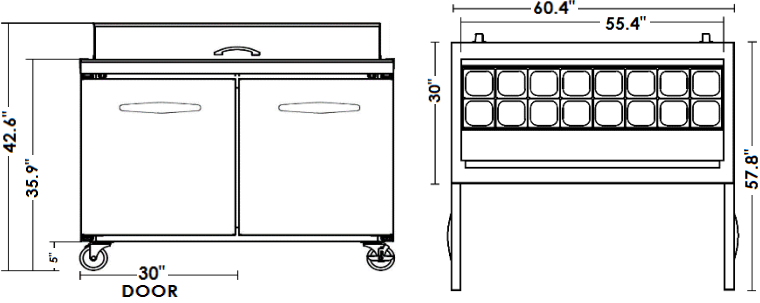
External Dimensions
36.4 x 30 x 42.6 (W" x D" x H")

48"
KST-48-2



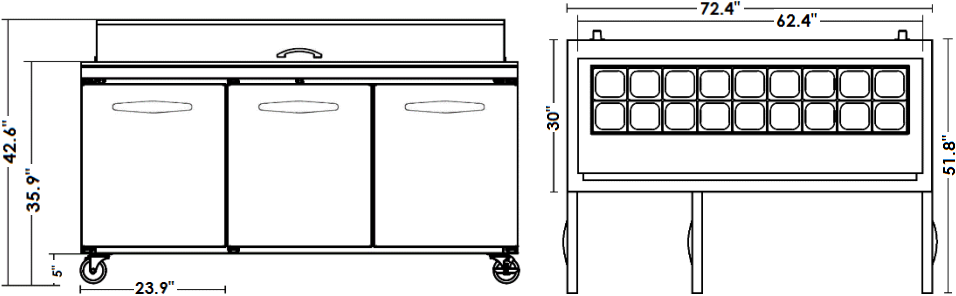
External Dimensions
48.4 x 30 x 42.6 (W" x D" x H")

60"
KST-60-2



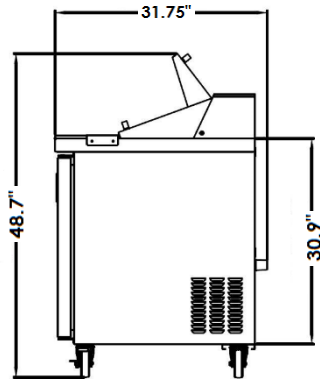
External Dimensions
60.4 x 30 x 42.6 (W" x D" x H")

72"
KST-72-3



External Dimensions
72.4 x 30 x 42.6 (W" x D" x H")

Side View of all Sandwich Prep Tables



5659 Royalmount Ave.
Montreal, QC, Canada H4P 2P9
Telephone: 514.737.9701 / Toll Free: 888.275.4538
Fax: 514.342.3854 / Toll Free: 877.453.8832
sales@mvpgroupcorp.com / mvpgroupcorp.com

12000 Biscayne Blvd., Suite # 108
Miami, FL, United States 33181
Telephone: 786.600.4687 / Toll Free: 844.218.8477
Fax: 786.661.4100

KOOL-IT is a registered trademark of MVP Group.
Specifications subject to change without notice.