

Durable Design

- Elegant slanted double paned front glass
- Front, sides and doors are tempered glass
- Inside deck is stainless steel finish
- Stainless steel shelf
- Forced air refrigeration

Energy Efficiency

- All units utilize R134a refrigerant which is CFC and HCFC free
- The cabinet is filled with high density polyurethane insulation
- LED interior lighting

Superior Quality

- Removable sliding rear doors for easy access
- Product stop on shelf
- Easy to use digital display temperature control panel
- Anti-condensate system for front glass



Refrigerated Display Cases

Can be used as a countertop display or as a drop-in display

KCD-36 and KCD-48



| Model Number | Description | Capacity (cubic feet) | External Dimensions w/handle (W x D x H in) | Compressor Size | Voltage / Frequency | Amps | Working Temp | Refrigerant | Shipping Dimensions (WxDxH) | Ship Weight (lbs) |
|--------------|---------------------|-----------------------|---|-----------------|---------------------|------|--------------|-------------|-----------------------------|-------------------|
| KCD-36 | Counter top Display | 5.15 | 35.4 x 19.6 x 29.1 | ¼ HP | 115/60/1 | 4.63 | 36-40°F | R134A | 38x22.5x36 | 276 |
| KCD-48 | Counter top Display | 7.0 | 47.2 x 19.6 x 29.1 | ¼ HP | 115/60/1 | 5.13 | 36-40°F | R134A | 50x22.5x36 | 331 |



Intertek



Intertek



NEMA
5-15P
Dedicated
Circuit

| | |
|---------------|------|
| Project Name: | |
| Location: | |
| Item: | Qty: |
| Model: | |

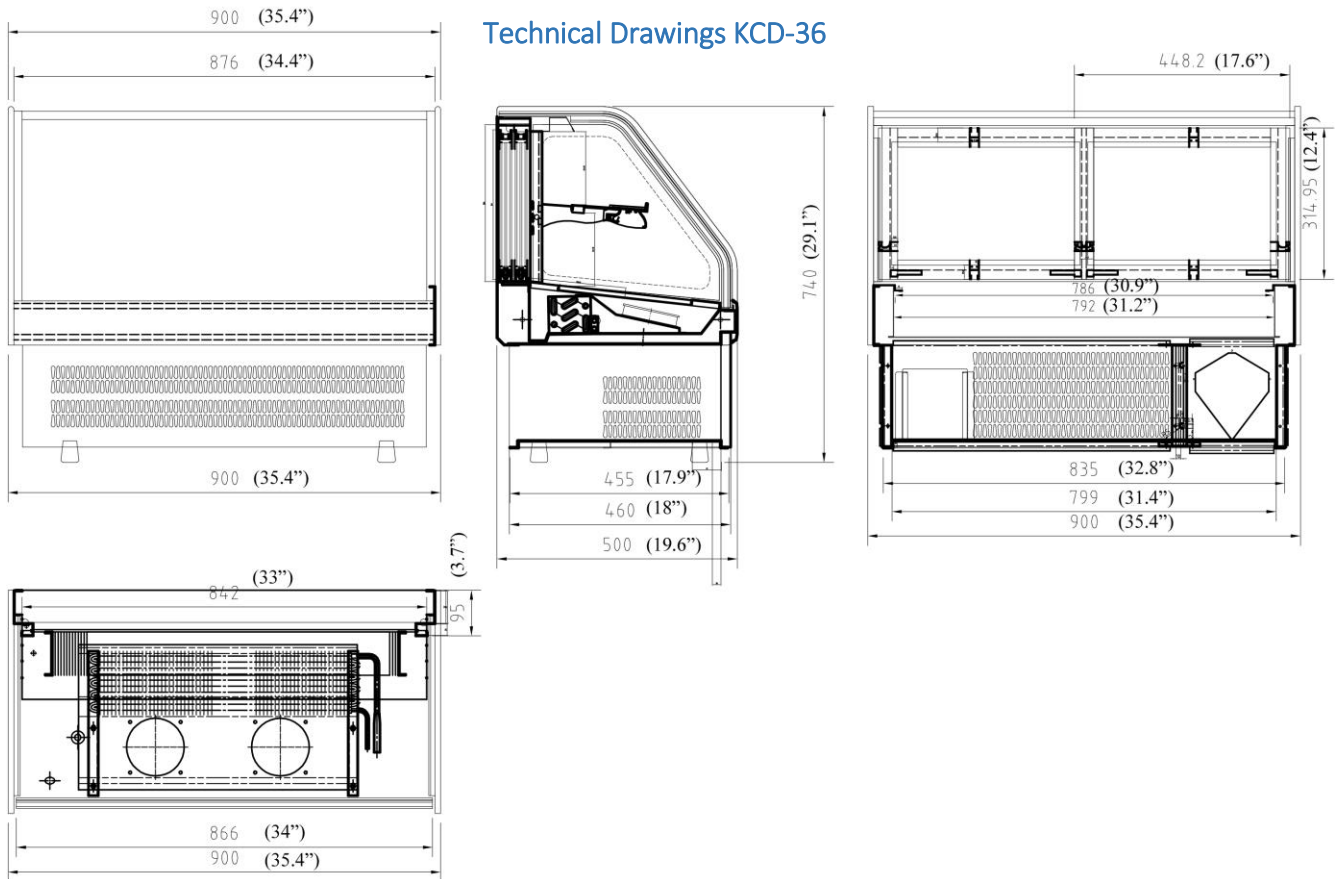


5659 Royalmount Ave.
Montreal, QC, Canada H4P 2P9
Telephone: 514.737.9701 / Toll Free: 888.275.4538
Fax: 514.342.3854 / Toll Free: 877.453.8832
sales@mvpgroupcorp.com / mvpgroupcorp.com

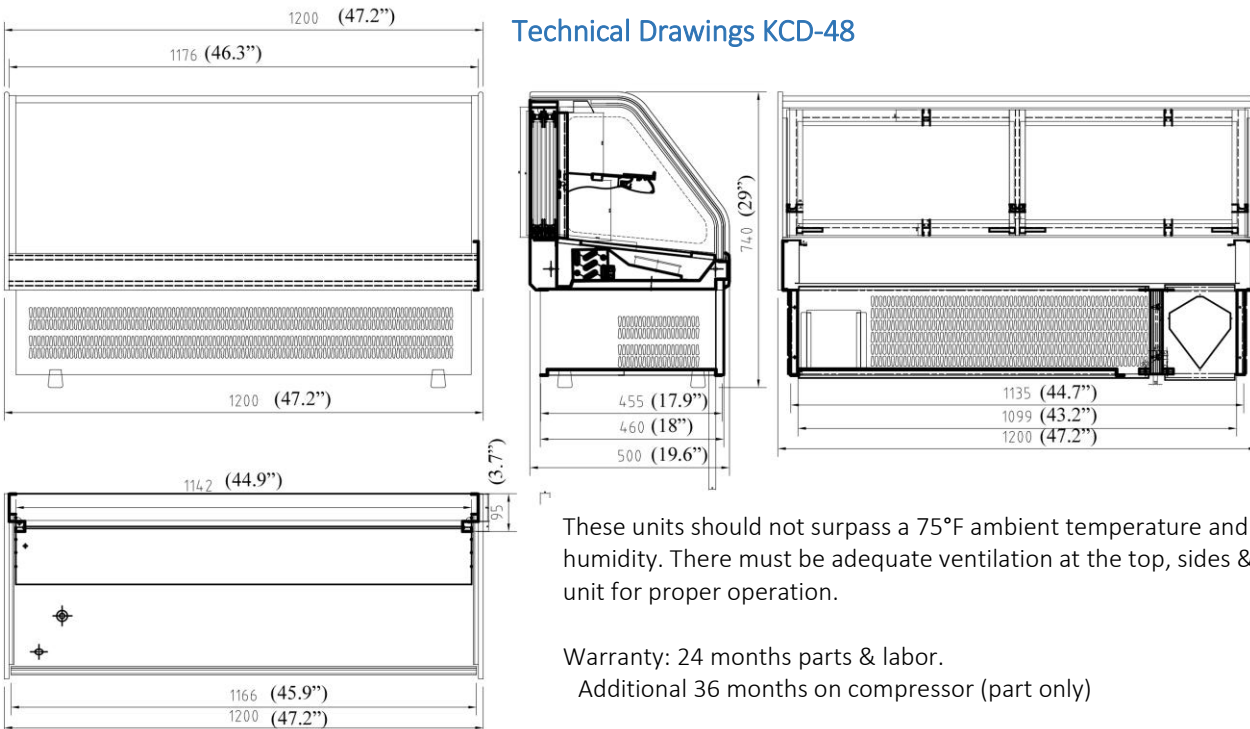
12000 Biscayne Blvd., Suite # 108
Miami, FL, United States 33181
Telephone: 786.600.4687 / Toll Free: 844.218.8477
Fax: 786.661.4100



Technical Drawings KCD-36



Technical Drawings KCD-48



These units should not surpass a 75°F ambient temperature and 55% relative humidity. There must be adequate ventilation at the top, sides & rear of the unit for proper operation.

Warranty: 24 months parts & labor.

Additional 36 months on compressor (part only)

KOOL-IT is a registered trademark of MVP Group. Specifications subject to change without



5659 Royalmount Ave.
 Montreal, QC, Canada H4P 2P9
 Telephone: 514.737.9701 / Toll Free: 888.275.4538
 Fax: 514.342.3854 / Toll Free: 877.453.8832
 sales@mvpgroupcorp.com / mvpgroupcorp.com

12000 Biscayne Blvd., Suite # 108
 Miami, FL, United States 33181
 Telephone: 786.600.4687 / Toll Free: 844.218.8477
 Fax: 786.661.4100