



SERVING THE FOOD INDUSTRY SINCE 1951

# JUNEAU

## Undercounter Freezer

Item: 58011 | 58013 | 58015 | 58017 | 58019



### KEY FEATURES

- Intelligent Digital Temperature Controller: Precise control temperature based on user demand
- Stable High Efficient Refrigeration System (back mounted): Keep food fresh at required temperature at
- Environment-friendly Refrigerant R290: CFC free refrigerant, more efficient than other refrigerant
- Adjustable Shelves: Heavy-duty PVC coated shelves
- Internal Round Corner Design: No water leaking, easy for cleaning, ensure the food safety
- Pre-installed Lockable Castors: Heavy-duty 4 castors, 2 with brake
- Interior Food Grade 304 Stainless Steel ensures the food safety

Telephone: 1-800-465-0234

Fax: (905) 607-0234

Email: sales@omcan.com

Website: www.omcan.com



Authorized Dealer



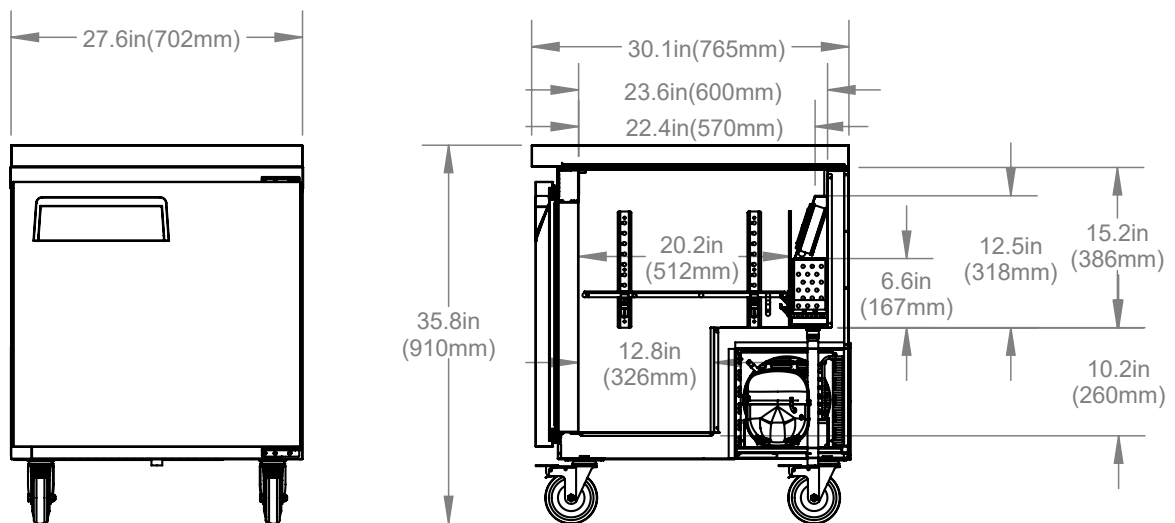
## SPECIFICATION

27 in. Freezer	
Item	58011
Model	FR-TH-0686-HC
Door Number	1
Net Volume	3.4 cu.ft / 95L
Electrical	115V / 60Hz / 1Ph
Power	780W
Cooling system	Fan cooling (ventilated)
Material	Stainless Steel
Refrigeration temperature range	-8~0°F/ -22~18°C
Temperature controller	Elitech
Climate Type	ST
Refrigerant	R290
Casters	4 wheels (2 with brakes)
Lock	NO
Net Dimension (WDH)	27.6 x 30.1 x 35.9 in 702 x 765 x 913 mm



## DIMENSIONS

(Measurements in diagrams are in inches)



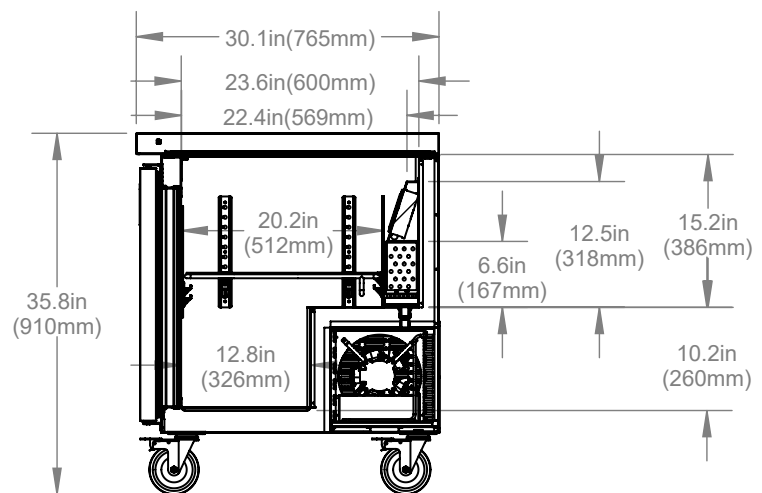
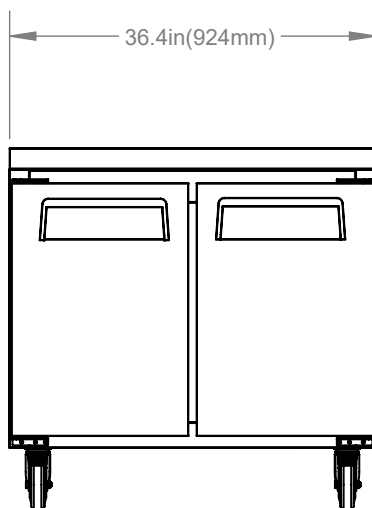
## SPECIFICATION

36 in. Freezer	
Item	58013
Model	FR-TH-0008-HC
Door Number	2
Net Volume	4.9 cu.ft / 138L
Electrical	115V / 60Hz / 1Ph
Power	780W
Cooling system	Fan cooling (ventilated)
Material	Stainless Steel
Refrigeration temperature range	-8~0°F/ -22~18°C
Temperature controller	Elitech
Climate Type	ST
Refrigerant	R290
Casters	4 wheels (2 with brakes)
Lock	NO
Net Dimension (WDH)	36.4 x 30.1 x 35.9 in 924 x 765 x 913 mm



## DIMENSIONS

(Measurements in diagrams are in inches)



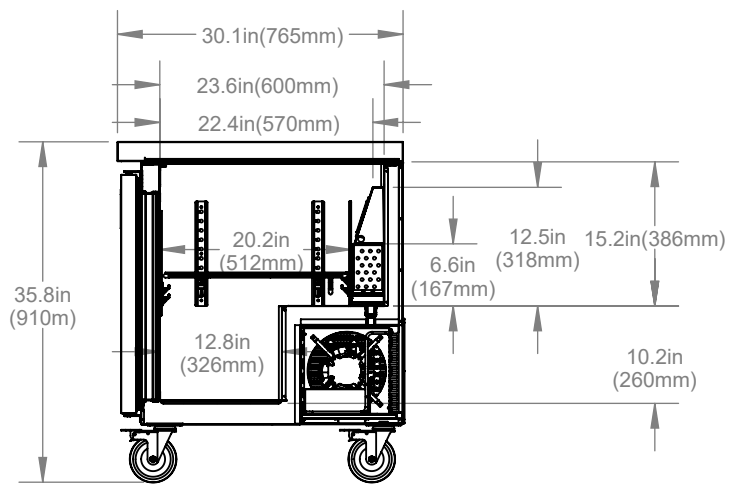
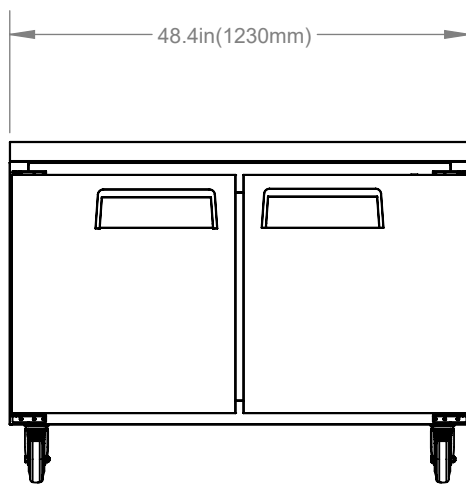
## SPECIFICATION

48 in. Freezer	
Item	58015
Model	FR-TH-1219-HC
Door Number	2
Net Volume	6.7 cu.ft / 187L
Electrical	115V / 60Hz / 1Ph
Power	780W
Cooling system	Fan cooling (ventilated)
Material	Stainless Steel
Refrigeration temperature range	-8~0°F/ -22~18°C
Temperature controller	Elitech
Climate Type	ST
Refrigerant	R290
Casters	4 wheels (2 with brakes)
Lock	NO
Net Dimension (WDH)	48.4 x 30.1 x 35.9 in 1230 x 765 x 913 mm



## DIMENSIONS

(Measurements in diagrams are in inches)



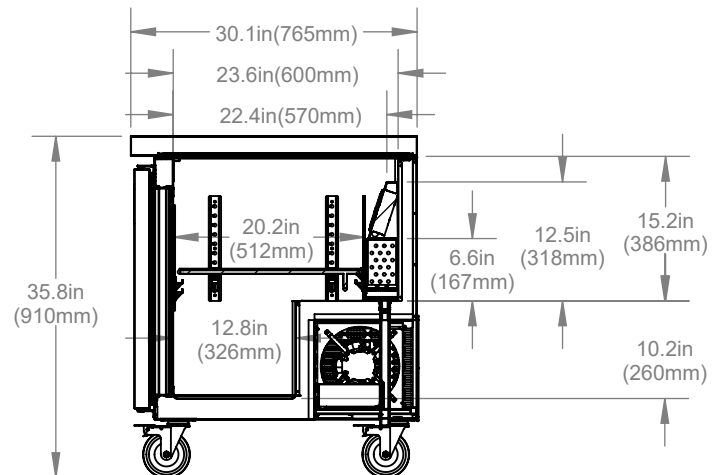
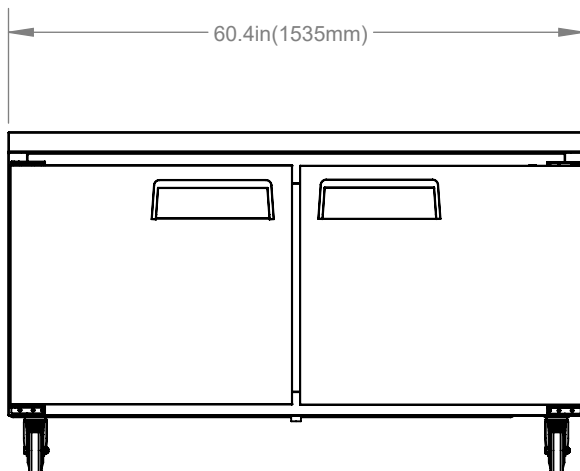
## SPECIFICATION

60 in. Freezer	
Item	58017
Model	FR-TH-1524-HC
Door Number	2
Net Volume	8.9 cu.ft / 249L
Electrical	115V / 60Hz / 1Ph
Power	780W
Cooling system	Fan cooling (ventilated)
Material	Stainless Steel
Refrigeration temperature range	-8~0°F/ -22~18°C
Temperature controller	Elitech
Climate Type	ST
Refrigerant	R290
Casters	4 wheels (2 with brakes)
Lock	NO
Net Dimension (WDH)	60.4 x 30.1 x 35.9 in 1535 x 765 x 913 mm



## DIMENSIONS

(Measurements in diagrams are in inches)



## SPECIFICATION

72 in. Freezer	
Item	58019
Model	FR-TH-1829-HC
Door Number	3
Net Volume	11 cu.ft / 308L
Electrical	115V / 60Hz / 1Ph
Power	780W
Cooling system	Fan cooling (ventilated)
Material	Stainless Steel
Refrigeration temperature range	-8~0°F/ -22~18°C
Temperature controller	Elitech
Climate Type	ST
Refrigerant	R290
Casters	4 wheels (2 with brakes)
Lock	NO
Net Dimension (WDH)	72.4 x 30.1 x 35.9 in 1840 x 765 x 913 mm



## DIMENSIONS

(Measurements in diagrams are in inches)

