



SERVING THE FOOD INDUSTRY SINCE 1951

JUNEAU

ITEM:	58005	58006	58007	58008	58009
MODEL:	PT-TH-0686-HC	PT-TH-0920-HC	PT-TH-1194-HC	PT-TH-1524-HC	PT-TH-1778-HC

Refrigerated Prep Tables



58005



58006



58007



58008



58009

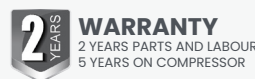
High Performance and Quality Refrigerated Prep Table.

This Refrigerated Sandwich/ Salad Prep Table helps you to create your signature sandwiches and salads fast and easy.

With its spacious working area, this refrigerated prep table gives you room to store extra ingredients as well. It uses Hydro-Carbon R290 refrigerant which is environmentally friendly and more efficient.

FEATURES:

- **Intelligent Digital Temperature Controller**
Precise control temperature based on user demand
- **Stable High Efficient Refrigeration System (back mounted)**
Keep food fresh at required temperature, easy pull out for maintenance and cleaning
- **Environment-friendly Refrigerant R290**
CFC free refrigerant, more efficient than other refrigerant
- **Adjustable Shelves**
Heavy-duty PVC coated shelves
- **Internal Round Corner Design**
No water leaking, easy for cleaning, ensure the food safety
- **Pre-installed Lockable Castors**
Heavy-duty 4 castors, 2 with brake
- **Interior Food Grade 304 Stainless Steel**
Ensure the food safety

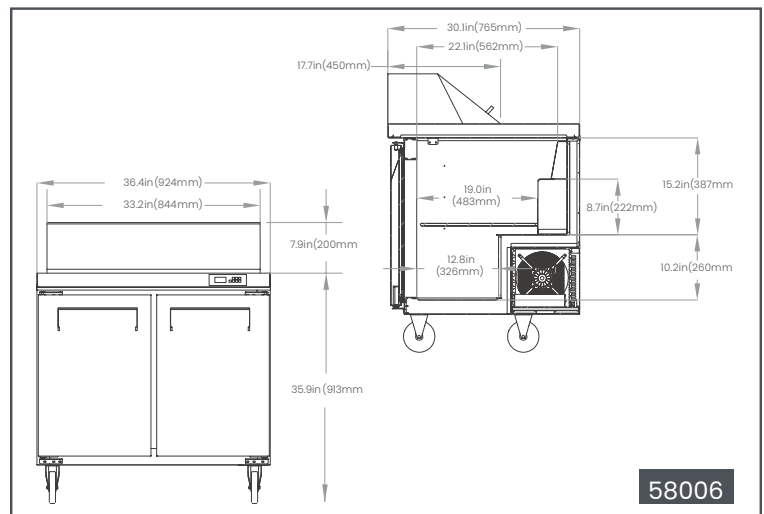
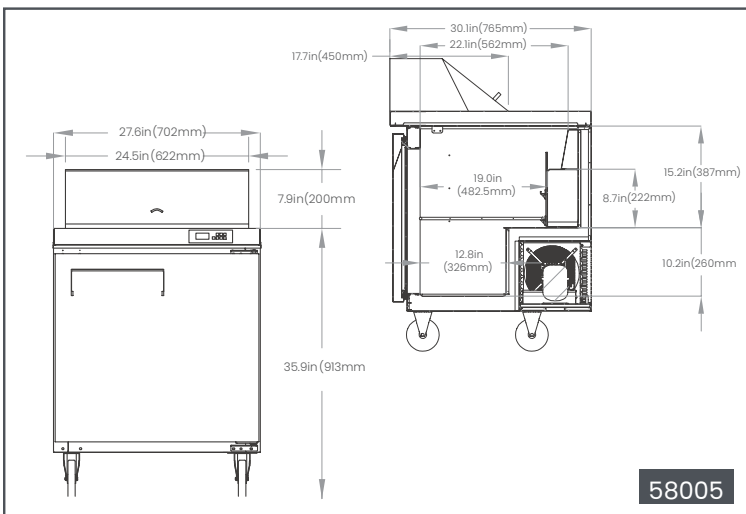


ITEM:	58005	58006
MODEL:	PT-TH-0686-HC	PT-TH-0920-HC

TECHNICAL SPECIFICATION

Features	27.6" wide with 3.4 cu.ft. / 95 L capacity	36.4" wide with 4.9 cu.ft. / 138 L capacity
Item	58005	58006
Model	PT-TH-0686-HC	PT-TH-0920-HC
Capacity	3.4 cu.ft. / 95 L	4.9 cu.ft. / 138 L
Number of GN Pans	1/6 (6pcs) + 1/9 (2pcs)	1/6 (10pcs)
Number of Doors	1	2
Number of Shelves	1	2
Number of Casters	4 wheels, 2 with brake	4 wheels, 2 with brake
Lock	NO	NO
Door Handle	Optional	Optional
Temperature Controller	Elitech	Elitech
Temperature Range	0.5 ~ 4°C / 33 ~ 40°C	0.5 ~ 4°C / 33 ~ 40°C
Power	510 W	510 W
Electrical	115V / 60Hz / 1Ph	115V / 60Hz / 1Ph
Refrigerant	R290	R290
Type of Climate	ST	ST
Defrosting	Automatic	Automatic
Cooling Type	Ventilated	Ventilated
Net Weight	187.4 lb. / 85 kg.	220.5 lb. / 100 kg.
Exterior Dimensions (WDH)	27.6" x 30.1" x 43.8" / 702 x 765 x 1,113 mm	36.4" x 30.1" x 43.8" / 924 x 765 x 1,113 mm
Gross Weight	255.7 lbs. / 116 kg	286.6 lb. / 130 kg.
Gross Dimensions (WDH)	32.3" x 34.6" x 45.7" / 820 x 880 x 1,160 mm	41.4" x 34.6" x 45.7" / 1052 x 880 x 1160 mm

TECHNICAL DRAWING



ITEM:	58007	58008	58009
MODEL:	PT-TH-1194-HC	PT-TH-1524-HC	PT-TH-1778-HC

TECHNICAL SPECIFICATION

Features	48.4" wide with 6.7 cu.ft. / 187 L capacity	60.4" wide with 8.9 cu.ft. / 249 L capacity	72.4" wide with 11 cu.ft. / 308 L capacity
Item	58007	58008	58009
Model	PT-TH-1194-HC	PT-TH-1524-HC	PT-TH-1778-HC
Capacity	6.7 cu.ft. / 187 L	8.9 cu.ft. / 249 L	11 cu.ft. / 308 L
Number of GN Pans	1/6 (12pcs)	1/6 (16pcs)	1/6 (18pcs)
Number of Doors	2	2	3
Number of Shelves	2	2	3
Number of Casters	4 wheels, 2 with brake	4 wheels, 2 with brake	4 wheels, 2 with brake
Lock	NO	NO	NO
Door Handle	Optional	Optional	Optional
Temperature Controller	Elitech	Elitech	Elitech
Temperature Range	0.5 ~ 4°C / 33 ~ 40°C	0.5 ~ 4°C / 33 ~ 40°C	0.5 ~ 4°C / 33 ~ 40°C
Refrigerant	R290	R290	R290
Type of Climate	ST	ST	ST
Defrosting	Automatic	Automatic	Automatic
Cooling Type	Ventilated	Ventilated	Ventilated
Power	510 W	510 W	510 W
Electrical	115V / 60Hz / 1Ph	115V / 60Hz / 1Ph	115V / 60Hz / 1Ph
Net Weight	271 lb. / 123 kg.	319 lb. / 145 kg.	378 lb. / 172 kg.
Exterior Dimensions (WDH)	48.4" x 30.1" x 43.8" / 1230 x 765 x 1,113 mm	60.4" x 30.1" x 43.8" / 1535 x 765 x 1,113 mm	72.4" x 30.1" x 43.8" / 1840 x 765 x 1,113 mm
Gross Weight	394 lb. / 179 kg.	451 lb. / 205 kg.	531 lb. / 233 kg.
Gross Dimensions (WDH)	52" x 34.6" x 45.6" / 1320 x 880 x 1160 mm	65.4" x 34.6" x 45.6" / 1660 x 880 x 1160 mm	75.6" x 34.6" x 45.6" / 1920 x 880 x 1160 mm

TECHNICAL DRAWING

