



Outperform every day.™

Project:
Item Number:
Quantity:

Convertible Conveyor Toasters - 300-900 Slices Per Hour*

The Vollrath Company, L.L.C.

CONVERTIBLE CONVEYOR TOASTERS - 300-900 SLICES PER HOUR* (MODELS JT2HC AND JT3HC)



ITEMS

Item No.	Model No.	Conveyor Width	Voltage	Slices Per Hour* (Up to)
CVT4-120300	JT2HC	10½" (26.7 cm)	120	300
CVT4-208550			208	550
CVT4-220550			220	550
CVT4-240550			240	550
CVT4-208900	JT3HC	14½" (36.8 cm)	208	900
CVT4-220900			220	900
CVT4-240900			240	900

FEATURES

- Stainless steel and aluminized steel construction.
- Easily converts from conveyor toaster to pass-through toaster.
- Variable speed control allows for real-time adjustments.
- Variable top and bottom heat control.
- Adjustable product openings offers additional heat control.
- Forced convection toasting promotes uniform results and energy efficiency.
- Energy efficient, fast reacting, quartz heaters.
- Standby mode saves up to 75 percent energy during slow periods when unit is not in use and allows machine to quickly return to full power.
- Adjustable legs.
- High-quality components, including heavy-duty drive chain.
- High-temperature bearings ensure smooth operation and do not require lubrication.
- High-quality, insulated wires help prevent against dry rotting and cracking.
- High-temperature thermoplastic terminal blocks with stainless steel clamping provides superior connections; designed for ease of serviceability.
- Maintenance-free drive system; stainless steel drive chain does not require lubrication.
- Fan control switch senses temperature of unit and keeps fan running until unit is completely cool.
- 4½ ft. (1.4 m) cord with plug.
- Made in the USA.

DESCRIPTION

Vollrath's Convertible Conveyor Toasters quickly and easily convert from standard toaster to pass-through, offering the benefit of two units in the footprint of one. They provide the flexibility for medium volume restaurants to toast bread and bagels as well as toast sandwiches and melt cheese in one unit. Independent speed and heat controls and Standby Mode for each chamber for added versatility and energy efficiency.

WARRANTY

- Warrantied parts: The warranty period is 2 year parts, 1 year labor.
- Heater tubes: The warranty period is 1 year parts and labor. Heater tube glass damage is not covered by this warranty.
- For full warranty details, please refer to www.Vollrath.com.

AGENCY LISTING



* Slices per hour is based on maximum conveyor speed. Conveyor speed determines toasting time and affects color and texture of the toast. Results may vary based upon type of bread, color and texture preference.

Due to continued product improvement, please consult www.vollrath.com for current product specifications.

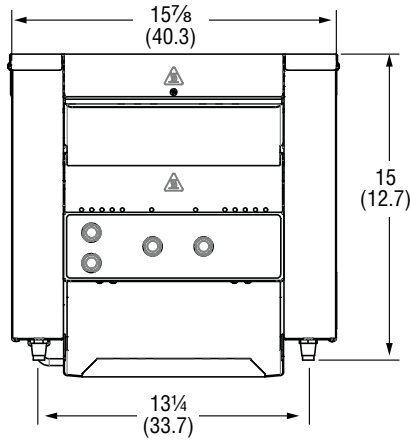
CLEARANCE AND ENVIRONMENT REQUIREMENTS

- Do not place on surfaces or near walls, partitions or kitchen furniture unless they are made of non-combustible material or clad with non-combustible heat-insulating material. Toasters must not be used near or below curtains and other combustible materials.
- Maximum ambient temperature: 104° F (40° C).

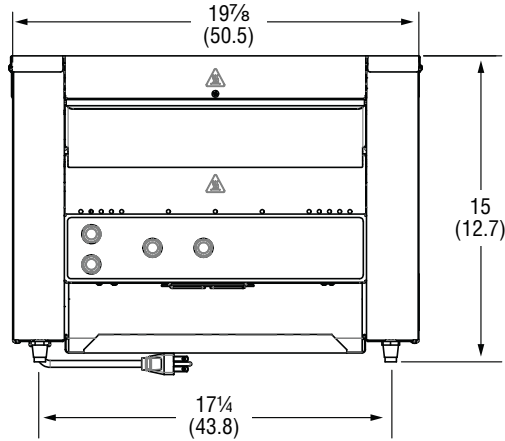
Approvals	Date

CONVERTIBLE CONVEYOR TOASTERS - 300-900 SLICES PER HOUR* (MODELS JT2HC AND JT3HC)

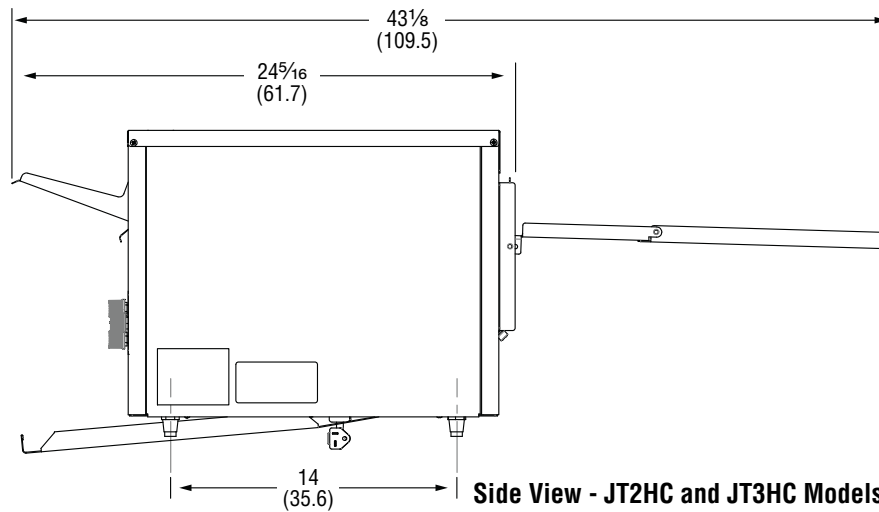
DIMENSIONS (Shown in inches (cm))



Front View - JT2HC Models



Front View - JT3HC Models

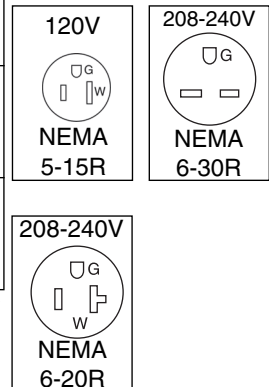


Side View - JT2HC and JT3HC Models

SPECIFICATIONS

Item No.	Model	Slices per Hour (Up to)*	Conveyor Width In (CM)	Product Clearance In (CM)	Voltage	Watts	Amps	Hertz	Weight	Plug
CVT4-120300	JT2HC	300	10 1/2 (26.7)	Adjustable 1 1/2 (3.8) to 3 (7.6)	120	1700	14.2	60	45 (20.4)	NEMA 5-15P
CVT4-208550		550			208		13.5		65 (29.5)	NEMA 6-20P
CVT4-220550					220		12.7			NEMA 6-30P
CVT4-240550					240		11.7			
CVT4-208900	JT3HC		900		14 1/2 (36.8)	208	17.3			NEMA 6-30P
CVT4-220900		220				16.4				
CVT4-240900		240				15				

Receptacles



* Slices per hour is based on maximum conveyor speed. Conveyor speed determines toasting time and affects color and texture of the toast. Results may vary based upon type of bread, color and texture preference.



Outperform every day.™

www.vollrath.com

The Vollrath Company, L.L.C.
 1236 North 18th Street
 Sheboygan, WI 53081-3201 U.S.A.
 Main Tel: 800.624.2051 or 920.457.4851
 Main Fax: 800.752.5620 or 920.459.6573
 Customer Service: 800.628.0830
 Canada Customer Service: 800.695.8560

Technical Services
 techservicereps@vollrathco.com
 Toasters: 1.800.309.2250
 All Other Products: 1.800.628.0832