

# Amana® Commercial

Project #: \_\_\_\_\_

Item #: \_\_\_\_\_



Left to right: HDC window door style and HDC solid door style (HDC18SD2)

## Heavy Volume Amana® Commercial HDC Series

### Power Output

- 1200-2100 Watts of power
- Unique method of microwave energy distribution provides superior even heating throughout the entire cavity

### Multi-language universal operation, with programming flexibility

- Oven interface and programming software supports 24 languages
- Smart USB connectivity standard
- Compatible with ACP Programming Application

### Easy to Use

- Up to 100 programmable menu items simplifies cooking
- 11 power levels and 4 cooking stages for cooking flexibility
- Multiple quantity function automatically calculates cooking times for multiple portions
- Automatic Voltage Sensor adjusts to the power supply (*North America only >1200W*)
- See-through door and lighted interior for monitoring without opening the door (*HDC18SD2 excluded*)
- Ample 0.6 cubic ft. (17 liter) capacity accommodates a standard half-sized pan
- Stackable to save valuable counter space

### Easy to Maintain

- Stainless steel exterior and interior for easy cleaning and increased durability
- Removable, cleanable air filter protects oven components
- Constructed to withstand the foodservice environment, multiple users and variable ambient temperatures
- Gasket sealed Borosilicate Glass tray for easy cleaning
- Interlock switch assembly is engineered for maximum durability and long life.

## Market Region: North America

**Chef Line | Heavy Volume**  
This category of microwave oven is ideal for...

### Applications

- Fast casual dining
- Prep stations
- Bars & grills
- Quick service restaurants
- Casual dining
- Convenience stores
- Bakery cafés
- Kiosks
- Food courts

### Through put potential by oven wattage (items per hour)

| Food item                             | 1200W | 1800W | 2100W |
|---------------------------------------|-------|-------|-------|
| Steamed Shrimp<br>(8oz (227g))        | 23    | 33    | 38    |
| Scrambled Eggs<br>(4oz (120g))        | 51    | 65    | 72    |
| Steamed Rice<br>(8cups (1.2kg))       | 3     | 5     | 7     |
| 1 Baked potato<br>(9oz (255g))        | 18    | 21    | 29    |
| Salmon fillet<br>(8oz (227g))         | 20    | 26    | 29    |
| Chocolate Cake in a Cup               | 60    | 80    | 97    |
| Fresh Steamed Veggies<br>(6oz (170g)) | 48    | 65    | 80    |
| Asparagus<br>(8oz (227g))             | 30    | 45    | 51    |
| Dumplings<br>(6ea)                    | 19    | 24    | 28    |

All ACP, Inc. commercial ovens are supported by our Culinary Center. Do not hesitate to contact us for any questions regarding food preparation, menu development and cooking times: [testkitchen@acpsolutions.com](mailto:testkitchen@acpsolutions.com)



### Optional Accessories

- Cavity shelf (SE10)
- Stainless cart/equipment stands: (CA24, CA30)
- Non-stick baskets (TB10/S, SB10/S, MB10/S)
- Oven Cleaner and Shield Protectant (CL10\*, SH10\*)

### Service

All products are backed by the ACP, Inc. 24/7 ComServ Support Center

### Warranty

Warranty Certificate for this product can be found on the ACP, Inc. website at [www.acpsolutions.com/warranty](http://www.acpsolutions.com/warranty)

### Safety and Sanitation

This ACP, Inc. product meets and exceeds safety and sanitation standards set for commercial microwave ovens by UL, ETL, NSF, CSA, and FDA.



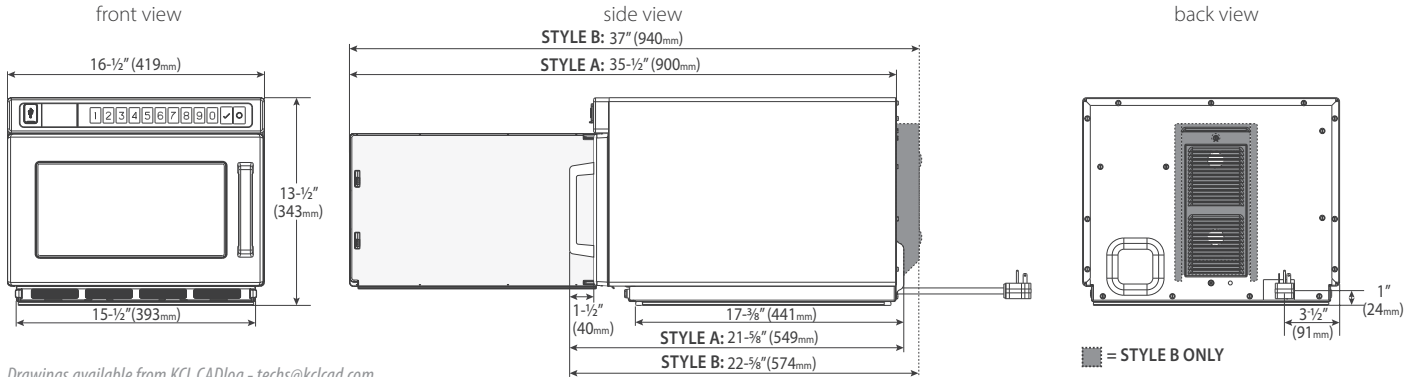
AIA File #:

Specification #:

For other market regions, please see product literature online

\*Only shipped in U.S.A.





Drawings available from KCL CADlog - techs@kclcad.com

## Dimensions

|                        |                       | STYLE A                       | STYLE B                   |
|------------------------|-----------------------|-------------------------------|---------------------------|
| Exterior               | Height                | 13 1/2" (343)                 | 13 1/2" (343)             |
|                        | Width                 | 16 1/2" (419)                 | 16 1/2" (419)             |
|                        | Depth†                | 21 5/8" (549)†                | 22 5/8" (578)†            |
| Cavity                 | Height                | 6 3/4" (171)                  | 6 3/4" (171)              |
|                        | Width                 | 13" (330)                     | 13" (330)                 |
|                        | Depth                 | 12" (305)                     | 12" (305)                 |
| Usable Cavity Space    |                       | 0.6 cubic ft. (17 liter)      | 0.6 cubic ft. (17 liter)  |
| Door Depth             |                       | 35 1/2" (900), 90°+ door open | 37" (940), 90°+ door open |
| Installation Clearance | Top                   | 2" (51)                       | 2" (51)                   |
|                        | Sides                 | 1" (25)                       | 1" (25)                   |
|                        | Back                  | None                          | None                      |
| Shipping Carton        | Height                | 18 5/8" (473)                 | 18 5/8" (473)             |
|                        | Width                 | 21 7/8" (556)                 | 21 7/8" (556)             |
|                        | Depth                 | 24 5/8" (625)                 | 24 5/8" (625)             |
| <b>Weight</b>          |                       |                               |                           |
| Product Weight         | Ship weight (approx.) | UPS Shippable                 |                           |
| 68 lbs (31kg)          | 74 lbs (34kg)         | Yes, ISTA 1A                  |                           |

## Features

|                          |  |
|--------------------------|--|
| Configuration            | Countertop   |
| Stackable                | Yes  |
| Display                  | LCD  |
| Control System           | Touchpad   |
| Programmable Control     | Yes, 10 pads   |
| Braille                  | Overlay available                                    |
| Settings Programmable    | 100  |
| Max. Cooking Time        | 60:00  |
| Microwave Distribution   | Double rotating antennas, top and bottom             |
| Power Levels             | 11   |
| Defrost                  | Yes, power level 2                                   |
| Time Entry Option        | Yes  |
| Multiple Portion Setting | Yes, X2 by default, optional up to X9                |
| Stage Cooking            | 4 stages   |
| Interior Light           | Yes, LED   |
| Automatic Voltage Sensor | Yes (North America only >1200W)                      |
| Air Filter               | Yes, 1 removable                                     |
| Signal                   | End of cycle, adjustable                             |
| Door Handle              | Grab & Go  |
| Exterior Finish          | Stainless steel                                      |
| Interior Finish          | Stainless steel with gasket sealed borosilicate tray |

Measurements are US Standard. Measurements in ( ) are in millimeters

\* IEC 60705 Tested

† Includes handle

## Electrical Configuration

| Region                     | Model#/UPC                      | Automatic Voltage Sensor | Exterior Depth Style | Door Style | Power Consumption | Power Output (microwave) | Power Source                      | Plug Configuration | Cord Length    | Frequency | Magnetron |
|----------------------------|---------------------------------|--------------------------|----------------------|------------|-------------------|--------------------------|-----------------------------------|--------------------|----------------|-----------|-----------|
| North America single phase | <b>HDC12A2</b><br>719881159355  | No                       | A                    | Window     | 2000W, 16.8 A     | 1200W*                   | 120V, 60Hz, 20A, single phase     | NEMA 5-20          | 5.5 ft. (1.7m) | 2450MHz   | 2         |
| North America single phase | <b>HDC182</b><br>719881159362   | Yes                      | A                    | Window     | 3000W, 14.4 A     | 1800W*                   | 208/240V, 60Hz, 20A, single phase | NEMA 6-20          | 5.5 ft. (1.7m) | 2450MHz   | 2         |
| North America single phase | <b>HDC1815</b><br>728028315929  | Yes                      | A                    | Window     | 3000W, 14.4 A     | 1800W*                   | 208/240V, 60Hz, 15A, single phase | NEMA L6-15P        | 5.5 ft. (1.7m) | 2450MHz   | 2         |
| North America single phase | <b>HDC18SD2</b><br>719881159379 | Yes                      | A                    | Solid      | 3000W, 14.4 A     | 1800W*                   | 208/240V, 60Hz, 20A, single phase | NEMA 6-20          | 5.5 ft. (1.7m) | 2450MHz   | 2         |
| North America single phase | <b>HDC212</b><br>719881159386   | Yes                      | B                    | Window     | 3200W, 15.4 A     | 2100W*                   | 208/240V, 60Hz, 20A, single phase | NEMA 6-20          | 5.5 ft. (1.7m) | 2450MHz   | 2         |

Specification #:

AIA File #:



225 49th Ave. Dr. SW, Cedar Rapids, IA 52404 U.S.A.  
800-233-2366 • 319-368-8120 • Fax: 319-368-8198  
www.acpsolutions.com

Part No. 20271301

Updated 09/20/2019

© 2019 ACP, Inc., Cedar Rapids, Iowa 52404

an Ali Group Company



The Spirit of Excellence