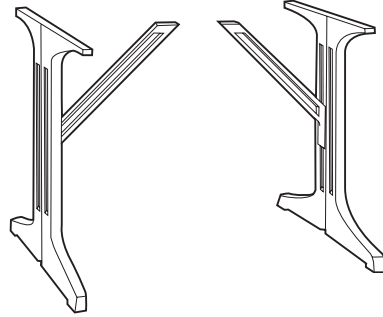




Alpha Resin Base Lateral



Height: 28"
Weight: -

Product Specifications

Product Description	Reference Number	Color	UPC Code 014306	Weight Each (lbs.)	Master Pack	Master Pack Volume (cu. ft)
Alpha Resin Base Lateral	55618302	Charcoal	134628	15.00	1	1.79

Features & Benefits Warranty: 2 Yrs.

- Specifically designed for Grosfillex 48" x 32" with umbrella hole food service molded melamine tables.
- Heavy duty four-prong resin base for extra stability.
- Made of 100% prime resin, a material impervious to moisture, salt air, chlorine.
- Anti-skid glides for extra stability and resistant to wear.
- Available in **Charcoal** color to custom design your Grosfillex table with full table top complements.

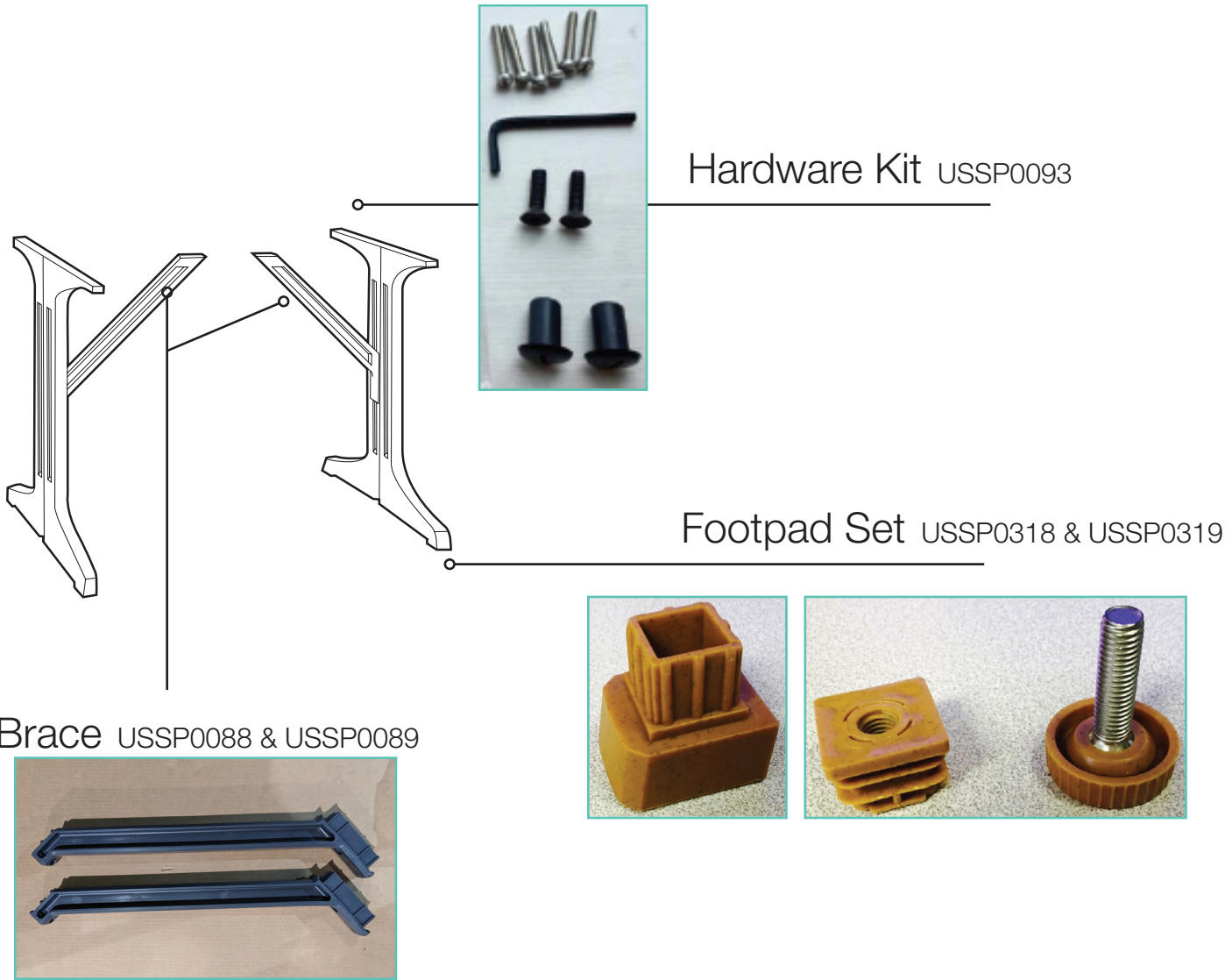


Charcoal



Alpha Lateral Base

Spare Parts



Reference	Description
USSP0093	HARDWARE KIT ALPHA LATERAL & OMEGA
USSP0088	LATERAL BASE 1000 BRACE CHAR
USSP0089	LATERAL BASE 1000 BRACE-BM
USSP0318	ALPHA SM/LG FOOTPAD SET WHITE (3 FIXED/1 ADJ)
USSP0319	ALPHA SM/LG FOOTPAD SET BLACK (3 FIXED/1 ADJ)

