

Garland Induction Baby Hob 1.5kW

Project _____
 Item _____
 Quantity _____
 CSI Section 11400
 Approved _____
 Date _____

Models

- GI-BH/BA 1500



Induction Benefits:

- Energy Efficient
- Fast Heat
- Precise Cooking
- Easy To Clean
- No Pan, No Heat.
- Cool Operations
- Boil Dry Protection

Standard Features

- Compact table top design with stainless steel body and high impact ceramic glass top
- Sloped, easy-to-see front panel with adjustable control for easy operation
- Control knob with 9 power level settings
- Integral cooling fan keeps electronics cool, discharging from rear with protective air deflectors preventing hot exhaust to be pulled back into unit
- Removable, reusable easy to clean air intake filter
- 6' (1829mm) cord and plug supplied (60 cycle units only)
- "Flat Design", compact high performance electronics allow for low unit heights
- Instant energy transmission to the pan
- Thermostatically controlled overheat sensor shuts the unit off to prevent damage from pans cooking dry
- Induction technology transfers heat to the pan, not to the surrounding air, allowing for cool operation
- Innovated new technology for pan detection; RTCS is an internal control software development matching speed, capability and performance
 R – Real Time
 T – Temperature
 C – Control
 S – System
- Electronic output limitation continually monitors the energy transfer to the pan, helping to ensure the most efficient energy transfer possible

Specifications

Shall be a Garland Induction Unit GI-BH/BA 1500 with a total kW rating of 1.5 kW. Ideal voltage and kilowatt out put for buffet line application. Built with a robust stainless steel casting with ceran ceramic glass work top. Compact powerful electronic system for years of reliable service. Overheat sensors to help prevent damage to unit if pan is run dry. Easy to operate system with rotary switch. Unit to come with integral cord and plug. This particular model is only available in the Canadian market.

Note: Induction cooking requires "Induction Ready" pans to operate.

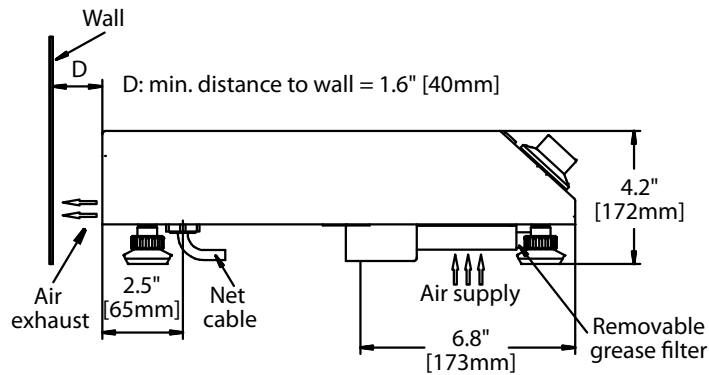
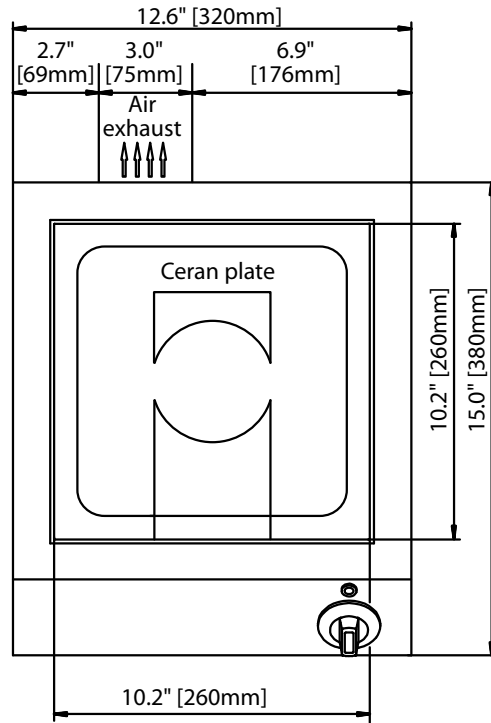



CE models comply with the latest European Norms:
 EN 60335-1, EN 60335-2-36, EN 62233 (EMC/EMV)

North American models:
 ETL listed in compliance with UL 197, CSA C22.2 No.109, NSF-4
 Complies with FCC part 18, ICES-001

Garland Induction Baby Hob 1.5kW

Garland Induction Baby Hob 1.5kW



Plug Configurations		
Model	Electrical Characteristics	Plug
GI-BH/BA 1500	120V/60Hz/1Φ	 NEMA 5-15P

Electrical Loading		
Model	Watts	120/60/1
GI-BH/BA 1500	1500	12 amp

Garland/U.S. Range products are not approved or authorized for home or residential use, but are intended for commercial applications only.

Garland/ U.S. Range will not provide service, warranty, maintenance or support of any kind other than in commercial applications.

Welbilt reserves the right to make changes to the design or specifications without prior notice.