



# Symphony Plus™ ice and water dispenser

110 CT series countertop with Chewblet® ice machine

## Features

90 lb (40.9 kg) ice storage capacity

Removable air- or water-cooled ice machine with up to 425 lb (193.0 kg) daily production of Chewblet ice

- soft, chewable, compressed nugget ice is preferred over cubes<sup>1</sup> and is ideal for patient care
- Quiet Night™ sleep mode turns off ice machine when idle

Designed with sanitation in mind

- automatic self-flushing of ice machine removes impurities
- drain cup provides internal air gap for added protection of food zone components from drain line contaminants
- Agion® silver-based antimicrobial provides protection of key ice and water contact components<sup>2</sup>
- one-hand lever or SensorSAFE infrared ice dispense

Dependable design, easy to service and clean

- cleaning and sanitizing of entire machine takes only 1 hour
- LED control board provides at-a-glance machine status
- panels are easily removed for accessibility to all components
- ice machine parts are common across all Symphony Plus dispensers
- stainless steel evaporator and auger deliver long life

Environmentally responsible

- meets Consortium for Energy Efficiency Tier 2 specifications
- R404a refrigerant has zero ozone depletion potential
- continuous ice making process uses less electricity and water

Durable, attractive dispenser

- stainless steel cabinet with accent trim
- poly drain pan, grille and dispenser lid are corrosion-resistant
- secured top lid

Easy installation

- comes in two boxes – ice machine and dispenser

Warranty

- 3 years parts and labor, 5 years compressor parts

SensorSAFE™ infrared dispense (optional)



SensorSAFE not recommended for use with clear containers or for applications in direct sunlight

Ice and water dispensers, 115 V/60 Hz			
Ice storage capacity	Dispense	Ice machine cooling	Item number
<b>90 lb (40.9 kg)</b>	Lever	air	<b>110CT425A-L<sup>1</sup></b>
		water	<b>110CT425W-L</b>
	SensorSAFE	air	<b>110CT425A-S<sup>1</sup></b>
		water	<b>110CT425W-S</b>

<sup>1</sup> Ice-only available, add -I  
Example: 110CT425A-LI

Ice production		
Temperatures air/water	70/50 F (21/10 C)	90/70 F (32/21 C)
Air-cooled	425 lb (193.0 kg)	325 lb (147.6 kg)
Water-cooled	486 lb (220.6 kg)	408 lb (185.2 kg)
Energy consumption per 100 lb (45.4 kg) ice	N/A	6.0 kWh air-cooled 4.3 kWh water-cooled
Condenser water consumption	N/A	0.5 gpm (1.9 Lpm) at 70 F (21 C) water
Water consumption	12.0 gal (45.4 L) of potable water per 100 lb (45.4 kg) of ice	

## Accessories

- Base stand with or without factory installed filter (refer to form# 7010)
- Chilled water option (item# 01063205)
- Pressurized water sanitizing kits (refer to form# 6830)
- SafeCLEAN Plus™ ice machine cleaner, 1 x 8 oz (237 ml) bottle (item# 01147826)
- Nu-Calgon® IMS-III sanitizer, 16 oz (0.5 L) bottle (item# 00979674)
- Additional filters (refer to form# 9905)
- Additional Symphony Plus accessories (refer to price list)

Job

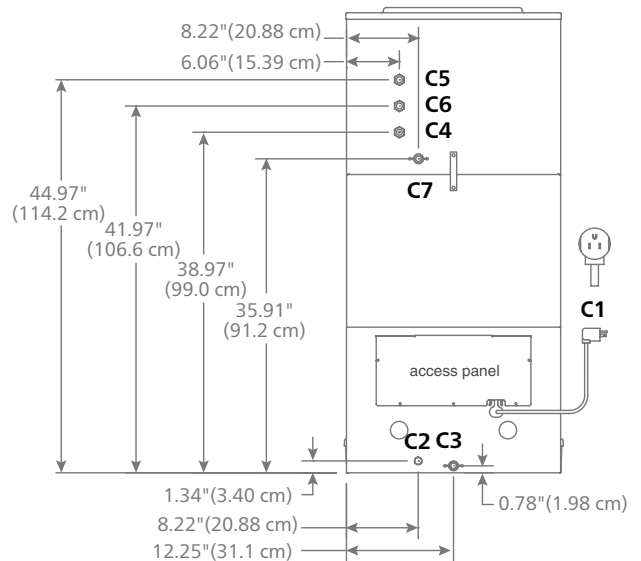
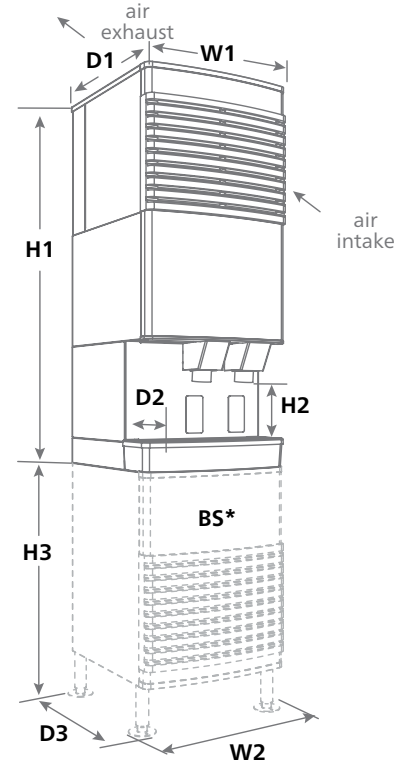
Item

## Specification

Ice storage capacity	90 lb (40.9 kg)
<b>W1</b> Width, dispenser	25.00" (63.5 cm)
<b>W2</b> Width, base stand accessory	26.25" (66.7 cm)
<b>D1</b> Depth, entire dispenser	28.75" (73.0 cm)
<b>D2</b> Depth, drain pan	7.00" (17.78 cm)
<b>D3</b> Depth, base stand accessory	29.00" (73.7 cm)
<b>H1</b> Height, dispenser	53.00" (134.6 cm)
<b>H2</b> Dispense height clearance	7.75" (19.68 cm)
<b>H3</b> Height, base stand accessory	33.00" (83.8 cm)
Ventilation clearance	air-cooled models only – 6.00" (15.24 cm) top
Service clearance	12.00" (30.5 cm) top
<b>C1</b> 115 V/60/1 dispenser electrical	11 amps, 0.8 kW 7' (2.1 m) cord, NEMA 5-15 90° hospital-grade plug.
Utility connection location	internal connection
<b>C2</b> Potable water inlet, dispenser	3/8" FPT
<b>C3</b> Drain, dispenser	3/4" MPT
<b>C4</b> Potable water inlet, ice machine	3/8" FPT internal connection – 1.5" (3.81 cm) knockout provided in back or bottom
Water-cooled ice machine connections	
<b>C5</b> condenser inlet	3/8" FPT
<b>C6</b> condenser drain	3/8" FPT
<b>C7</b> Drain, ice machine	3/4" MPT
Air temperature	50 -100 F (10 - 38 C)
Water temperature	45 - 90 F (7 - 32 C)
Potable water pressure	10 - 70 psi (69 - 483 kpa)
Condenser water pressure	10 - 125 psi (69 - 861 kpa)
Heat rejection	air-cooled models – 5000 BTU/hr water-cooled models – 1400 BTU/hr to air, 3600 BTU/hr to water
Water flow requirement for water-cooled models	0.25 gpm (0.95 lpm) at 50 F (10 C) 0.5 gpm (1.90 lpm) at 70 F (21 C) 1.25 gpm (4.73 lpm) at 90 F (32 C)
Approximate net weight	243 lb (110 kg) (two boxes)
Approximate ship weight	290 lb (132 kg) (two boxes)
Approximate ship weight, base stand accessory	140 lb (64 kg)
NOTE: For indoor use only	

**SHORT FORM SPECIFICATION:** (Choose one) \_\_\_ Ice and water or \_\_\_ ice-only dispenser to be Follett® automatic load in countertop configuration, with 90 lb (40.9 kg) of storage. Environmentally responsible R404a ice machine (choose one) \_\_\_ air- or \_\_\_ water-cooled and to be removable for cleaning and maintenance. Ice machine to produce approximately 425 lb (193.0 kg) of Chewblet compressed nugget ice at air temp. of 70 F (21 C), water temp. of 50 F (10 C). Ice machine equipped with automatic self-flushing and Quiet Night sleep mode. Storage area to be insulated with non-CFC, high density, foamed-in-place polyurethane. 7' (2.1 m) cord and NEMA 5-15 90° hospital-grade plug provided. NSF and ETL listed.

## Dimensional drawing



**BS\*** – Base stand sold separately; measurements shown are with base stand legs at lowest position. See dispenser detail sheet, form# 6675, for counter cut outs.

<sup>1</sup> Independent third party studies. Contact Follett for details.

<sup>2</sup> Disclaimer: Antimicrobial protection is limited to the treated components and does not treat water or ice.

Agion is a registered trademark of Sciescent LLC.

Galgon is a licensed tradename distributed by Nu-Calgon, in the United States.

Symphony Plus, SensorSAFE, SafeCLEAN Plus and Quiet Night are trademarks of Follett LLC.

Chewblet and Follett are registered trademarks of Follett LLC, registered in the US.

Follett reserves the right to change specifications at any time without obligation. Certifications may vary depending on country of origin.

## 110 CT series countertop



# Symphony Plus™ ice and water dispenser

manual fill 110 CM series countertop

SensorSAFE™ infrared dispense (optional)



SensorSAFE not recommended for use with clear containers or for applications in direct sunlight

Ice and water dispensers, 115 V/60 Hz		
Ice storage capacity	Dispense	Item number
<b>110 lb</b> <b>(49.9 kg)</b>	lever	<b>110CM-NI-L</b>
	SensorSAFE	<b>110CM-NI-S</b>

Ice-only available, add -I  
Example: 110CM-NI-LI

## Features

110 lb (49.9 kg) ice storage capacity

Manual load dispenser reliably dispenses Follett® Chewblet® ice and most small cube ice up to 1.00" (2.54 cm) square

Durable, attractive dispenser

- stainless steel cabinet with accent trim
- smooth contours for aesthetically appealing appearance
- corrosion-resistant plastic drain pan and dispenser lid

Designed with sanitation in mind

- Agion® silver-based antimicrobial product protection of key ice and water contact components<sup>1</sup>
- one-hand lever or SensorSAFE infrared ice dispense reduces the chance of cross-contamination

Easy installation

- comes fully assembled and installs with three easy connections – electric, water and drain

Warranty

- 3 years parts and labor, 5 years compressor parts

## Accessories

Base stand with or without factory installed water filter (refer to form# 7010)

Chilled water option (item# AFH20CHIL110)

Pressurized water sanitizing kits (refer to form# 6830)

SafeCLEAN Plus™ ice machine cleaner, 1 x 8 oz (237 ml) bottle (item# 01147826)

Nu-Calgon® IMS-III sanitizer, 16 oz (0.5 L) bottle (item# 00979674)

Additional filters (refer to form# 9905)

Additional Symphony Plus accessories (refer to price list)

Job

Item

801 Church Lane | Easton, PA 18040, USA  
1.800.523.9361 | 1.610.252.7301 | follettice.com



10%  
TOTAL RECOVERED FIBER  
ALL POST-CONSUMER FIBER

Paper certified by:  
The Forest Stewardship Council (FSC) and the Sustainable Forestry Initiative (SFI)

**FOLLETT®**

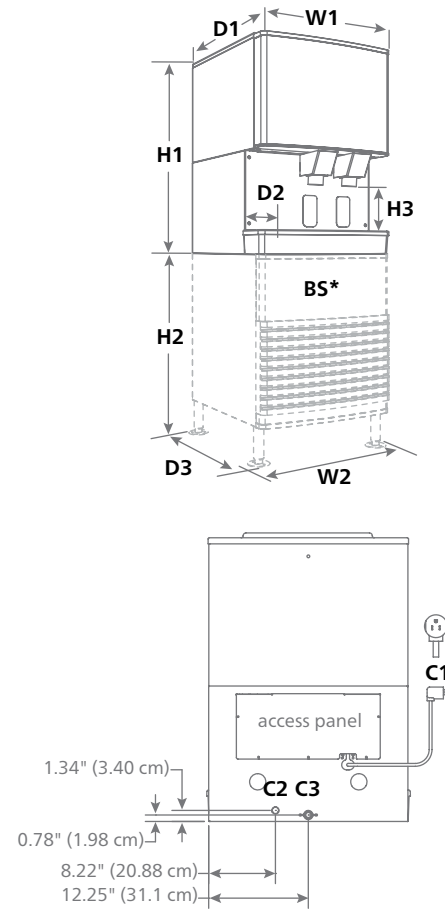
## Specification

Ice storage capacity	110 lb (49.9 kg)
<b>W1</b> Width, dispenser	25.00" (63.5 cm)
<b>W2</b> Width, base stand accessory	26.25" (66.7 cm)
<b>D1</b> Depth, entire dispenser	28.25" (71.8 cm)
<b>D2</b> Depth, drain pan	7.00" (17.78 cm)
<b>D3</b> Depth, base stand accessory	29.00" (73.7 cm)
<b>H1</b> Height, dispenser	34.75" (88.3 cm)
<b>H2</b> Height, base stand accessory	33.00" (83.8 cm)
<b>H3</b> Dispense height clearance	7.75" (19.68 cm)
Service clearance	18.00" (45.7 cm) top for manual filling and cleaning
<b>C1</b> 115 V/60/1 electrical	4 amps, 0.8 kW 7' (2.1 m) cord, NEMA 5-15 90° hospital-grade plug
<b>C2</b> Potable water inlet	3/8" FPT internal connection – 1.5" (3.81 cm) knockout provided
<b>C3</b> Drain	3/4" MPT
Utility connection location	back or bottom
Approximate net weight	103 lb (47 kg)
Approximate ship weight	138 lb (63 kg)
Approximate ship weight, base stand accessory	140 lb (64 kg)

NOTE: For indoor use only

SHORT FORM SPECIFICATION: (Choose one) \_\_\_ Ice and water or \_\_\_ ice-only dispenser to be Follett® model 110CM manual load unit with integral drain pan. Dispenser to hold up to 110 lb (49.9 kg) of ice depending on ice type used. Storage area insulated with non-CFC, high density, foamed-in-place polyurethane. 7' (2.1 m) cord and NEMA 5-15 90° hospital-grade plug provided. NSF and ETL listed.

## Dimensional drawing



**BS\*** – Base stand sold separately; measurements shown are with base stand legs at lowest position. See dispenser detail sheet, form# 6675, for counter cut outs.

<sup>1</sup> Disclaimer: Antimicrobial protection is limited to the treated components and does not treat water or ice.

Agion is a registered trademark of Sciessent LLC.

Calgon is a licensed tradename distributed by Nu-Calgon, in the United States.

Symphony, SensorSAFE and SafeCLEAN Plus are trademarks of Follett LLC.

Chewblet and Follett are registered trademarks of Follett LLC, registered in the US.

Follett reserves the right to change specifications at any time without obligation. Certifications may vary depending on country of origin.

## 110 CM series countertop

# Symphony Plus™ ice and water dispenser

110 FB series freestanding with Chewblet® ice machine



## Features

90 lb (40.9 kg) ice storage capacity

Removable air- or water-cooled ice machine with up to 425 lb (193.0 kg) daily production of Chewblet ice

- soft, chewable, compressed nugget ice is preferred over cubes<sup>1</sup> and is ideal for patient care
- Quiet Night™ sleep mode turns off ice machine when idle

Designed with sanitation in mind

- automatic self-flushing of ice machine removes impurities
- drain cup provides internal air gap for added protection of food zone components from drain line contaminants
- Agion® silver-based antimicrobial provides protection of key ice and water contact components<sup>2</sup>
- one-hand lever or SensorSAFE™ infrared ice dispense

Dependable design, easy to service and clean

- cleaning and sanitizing of entire machine takes only 1 hour
- LED control board provides at-a-glance machine status
- panels are easily removed for accessibility to all components
- ice machine parts are common across all Symphony Plus dispensers
- stainless steel evaporator and auger deliver long life

Environmentally responsible

- meets Consortium for Energy Efficiency Tier 2 specifications
- R404a refrigerant has zero ozone depletion potential
- continuous ice making process uses less electricity and water

Durable, attractive dispenser

- stainless steel cabinet with accent trim
- poly drain pan, grille and dispenser lid are corrosion-resistant
- secured top lid

Easy installation

- comes fully assembled and installs with three easy connections – electric, water and drain

Warranty

- 3 years parts and labor, 5 years compressor parts

Removable ice machine for easy service



Ice and water dispensers, 115 V/60 Hz			
Ice storage capacity	Dispense	Ice machine cooling	Item number
<b>90 lb (40.9 kg)</b>	Lever	air	<b>110FB425A-L<sup>1</sup></b>
		water	<b>110FB425W-L</b>
	SensorSAFE	air	<b>110FB425A-S<sup>1</sup></b>
		water	<b>110FB425W-S</b>

<sup>1</sup> Ice-only available, add -I  
Example: 110FB425A-LI

Ice production		
Temperatures air/water	70/50 F (21/10 C)	90/70 F (32/21 C)
Air-cooled	425 lb (193.0 kg)	325 lb (147.6 kg)
Water-cooled	486 lb (220.6 kg)	408 lb (185.2 kg)
Energy consumption per 100 lb (45.4 kg) ice	N/A	6.0 kWh air-cooled 4.3 kWh water-cooled
Condenser water consumption	N/A	0.5 gpm (1.9 Lpm) at 70 F (21 C) water
Water consumption	12.0 gal (45.4 L) of potable water per 100 lb (45.4 kg) of ice	

## Accessories

Chilled water option (item# 01063205)

Pressurized water sanitizing kits (refer to form# 6830)

SafeCLEAN Plus™ ice machine cleaner, 1 x 8 oz (237 ml) bottle (item# 01147826)

Nu-Calgon® IMS-III sanitizer, 16 oz (0.5 L) bottle (item# 00979674)

Additional filters (refer to form# 9905)

Additional Symphony Plus accessories (refer to price list)

Job

Item

801 Church Lane | Easton, PA 18040, USA  
1.800.523.9361 | 1.610.252.7301 | follettice.com



10%  
TOTAL RECOVERED FIBER  
ALL POST-CONSUMER FIBER

Paper certified by:  
The Forest Stewardship Council (FSC) and the Sustainable Forestry Initiative (SFI)

**FOLLETT®**

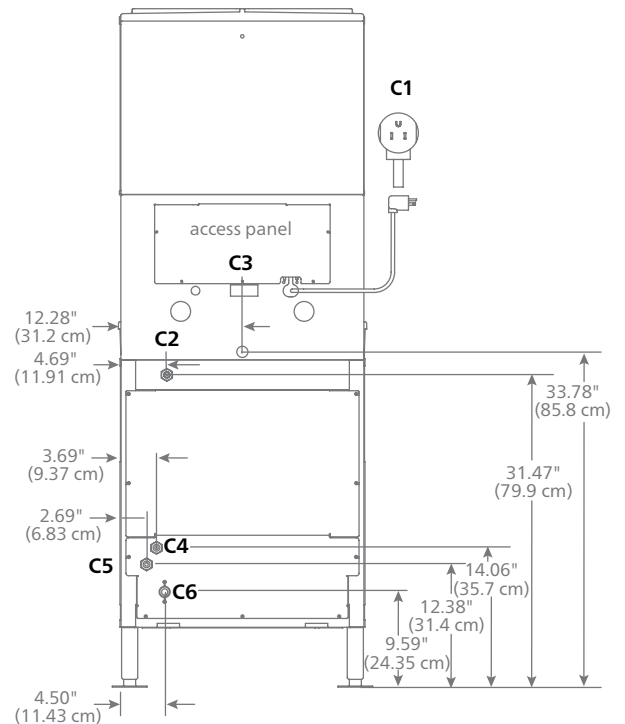
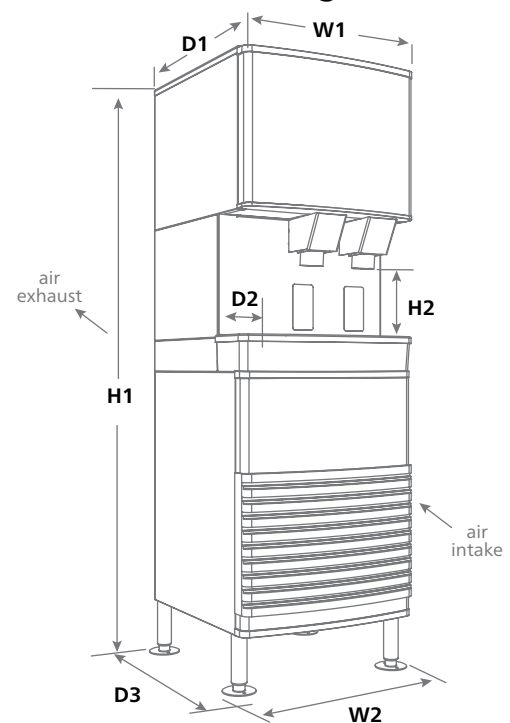
## Specification

Ice storage capacity	90 lb (40.9 kg)
<b>W1</b> Width, top	25.00" (63.5 cm)
<b>W2</b> Width, bottom	26.25" (66.7 cm)
<b>D1</b> Depth, top	28.25" (71.8 cm)
<b>D2</b> Depth, drain pan	7.00" (17.8 cm)
<b>D3</b> Depth, bottom	29.44" (74.8 cm)
<b>H1</b> Height	68.12" (173.0 cm)
<b>H2</b> Dispense height clearance	7.75" (19.68 cm)
Ventilation clearance	air-cooled models only – 4.00" (10.16 cm) rear
Service clearance	12.00" (30.5 cm) top
<b>C1</b> 115 V/60/1 electrical	11 amps, 0.8 kW 7' (2.1 m) cord, NEMA 5-15 90° hospital-grade plug
<b>C2</b> Potable water inlet, ice machine and dispenser	3/8" FPT
<b>C3</b> Drain, dispenser	3/4" MPT
Water-cooled ice machine connections	
<b>C4</b> condenser inlet	3/8" FPT
<b>C5</b> condenser drain	3/8" FPT
<b>C6</b> Ice machine drain	3/4" MPT
Air temperature	50 -100 F (10 - 38 C)
Water temperature	45 - 90 F (7 - 32 C)
Potable water pressure	10 - 70 psi (69 - 483 kpa)
Condenser water pressure	10 - 125 psi (69-861 kpa)
Heat rejection	air-cooled models – 5000 BTU/hr water-cooled models – 1400 BTU/hr to air, 3600 BTU/hr to water
Water flow requirement for water-cooled models	0.25 gpm (0.95 lpm) at 50 F (10 C) 0.5 gpm (1.90 lpm) at 70 F (21 C) 1.25 gpm (4.73 lpm) at 90 F (32 C)
Approximate net weight	253 lb (115 kg)
Approximate ship weight	290 lb (132 kg)

NOTE: For indoor use only

SHORT FORM SPECIFICATION: (Choose one) \_\_\_ Ice and water or \_\_\_ ice-only dispenser to be Follett® automatic load in freestanding configuration, with 90 lb (40.9 kg) of storage, water station and (choose one) \_\_\_ air- or \_\_\_ water-cooled ice machine in base. Environmentally responsible R404a ice machine mounted in base and to be removable as one unit for cleaning and maintenance. Ice machine to produce approximately 425 lb (193.0 kg) per day of Chewblet compressed nugget ice at air temp. of 70 F (21 C), water temp. of 50 F (10 C). Ice machine equipped with automatic self-flushing and Quiet Night sleep mode. Dispenser to have automatic bin level control to start and stop ice machine and separate circuitry to allow dispensing to continue with ice machine removed. Dispenser equipped with 6.00" (15.24 cm) adjustable legs, flanged feet and lightweight plastic top that allows full access to the ice storage area for manual loading of back-up ice. Storage area insulated with non-CFC, high density, foamed-in-place polyurethane. 7' (2.1 m) cord and NEMA 5-15 90° hospital-grade plug provided. NSF and ETL listed.

## Dimensional drawing



<sup>1</sup> Independent third party studies. Contact Follett for details.

<sup>2</sup> Disclaimer: Antimicrobial protection is limited to the treated components and does not treat water or ice. Agion is a registered trademark of Sciessent LLC.

Calgon is a licensed tradename distributed by Nu-Calgon, in the United States. Symphony Plus, SensorSAFE, SafeCLEAN Plus and Quiet Night are trademarks of Follett LLC. Chewblet and Follett are registered trademarks of Follett LLC, registered in the US.

Follett reserves the right to change specifications at any time without obligation. Certifications may vary depending on country of origin.

## 110 FB series freestanding