



FOOD WARMERS

SERVING THE FOOD INDUSTRY SINCE 1951

FOOD STEAMER/BOILER

Item: 11384

Model: FW-TW-0016



1 YEAR
LIMITED
WARRANTY
PARTS AND LABOR



Authorized Dealer

FOOD WARMERS

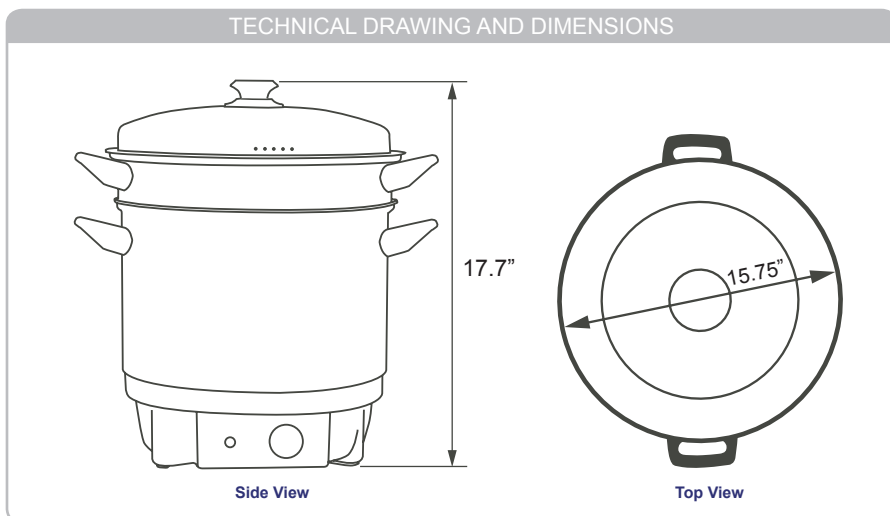
FOOD STEAMER/BOILER



Features:

- Security feature: automatic shut off
- Includes pot, lid, strainer insert and removable insert divider
- Made of SUS 304(18/8) stainless steel, 0.7mm thickness
- Fast heats up with 1600-watts

TECHNICAL DRAWING AND DIMENSIONS



Temperature switch controller



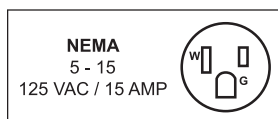
Strainer insert



Stainless steel pot interior

TECHNICAL SPECIFICATION

| | |
|----------------------|--|
| ITEM NUMBER | 11384 |
| MODEL | FW-TW-0016 |
| DESCRIPTION | Food Steamer/Boiler |
| CAPACITY | 17L/ 18 QT |
| POWER | 1.6 kW |
| ELECTRICAL | 120V/60Hz/1 |
| WEIGHT | 16.5 lbs./ 7.5 kgs. |
| PACKAGING WEIGHT | 20 lbs./ 9 kgs |
| DIMENSIONS | 17.7" (H) x 15.75 (Dia.)/ 449.6mm (H) x 400mm (Dia.) |
| PACKAGING DIMENSIONS | 17" x 17" x 19"/ 432 x 432 x 482.6 mm |



OMCAN INC.

Telephone: 1-800-465-0234
 Fax: (905) 607-0234
 Email: sales@omcan.com
 Website: www.omcan.com



Follow us to keep up to date with the latest news and offers

