

## MEAT GRINDER

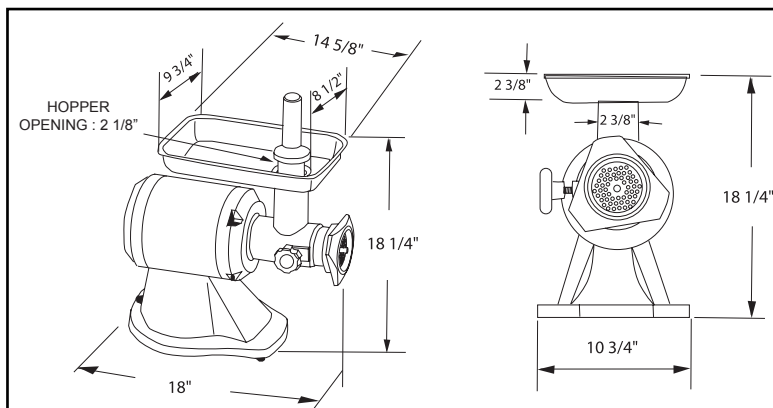


### Model FA12G81

Made of attractive polished aluminum. Equipped with a reverse switch. Comes with a stainless steel pan, stamper, three additional spouts (14mm, 20mm, 22mm) and an extra #12 machine plate (8mm and 4.8 mm). The Model FA12 meat grinder is ideal for restaurants or small butcher operations.



### SPECIFICATIONS



Model	FA12G81
HP	1.0 HP
RPM	200
Amp	8
Electrical	110V/60/1
Weight	55 lbs.
Packaging Weight	62.5 lbs.
Dimension (LWH)	18" x 10.75" x 18.25"
Packaging Dimension	21.5" x 14" x 17"
Item #	21720



Mississauga, Ontario, Canada

Niagara Falls, New York, USA

Tel: (905) 828-0234 Toll-Free: 1-800-465-0234 Fax: (905) 607-0234 Email: sales@omcan.com

[www.omcan.com](http://www.omcan.com)