

# Tables

## Dish Cabinets

### STAINLESS STEEL DISH CABINETS

#### FEATURES

- Heavy duty, 18 gauge, Type 430 Stainless Steel provides long life
- Reinforced to exceed industry standards
- Hemmed edges provide strength and safety
- Shipped with legs not attached
- Die cast reinforced leg sockets for stability
- Legs are 1 5/8" diameter
- Adjustable ABS bullet feet to accommodate uneven flooring



TDC1548

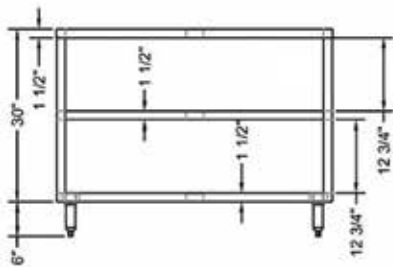


### DISH CABINETS 15" DEPTH

Product #	Width	Shipping Dimensions			Weight (lbs)
		L"	W"	H"	
TDC1548	48	50	16	31	75
TDC1560	60	62	16	31	93
TDC1572	72	74	16	31	111
TDC1584	84	86	16	31	133
TDC1596	96	98	16	31	153

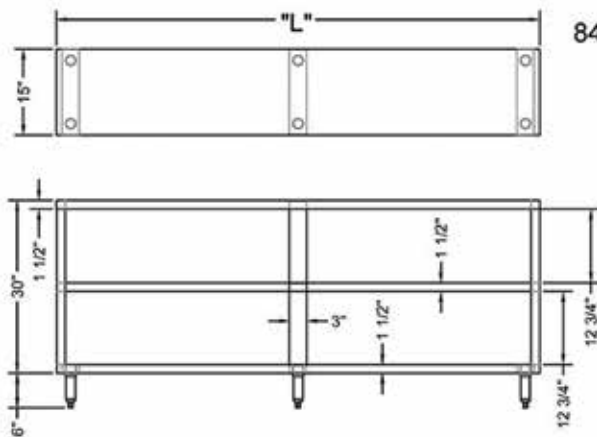
#### DIMENSIONS

(Drawings have same dimensions for both 15" and 20" aside from the depth.)

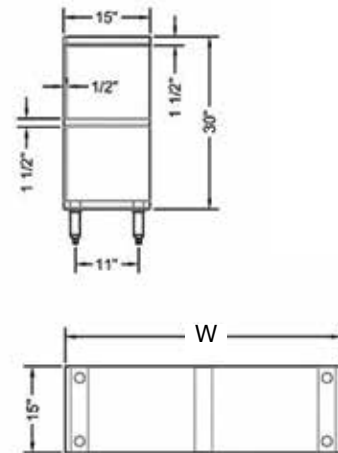
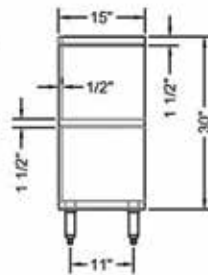


### DISH CABINETS 20" DEPTH

Product #	Width	Shipping Dimensions			Weight (lbs)
		L"	W"	H"	
TDC2048	48	50	21	31	75
TDC2060	60	62	21	31	93
TDC2072	72	74	21	31	111
TDC2084	84	86	21	31	133
TDC2096	96	98	21	31	153



#### 84" and 96" SERIES



Specifications subject to change without notice.