



## STAINLESS STEEL 18 GAUGE SINKS

### FEATURES

- 18 gauge, Type 304 Stainless Steel construction for lasting durability
- Coved corners for safety and easy cleaning
- Die-stamped drain boards and sink bottoms for positive drainage
- Prep. Sinks come with an 11" deep bowl and are available with center or corner drain
- Pot sinks come with a 14" bowl and are available with corner drain
- Wall clips are provided for neat and easy installation
- All sinks come with 8" center pre-cut holes for standard wall mount faucets (faucet not included)
- Corner drain sinks come with corner drain guard, overflow pipe and drain pipe extension
- Corner drain sinks have a 1 7/8" diameter drain hole and come with drain basket
- Center drain sinks have 3 1/2" drain holes and come with a drain basket
- Sink heights are 36" floor to rim and 44 1/2" floor to top of backsplash
- Seamless one piece construction with 5/8" radius corners for easy cleaning
- All TIG welded
- Welded areas are blended to match adjacent surface and blended to a satin finish
- Gussets are welded to a die embossed reinforced plate
- Optional Leg braces are available for additional support in heavy duty applications (See page 73)
- 1 5/8" diameter galvanized legs with 1" adjustable plastic bullet feet

### DIMENSIONS

**18" CENTER DRAIN SINKS**  
Please see page 90-91 for dimensional information

**18" CORNER DRAIN SINKS**  
Please see page 92-93 for dimensional information

**24" CORNER DRAIN SINKS**  
Please see page 94-95 for dimensional information



# Clean Up

## 18" Corner Drain Sinks

### 18" COMPARTMENT CORNER DRAIN SINKS

#### FEATURES

See page 91 for sink features



CORNER DRAIN DETAIL  
WITH DRAIN GUARD AND  
OVERFLOW TUBE (included  
with all corner drain sinks)

### 18" SINGLE COMPARTMENT

Product #	Style	Shipping Dimensions			Weight (lbs)
		W"	D"	H"	
SI818-1N		24	24	24	58
SI818-1L		45	24	24	68
SI818-1R		45	24	24	68
SI818-1B		66	24	24	79



SI818-1N



### 18" 2 COMPARTMENT

Product #	Style	Shipping Dimensions			Weight (lbs)
		W"	D"	H"	
SI818-2N		42	24	24	83
SI818-2L		63	24	24	94
SI818-2R		63	24	24	94
SI818-2B		84	24	24	106



SI818-2N



### 18" 3 COMPARTMENT

Product #	Style	Shipping Dimensions			Weight (lbs)
		W"	D"	H"	
SI818-3N		59	24	24	110
SI818-3L		81	24	24	121
SI818-3R		81	24	24	121
SI818-3B		103	24	24	133



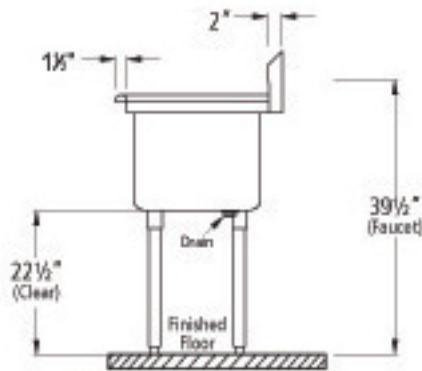
SI818-3R



Specifications subject to change without notice.

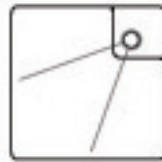
### 18" COMPARTMENT CORNER DRAIN SINKS

1 7/8" DRAIN BASKET

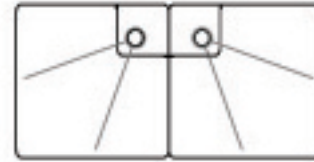


PLUMBING ROUGH-IN

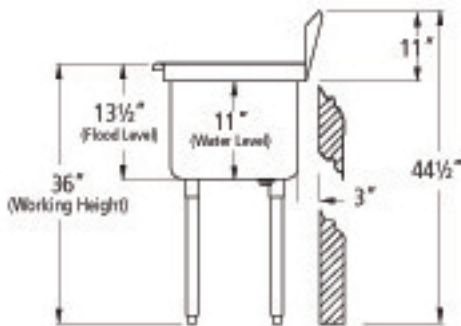
#### DIMENSIONS



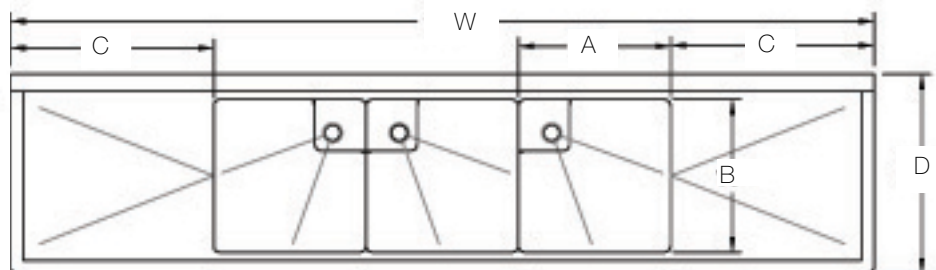
SINGLE COMPARTMENT



2 COMPARTMENTS



SECTION



3 COMPARTMENTS (WITH DRAIN BOARDS)

Product #	Drain Location	Overall Width (W)	Depth (D)	No. of Bowls	Bowl Size (A & B)	No. of Drainboards	Drainboard Width (C)	Drainboard Location
SI818-1N	Corner	23"	23½"	1	18" x 18"	0	N/A	N/A
SI818-1L	Corner	44½"	23½"	1	18" x 18"	1	24	L
SI818-1R	Corner	44½"	23½"	1	18" x 18"	1	24	R
SI818-1B	Corner	66"	23½"	1	18" x 18"	2	24	R & L
SI818-2N	Corner	41"	23½"	2	18" x 18"	0	N/A	N/A
SI818-2L	Corner	62½"	23½"	2	18" x 18"	1	24	L
SI818-2R	Corner	62½"	23½"	2	18" x 18"	1	24	R
SI818-2B	Corner	84"	23½"	2	18" x 18"	2	24	R & L
SI818-3N	Corner	59"	23½"	3	18" x 18"	0	N/A	N/A
SI818-3L	Corner	80½"	23½"	3	18" x 18"	1	24	L
SI818-3R	Corner	80½"	23½"	3	18" x 18"	1	24	R
SI818-3B	Corner	102"	23½"	3	18" x 18"	2	24	R & L

>> **EFI Product Feature:** All units are shipped unassembled to reduce shipping costs.

Shipping specifications are approximate.



Specifications subject to change without notice.

# Clean Up

## 24" Corner Drain Sinks

### 24" COMPARTMENT CORNER DRAIN SINKS

#### FEATURES

See page 91 for sink features



CORNER DRAIN DETAIL  
WITH DRAIN GUARD AND  
OVERFLOW TUBE (included  
with all corner drain sinks)

### 24" SINGLE COMPARTMENT

Product #	Style	Shipping Dimensions			Weight (lbs)
		W"	D"	H"	
SI824-1N		30	30	30	62
SI824-1L		51	30	30	75
SI824-1R		51	30	30	75
SI824-1B		73	30	30	89

SI824-1N



### 24" 2 COMPARTMENT

Product #	Style	Shipping Dimensions			Weight (lbs)
		W"	D"	H"	
SI824-2N		55	30	30	93
SI824-2L		76	30	30	106
SI824-2R		76	30	30	106
SI824-2B		97	30	30	120

SI824-2N



### 24" 3 COMPARTMENT

Product #	Style	Shipping Dimensions			Weight (lbs)
		W"	D"	H"	
SI824-3N		79	30	30	124
SI824-3L		100	30	30	137
SI824-3R		100	30	30	137
SI824-3B		121	30	30	153

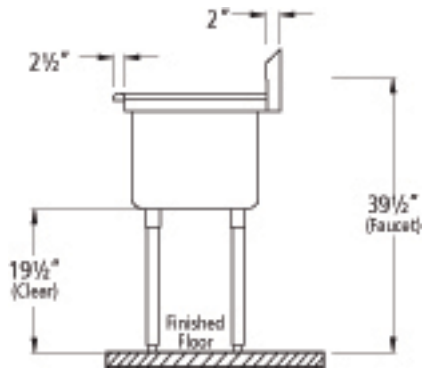
SI824-3R



Specifications subject to change without notice.

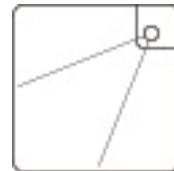
### 24" COMPARTMENT CORNER DRAIN SINKS

1 7/8" DRAIN BASKET

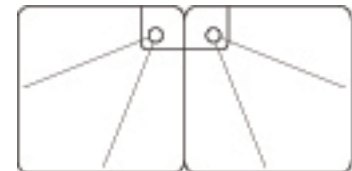


PLUMBING ROUGH-IN

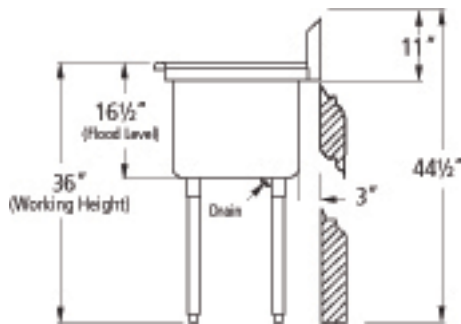
#### DIMENSIONS



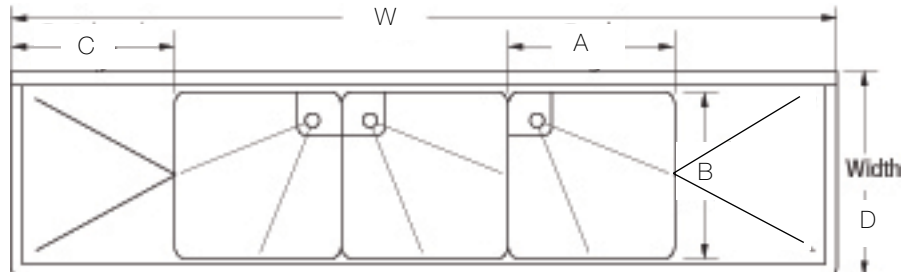
SINGLE COMPARTMENT



2 COMPARTMENTS



SECTION



3 COMPARTMENTS (WITH DRAIN BOARDS)

Product #	Drain Location	Overall Width (W)	Depth (D)	No. of Bowls	Bowl Size (A & B)	No. of Drainboards	Drainboard Width (C)	Drainboard Location
SI824-1N	Corner	30"	30"	1	24" x 24"	0	N/A	N/A
SI824-1L	Corner	50 1/2"	30"	1	24" x 24"	1	24"	L
SI824-1R	Corner	50 1/2"	30"	1	24" x 24"	1	24"	R
SI824-1B	Corner	72 1/2"	30"	1	24" x 24"	2	24"	R & L
SI824-2N	Corner	54 1/2"	30"	2	24" x 24"	0	N/A	N/A
SI824-2L	Corner	75 1/2"	30"	2	24" x 24"	1	24"	L
SI824-2R	Corner	75 1/2"	30"	2	24" x 24"	1	24"	R
SI824-2B	Corner	96 1/2"	30"	2	24" x 24"	2	24"	R & L
SI824-3N	Corner	78 1/2"	30"	3	24" x 24"	0	N/A	N/A
SI824-3L	Corner	99 1/2"	30"	3	24" x 24"	1	24"	L
SI824-3R	Corner	99 1/2"	30"	3	24" x 24"	1	24"	R
SI824-3B	Corner	120 1/2"	30"	3	24" x 24"	2	24"	R & L

>> **EFI Product Feature:** All units are shipped unassembled to reduce shipping costs.

Shipping specifications are approximate.

# Clean Up

## 18" Center Drain Sinks

### 18" COMPARTMENT CENTER DRAIN SINKS

#### FEATURES

See page 91 for sink features

#### 18" SINGLE COMPARTMENT

Product #	Style	Shipping Dimensions			Weight (lbs)
		W"	D"	H"	
SI818-1NC		24	24	27	51
SI818-1LC		39	24	27	60
SI818-1RC		39	24	27	60
SI818-1BC		54	24	27	69



#### 18" 2 COMPARTMENT

Product #	Style	Shipping Dimensions			Weight (lbs)
		W	D"	H"	
SI818-2NC		42	24	27	73
SI818-2LC		57	24	27	82
SI818-2RC		57	24	27	82
SI818-2BC		72	24	27	91



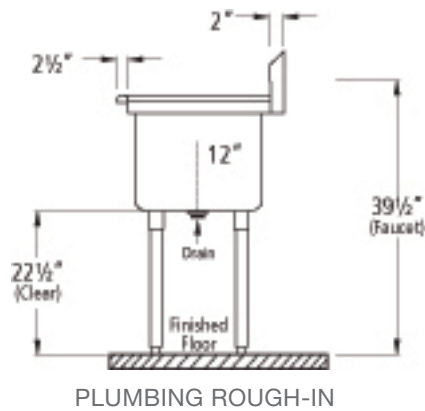
#### 18" 3 COMPARTMENT

Product #	Style	Shipping Dimensions			Weight (lbs)
		W	D"	H"	
SI818-3NC		60	24	27	95
SI818-3LC		75	24	27	104
SI818-3RC		75	24	27	104
SI818-3BC		90	24	27	113

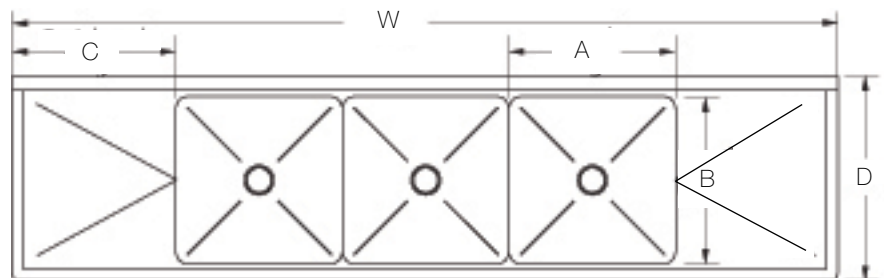
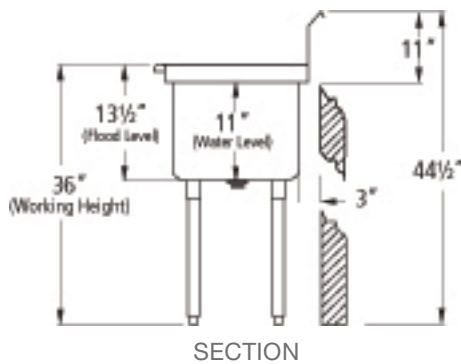
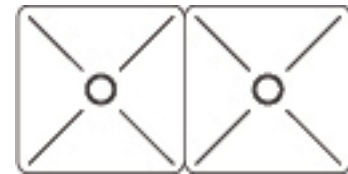


Specifications subject to change without notice.

### 18" COMPARTMENT CENTER DRAIN SINKS 3 1/2" DRAIN BASKET



#### DIMENSIONS



Product #	Drain Location	Overall Width (W)	Depth (D)	No. of Bowls	Bowl Size (A & B)	No. of Drainboards	Drainboard Width (C)	Drainboard Location
SI818-1NC	Center	23"	23 1/2"	1	18" x 18"	0	N/A	N/A
SI818-1LC	Center	38 1/2"	23 1/2"	1	18" x 18"	1	18"	L
SI818-1RC	Center	38 1/2"	23 1/2"	1	18" x 18"	1	18"	R
SI818-1BC	Center	54"	23 1/2"	1	18" x 18"	2	18"	R & L
SI818-2NC	Center	41"	23 1/2"	2	18" x 18"	0	N/A	N/A
SI818-2LC	Center	56 1/2"	23 1/2"	2	18" x 18"	1	18"	L
SI818-2RC	Center	56 1/2"	23 1/2"	2	18" x 18"	1	18"	R
SI818-2BC	Center	72"	23 1/2"	2	18" x 18"	2	18"	R & L
SI818-3NC	Center	59"	23 1/2"	3	18" x 18"	0	N/A	N/A
SI818-3LC	Center	74 1/2"	23 1/2"	3	18" x 18"	1	18"	L
SI818-3RC	Center	74 1/2"	23 1/2"	3	18" x 18"	1	18"	R
SI818-3BC	Center	90"	23 1/2"	3	18" x 18"	2	18"	R & L

>> **EFI Product Feature:** All units are shipped unassembled to reduce shipping costs.

Shipping specifications are approximate.