



## DCO SERIES COUNTERTOP OVENS

Doyon is proud to introduce their DCO Series Countertop Ovens. They offer great flexibility in very limited space. Constructed of stainless steel, and a full view glass door, these ovens are designed to be compact yet heavy-duty. The DCO3 has the ability to hold either three or four half-size sheet pans. The DCO5 is the big brother to the DCO3. The DCO5 unit have the capacity of five half-size sheet pans. This unit is available as either 208 or 240 Volt.



DCO5



DCO3

### FEATURES

- Electromechanical controls
- Temperature up to 475°F (246°C)
- Indicator light for thermostat
- Door switch cutoff for fan blower
- Stainless steel construction
- 4" adjustable legs (102 mm)
- Press-fit removable door gasket for easy cleaning
- One-handed door handle operation
- Cool touch door with dual thermal wide view glass

- Lift up removable side racks
- Adjustable buzzer noise
- Two year parts and one year labor warranty

Please note that this oven comes without shelves. The DCO3 requires 3 shelves, the DCO5 requires 5 shelves.

### OPTIONS

- Wire shelf (DCOWS)

*Experience our top-of-the-line ovens today!*



5600 13th Street • Menominee, MI 49858 USA

Phone: 906-863-4401 E-mail: sales@nu-vu.com  
Toll free: 1-800-338-9886 www.doyon.qc.ca  
Fax: 906-863-5889 www.nu-vu.com

## OVERALL DIMENSIONS

DCO3  
29 1/8" W X 27 7/8" D X 21 1/2" H  
(740 mm X 708 mm X 546 mm)

DCO5  
29 1/8" W X 27 7/8" D X 26 7/8" H  
(740 mm X 708 mm X 683 mm)

## ELECTRICAL SYSTEM

DCO3  
1 Phase:  
120V - 16 A - 1.7 kW - 60 Hz - 2 wires + ground NEMA 5-20P

DCO5  
1 Phase:  
208V - 21 A - 4 kW - 60 Hz - 2 wires + ground  
240V - 18 A - 4 kW - 60 Hz - 2 wires + ground

## FINISH

Stainless steel

## SHELF SPACING

DCO3: 3 1/2" (89 mm)  
DCO5: 3 1/8" (85 mm)

## SHIPPING WEIGHT

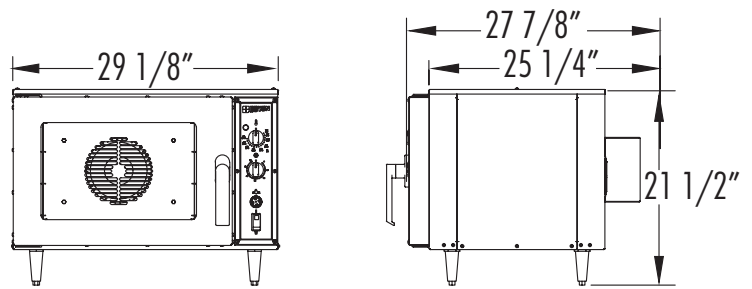
DCO3: 140 lb (64 kg) approximately  
DCO5: 180 lb (82 kg) approximately

## CAPACITY

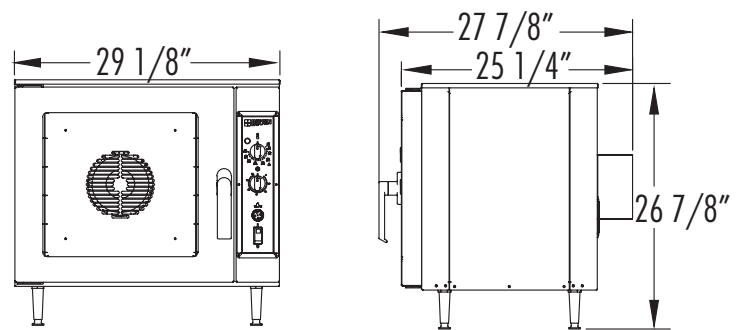
DCO3  
3 half-size sheet pans (13" X 18" - 330 mm X 457 mm)

DCO5  
5 half-size sheet pans (13" X 18" - 330 mm X 457 mm)

Electrical service connection is located at the back of the unit.  
Specifications and design are subject to change without notice.



DCO3



DCO5



5600 13th Street • Menominee, MI 49858 USA  
Phone: 906-863-4401 E-mail: sales@nu-vu.com  
Toll Free: 1-800-338-9886 www.doyon.qc.ca  
Fax: 906-863-5889 www.nu-vu.com