



# SR114E Super Runner Value Electric Fryer

Project \_\_\_\_\_  
 Item \_\_\_\_\_  
 Quantity \_\_\_\_\_  
 CSI Section 11400 \_\_\_\_\_  
 Approval \_\_\_\_\_  
 Date \_\_\_\_\_

## Models

SR114E



SR114E  
Shown with optional casters.

## Standard Features

- 40-lb (20 liter) frypot oil capacity
- 14 kw
- Frying area 13-3/4" x 13-3/4" x 5-1/4" (34.8 x 34.8 x 13.3 cm)
- Durable temperature probe
- Wide cold zone
- Stainless steel frypot, door and back-splash/flue cover, aluminized sides
- Basket hanger
- Two twin baskets
- Power switch and indicator light
- 6" (15 cm) steel legs with 1" adjustment
- Basket support rack

## Options & Accessories

- Frypot cover
- Casters
- Full basket
- Top connecting strip

## Specifications

### **Basic Frying At Its Best -- Designed For All-Purpose Affordable Frying**

Fry a wide variety of products with the full-size frying area which easily accommodates items from appetizers to specialty foods -- chicken, fries and breaded products, fresh or frozen.

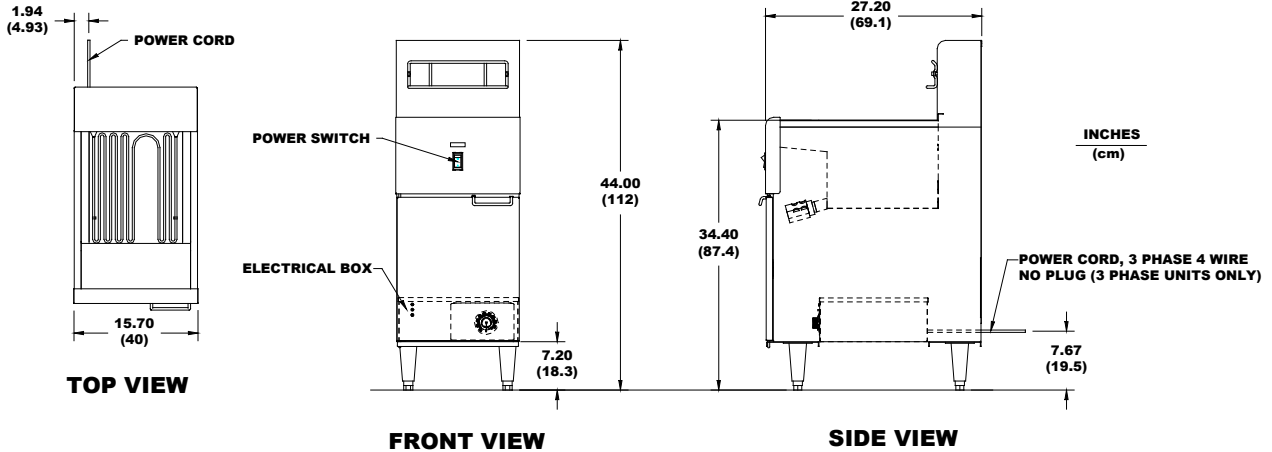
Make the most of your energy dollars with our fully submersed element package. Heat absorption is maximized by full contact with the oil, allowing quick heat-up time and lower energy consumption per pound of product cooked.

Frymaster's wide cool zone design minimizes wasteful oil deterioration by trapping debris under the cooking area, preventing carbonization of particles and oil contamination. The sloped bottom permits fast, easy draining of oil and sediment.

Assure rapid recovery with Frymaster's durable temperature probe which reacts quickly to changes in load conditions and helps eliminate loss of time incurred waiting between loads.



SR114E Super Runner Value Electric Fryer



**DIMENSIONS**

MODEL	OIL CAPACITY	OVERALL SIZE (cm)			DRAIN HEIGHT (cm)	APPROXIMATE SHIPPING DIMENSIONS					
		WIDTH	DEPTH	HEIGHT		WEIGHT	CLASS	CU. FT.	DIMENSIONS (cm)		
SR114E	40 lb. (20 liter)	15-3/4" (40)	27-1/4" (69.1)	44" (112)	23" (58.4)	180 lbs. (82 kg)	85	21	W 20-1/2" (52)	D 36" (91)	H 48-1/2" (123)

**POWER REQUIREMENTS**

BASIC DOMESTIC	kw	ELEMENTS/FRYPOT		
		VOLTAGE	3 PHASE*	1 PHASE**
SR114E	14	208V 240V	39 A 34 A	68 A 59 A
BASIC EXPORT	kw			
SR114E	14	220V 230V/400V	37 A 21 A	64 A N/A

\*3 PH/3 Wire/Plus Ground Wire  
 \*\*1 PH/2 Wire/Plus Ground Wire

**NOTE:**

- 3-phase units with cord only -- no plug provided.
- 1-phase units to be field wired, no cord or plug provided.
- All Canadian and single phase units sold without cordset.

**HOW TO SPECIFY**

The following description will assist with ordering the features desired for this equipment:

SR114E 40-lb (20-liter) oil capacity, 14 kw electric fryer with power switch and indicator light.

8700 Line Avenue  
 Shreveport, LA 71106  
 USA

Tel: 318-865-1711  
 Tel: 1-800-221-4583  
 Fax: 318-868-5987  
 E-mail: info@frymaster.com

www.frymaster.com  
 Bulletin No. 830-0083  
 Revised 8/4/15  
 Litho in U.S.A. ©Frymaster

