



Item No. _____

COUNTERTOP PIZZA SHEETER BMPS001

Features:

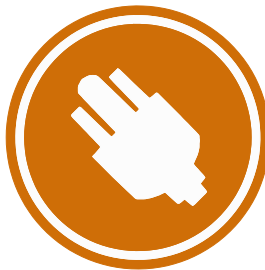
- Features flow through sheeting and heavy duty design with automatic out feed belt.
- 3 rollers -2 pass action front feed, will sheet up to 20 inches wide and is easy to clean with a lift back cover which gives easy access to non stick rollers.
- Also comes with power out feed belt for fast exit of smaller products.
- Back cover opens to provide easy access to non-stick rollers for clearing of dough and for easy cleaning.
- Easy access to non-stick rollers.

Other specifications:

- N.W. -385lbs
- Plug N' Go™ electrical for easy installation.



The BakeMax® Countertop Pizza or Pie Sheeter features 2 pass flow through sheeting and heavy duty design with automatic out feed belt. Sheets up to 20"



Think Quality, Value, Service.....Think

BakeMax

COUNTERTOP PIZZA SHEETER BMPS001

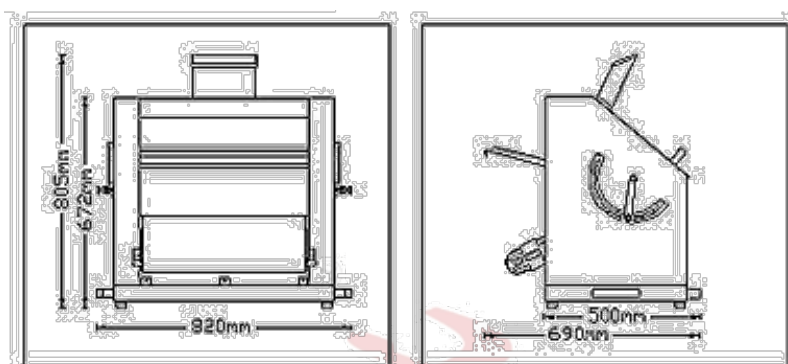
Volume

External Dimensions (D x W x H)

Model	External
BMPS001	27.5" x 31" x 32" 69.85cm x 78.74cm x 81.28cm

Capacity Information:

Model	Base Diameter	Base Thickness	Pieces per hour
BMPS001	Up to 20"	0 - 0.63"	600



Electrical Information

Model	Voltage	Phase	Amps	Watts	Hertz	NEMA
BMPS001	115	1	10.4	1196	60	5-15P

Shipping Information

Model	Net Weight (kg)	Crated Weight(kg)	Crate Dimensions (D x W x H)
BMPS001	117kg(385lbs)		



Authorized Dealer:

BakeMax Manufacturing, Inc.
170 Millennium Blvd, Moncton, NB, E1C 1M8
Toll Free: 1-800-565-BAKE
Telephone: 1-506-858-8990
Fax: 1-506-859-6929

Think Quality, Value, Service.....Think

BakeMax[®]

Toll Free: 1-800-565-BAKE

Web Site: www.bakemax.com

E-mail: sales@bakemax.com

Printed in Canada