



Equipment for the Foodservice Industry

value + quality + service

Back Bar Direct Draw Coolers

CBBDD1-24CC



CBBDD1-24CC Features

- All steel construction with exterior covered in an easy to maintain black vinyl
- Counter tops and interiors are made with Type 304 Stainless Steel
- Recessed handles
- Door equipped with locks for security
- Self-closing doors equipped to stay open when past 90 degrees
- Adjustable/removable plastic coated shelves
- Refrigeration system holds 33°F to 38°F (-0.5°C to 3.3°C) for optimum food preservation
- Removable door gasket
- Foamed-in polyurethane cell insulation
- Chrome plated taps
- 1 year warranty parts and labour; 5 years on compressor

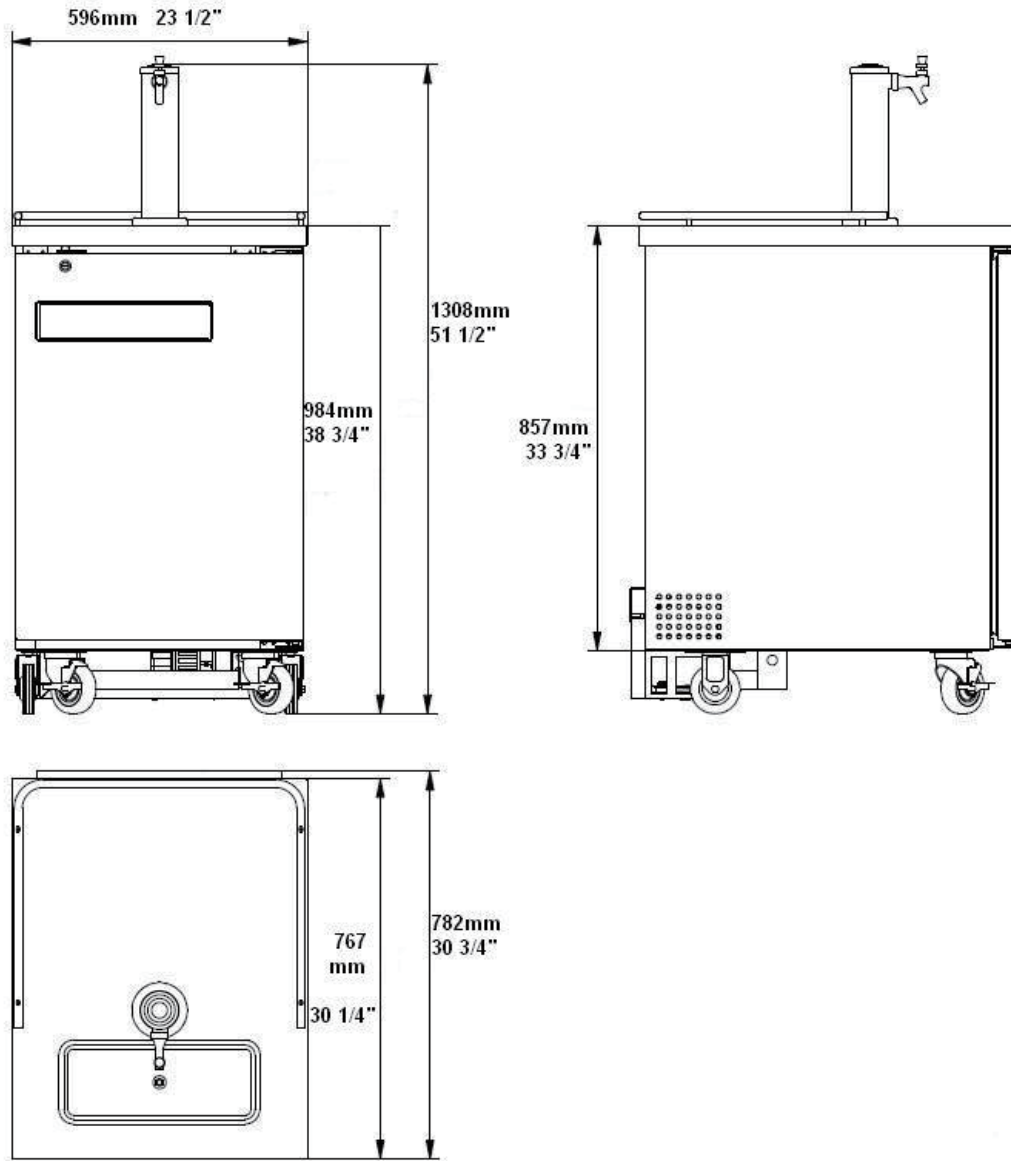
Specifications subject to change without notice



WARRANTY
INFORMATION
One year parts and
labour. Five years on
compressor



CBBDD1-24CC Specifications



Model	Doors	Dimension (mm) (inch)			HP	Voltage	Amps	Capacity 1/2 Barrels	Net Weight (KG) (LBS)	Temperature Range	NEMA Config.
		L	D	H							
CBBDD1-24CC	1	596.9	782.3	985.5	1/6+	115/60/1	1.92	1	79.8	0.5 ~ 3.3°C	5-15P ⓘ
		23.5	30.8	38.8					176	33 ~ 38°F	