



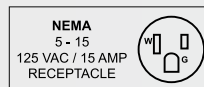
SERVING THE FOOD INDUSTRY SINCE 1951

AURORA 48" UNDER COUNTER FREEZER WITH 2 DOORS - 320 L CAPACITY

Item: 59055 Model: FR-CN-1219E-HC

MAIN FEATURES

- ▶ Durable and spacious
- ▶ High quality stainless steel 304
- ▶ CFC free refrigerant and foam
- ▶ Digital temperature controller and LCD display (Carel)
- ▶ Ventilated, automatic defrosting and evaporation of condensation water
- ▶ Adjustable heavy-duty PVC coated shelves
- ▶ Round interior corners for easy cleaning
- ▶ Self-closing doors fitted and durable door lock
- ▶ Castor with brake



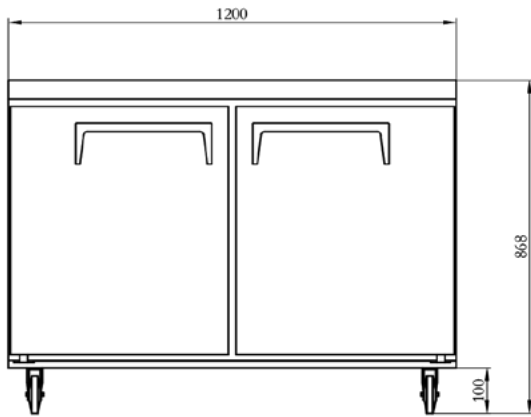
Authorized Dealer

AURORA 48" - 320 L UNDER COUNTER FREEZER

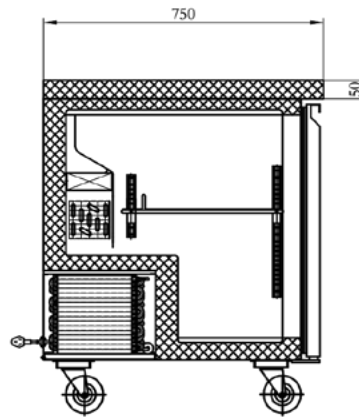


TECHNICAL DRAWINGS & DIMENSIONS

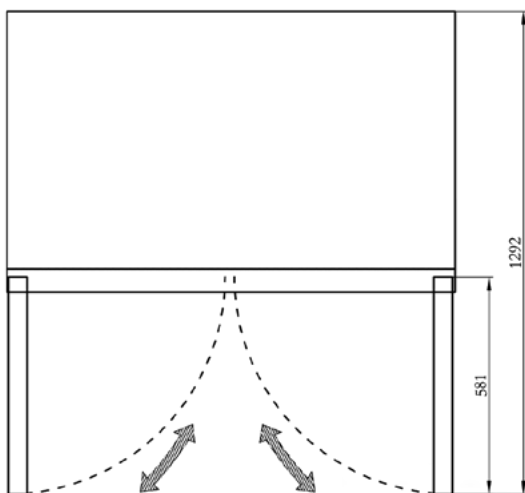
*measurements in diagrams are in mm



ELEVATION



SECTION VIEW



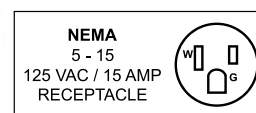
PLAN



TECHNICAL SPECIFICATIONS

Aurora 48" Under Counter Freezer with 320 L capacity

Item Number	59055
Model	FR-CN-1219E-HC
Net volume	11.3 cu.ft / 320 L
Temperature Range	-22°C ~ -18°C -8°F ~ -0°F
Refrigerant	R290
Electrical	110V / 60Hz / 1Ph
Power	352W / 0.47HP
Current	3.72 A
Isolation Material	Cyclopentane
Cooling System	Ventilated
Defrosting	Automatic
Number of Door	2
Number of Shelves	2
Self-closing Door	YES
Shelf Material	Plastic Coated
Shelf Loading Capacity (Per PC)	88 lbs / 40 kg
Exterior Dimensions (WDH)	47.2" x 29.5" x 35.2" 1200 x 750 x 895 mm
Interior Dimensions (WDH)	42.6" x 19.8" x 23.5" 1083 x 504 x 597 mm
Net Weight	214 lbs / 97 kg
Gross Weight	275.6 lbs / 125 kg



This equipment is intended for indoor environment using where

ambient temperature do not exceed **24°C / 75°F** & **55%** relative humidity

OMCAN INC.

Telephone: 1-800-465-0234

Fax: (905) 607-0234

Email: sales@omcan.com

Website: www.omcan.com

Follow us to keep up to date with the latest news and offers

