



AX-CL06D

Full Size Combi Oven
Digital Controls - Reversing Fans - 6 Shelves



| | | |
|-------------------------------------|--|--|
| Digital controls | Time, temperature, steam, 4 cooking cycles for each program, automatic pre-heating | Features <ul style="list-style-type: none">• Advanced airflow design• Automatic reversing fans - 2 speeds• Digital programmable controls / 99 program automatic pre-heating / 4 cooking cycles for each program• Interior halogen light• Includes electro valve for direct water connection• Core food probe included / Delta T Cooking• Adjustable steam percentage (0-100%)• Adjustable exhaust flue• Heavy duty stainless steel body construction• "Cold Door" design with double pane glass• Reinforced door hinges• Oven cavity is insulated with ultra-high temperature fiberglass insulation• 3 Stainless steel wire shelves• Micro safety switch shuts oven off when door is open• Self-cleaning cycle• Ovens can be stacked (kit required)• Warranty: 2 year parts & 1 year labor exclusive of lights, gaskets and glass (60 days) |
| Load capacity | 6 shelves for full size sheet pans | |
| High speed reversing fans | 2 (3,200 rpm) | |
| Space between shelves | 3.14" (80 mm) | |
| Power requirements | 14,000 Watts / 208-240V/60/3 Oven supplied with power cord only / no plug | |
| Temperature | 86° - 500° F | |
| Equipped with | 16 hour timer Signal at end of cycle | |
| Cavity size (inches) | 28.35 x 22.20 x 24.10 (WxDxH) | |
| Unit dimensions (inches) | 38.60 x 33.64 x 36.35 (WxDxH) | |
| Shipping dimensions (inches) | 41.35 x 40.55 x 39.37 (WxDxH) | |
| Net / Ship weight | 220 lb / 263 lb | |

COMBI ACCESSORIES



AX-C6ST OVEN STAND

- Heavy duty oven stand with tray support
- Slides accommodate full size pans
- Dimensions: 23.30" x 20.87" x 31.50"
- Heavy duty stainless steel (assembly required)
- Shipping weight: 50 lbs
- Shipping dimensions: 37.40" x 24.80" x 7.88"



R15 CASTERS

Set of 4 (2 with brakes)



STACKING KIT



HEAVY DUTY DEGREASER RTU

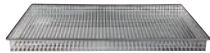


COMBI OVEN CLEANER



WATER FILTER

COMBI OVEN TRAYS



124-GP31 FRY GRID



124-GP32 GRIDDLE GRID



124-GP28 GRANITE MULTI-BAKING TRAY



124-GP36 MULTIFUNCTIONAL NON STICK ALUMINUM TRAY



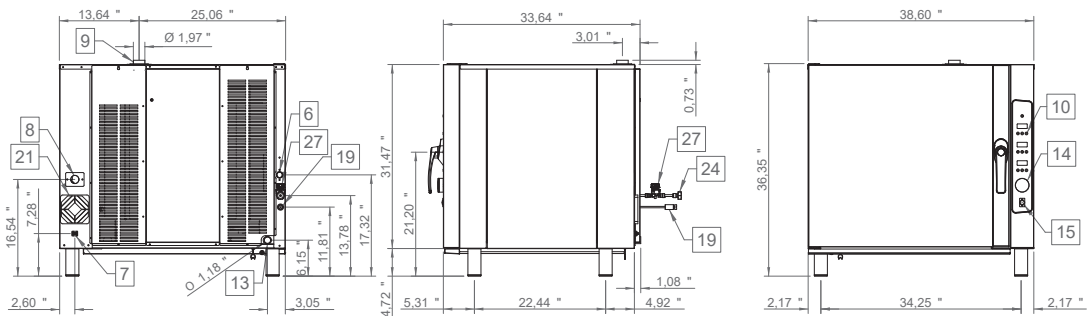
124-PT12 60X40 ALUMINUM PERFORATED TRAY



124-PT13 60X40 ALUMINUM TRAY

LINE DRAWINGS

AX-CL06D



514-737-9701 786-600-4687

TOLL FREE: 888-275-4538

TOLL FREE: 844-218-8477

5659 ROYALMOUNT AVE, MONTREAL, QC, CANADA H4P2P9

12000 BISCAYNE BLVD, SUITE #108, MIAMI, FL, USA 33181

MVPGROUPCORP.COM SALES@MVPGROUPCORP.COM