



# RADIANT CONVEYOR TOASTER

XTRM-1 (1.5" opening) | XTRM-2 (1.5" opening) | XTRM-2H (3" opening)  
XTRM-3 (1.5" opening) | XTRM-3H (3" opening)



X\*TRM-1



X\*TRM-2



X\*TRM-3



## X\*Treme® Series Toasters

- Holds toast at the perfect temp.
- Handles breads, bagels or muffins
- Variable conveyor speed for optimum toast color and texture
- Easily accessible conveyors and crumb trays are simple to clean
- Self-dispensing bread drawer
- Power saver switch reduces energy consumption by 50%.
- XTRM-2 air circulation system senses toaster cavity temperature for the fastest startup.
- XTRM-2 and XTRM-3 feature independantly controlled top and bottom heating elements
- XTRM-3 features includes exclusive pre-heat convection system

## Options & Accessories

- Stacking Kit (XTRM-2 & XTRM-3)

## Construction

- Stainless steel housing with powder-coated aluminum front corners
- Metal sheathed heating elements out-perform competitive quartz tube heating
- XTRM-2 and XTRM-3 feature stainless steel conveyor belt
- One inch adjustable legs.

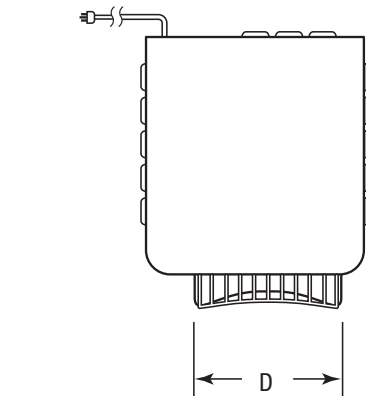
## Design Features

- Small counter space footprint
- “Cool Touch” exteriors prevent injuries
- Power saver switch reduces energy consumption by 50%.
- Removable side panel for service
- High temperature bearings never require lubrication.

## Agency Listings

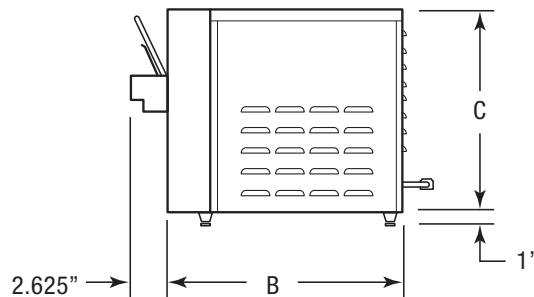
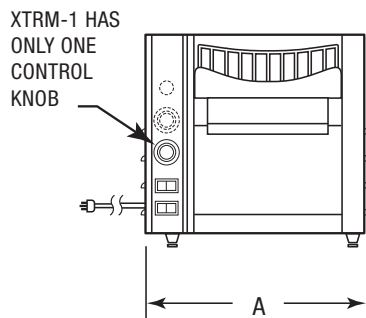


## Dimensions



Model	A (Width)	B (Depth)	C (Height)	D (Opening)
XTRM-1	15.19"	16.75"	12.22"	10.5"
XTRM-2	15.69"	16.75"	15.0"	10.5"
XTRM-2H	15.69"	16.75"	16.5"	10.5"
XTRM-3	18.69"	17.03"	15.0"	13.5"
XTRM-3H	18.69"	17.03"	16.5"	13.5"

*Product opening height is 1 1/2" on the XTRM-2 and XTRM-3  
Product opening height is 3" on the XTRM-2H and XTRM-3H*



## Toasting Capacity

**XTRM-1:** 350 slices per hour

**XTRM-2:** 800 slices per hour | **XTRM-2H:** 600 slices per hour

**XTRM-3:** 1050 slices per hour | **XTRM-3H:** 800 slices per hour

## Construction

Stainless steel top skirt, grease trough, grease collector drawer, and front panel. Stainless steel radiant. Aluminized steel sides and back panel. 4" adjustable legs. Welded construction. Field convertible and adjustable gas regulator.

## Electrical Specifications

Equipped with a 39", three wire grounded power cord and standard three pronged male plug. U.S. 120V units use a NEMA 5-15P plug. Canadian 120V unit use a 5-20P plug. 208V, 240V and 230V use a NEMA 6-20P.

**XTRM-1:** 120V, 1725W, 14.4 Amps | 208V, 1725W, 8.2 Amps | 240V, 1725, 7.2Amps | Export 230V, 1725, 7.5Amps

**XTRM-2 & XTRM-2H:** 208V, 2840W, 13.6Amps | 240V, 2840W, 11.8Amps | 230V, 2840W, 12.3Amps

**XTRM-3 & XTRM-3H:** 208V, 3340W, 16Amps | 240V, 3340W, 14Amps | 230V, 3340W, 14Amps

## Shipping

**XTRM-1:** 45 lbs (15.8kg)

**XTRM-2:** 50 lbs (22.7kg) | **XTRM-2H:** 54 lbs (24.5kg)

**XTRM-3:** 56 lbs (25.4kg) | **XTRM-3H:** 61 lbs (27.7kg)

**Freight Class:** 100

**FOB:** Standex Dock

© 2014 APW Wyott All rights reserved.