



Model ACE19V shown

High Speed Combination Oven Amana® Commercial Model ACE19V

Power Output

- Convection:
 - 2700 W
 - 150° - 475° F (65° -250° C) temperature range
 - Convected air for enhanced toasting and browning
- Microwave:
 - 1900 W
 - Heats very quickly, reduces cooking time

Cuts Costs

- *No need for costly ventilation hood - catalytic convertor filters grease and odors from the air. Integrated recirculating catalytic converter.*
- Uses less energy than a conventional oven.
- Eliminates need for pre-cooking and holding.
- Uses quarter size metal trays, pans and screens.

Simplifies Cooking

- Touch pad operation for consistent results.
- Controls are intuitive and simple to use.
- Stores up to 100 menu items.
- Four stage cooking option.
- USB Port compatible with standard flash drives, updates programming in seconds.
- 1.2 cubic ft. (34 liter) oven capacity.
- Door opens 90°+ for full access to the oven cavity.
- Dual rack position for optimal and consistent cooking results.

Easy to Use and Maintain

- Braille touch pads are ADA compliant.
- Stainless steel exterior and interior.
- Removable, cleanable air filter and clean filter reminder protect oven components.
- Backed by the ACP, Inc. 24/7 ComServ Support Center 866-426-2621.

Heavy Volume | Combination Cooking

This category of combination oven is ideal for...

Application:

- Wine bars
- Pubs
- Kiosks
- Supermarkets
- Country club,
- Bakery/cafés
- Convenience stores

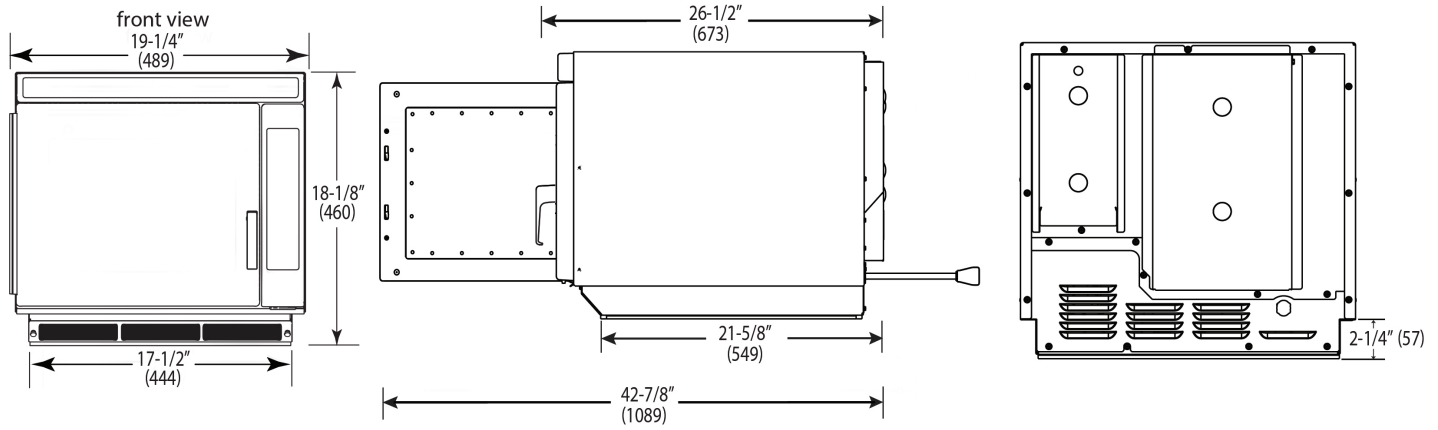
Location of oven(s):

- Kitchen shelf
- Kitchen countertop, single or stacked
- Equipment stand, single or stacked

All ACP, Inc. commercial ovens are supported by our Culinary Center. Do not hesitate to contact us for any questions regarding food preparation, menu development and cooking times: testkitchen@acpsolutions.com



Amana® Commercial Model ACE19V | High Speed Combination Oven



Drawings available from
KCL CADlog - techs@kclcad.com

Installation Clearances - Top: 4" (102), Sides: 1" (25), Back: None

Specification #:

Specifications			
Model	ACE19V	728028376760	
Cooking Power*	2700W	1900W	
	Convection	Microwave	
Configuration	Countertop		
Control System	Touch		
Programmable Control Pads	10		
Braille	Yes		
Total Programmable Settings	100		
Power Levels	11		
Max. Cooking Time	16:00		
Stackable	Yes		
Time Entry Option	Yes		
Microwave Distribution	Rotating antennas, top		
Magnetrons	2		
Display	LED-backlit LCD		
Stage Cooking	Yes, 4		
Door Opening	Lift & Pull		
Automatic Voltage Sensor	Yes		
USB Port	Yes		
Temperature Range	150° - 475° F (65° - 250° C)		
Air Filter	Yes, removable, with clean filter reminder		
Rack	2 positions, 1 removable rack		
Exterior Dimensions	H 18 1/8" (460)	W 19 1/4" (489)	D** 26 1/2" (673)
Cavity Dimensions	H 10 1/2" (267)	W 13" (330)	D 15" (381)
Door Depth	39 1/8" (994), 90°+ door open		
Usable Cavity Space	1.2 cubic ft. (34 liter)		
Exterior Finish	Stainless steel		
Interior Finish	Stainless steel		
Power Consumption	5300 W, 26 A		
Power Output*	1900 W* Microwave		
Power Source	208/240 V, 60 Hz, 30 A single phase		
Plug Configuration / Cord	NEMA 6-30	5 ft. (1.5 m)	
Frequency	2450 MHz		
Product Weight	114 lbs. (52 kg)		
Ship weight (approx.)	118 lbs. (54 kg)		
Shipping Carton Size	H 21 1/2" (546)	W 21 1/4" (540)	D 29 3/4" (756)

Specifications

Oven shall combine two cooking modes: convection and microwave for high speed cooking. Control panel shall be programmable with the ability to program up to 100 menu items, single or double digit entry. Programs shall be automatically updated using a USB Port that is compatible with standard USB flash drives. There shall be 11 power levels and 4 cooking stages. Microwave output shall be 1900 watts and distributed from the top of the cavity. An automatic voltage sensor shall accommodate both 208 and 240 volts. The 2700 watt convection oven shall provide a temperature range from 150° - 475° F (65° - 250° C) in 5° increments. The convection fan located in the back of the cavity shall distribute the heat throughout the cavity to further enhance browning. Maximum microwave cooking time shall be 16 minutes. Oven shall have a stainless steel exterior. 1.2 cubic ft. (34 liter) oven cavity shall be stainless steel construction with stainless oven door. Interior shall have 2 rack positions and 1 removable rack. Air filter shall be easily accessible and removable from the front of the oven and have a "clean filter" reminder feature. Oven shall be stackable. Microwave oven shall comply with standards set by the U.S Department of Health and Human Services, and ETL listed for safety and sanitation.

Optional Accessories

- Pizza stone
- Drip tray
- Oven paddle

Warranty

Warranty Certificate for this product can be found on the ACP, Inc. website at:

www.acpsolutions.com/warranty

Service

All products are backed by the ACP, Inc. 24/7 ComServ Support Center.



866-426-2621

AIA File #:

Measurements in () are millimeters

* IEC 60705 Tested ** Includes handle

Part No. 20155016
Updated 3/2/2017
Original Instructions



© 2017 ACP, Inc.
Cedar Rapids, Iowa 52404

225 49th Ave. Dr. SW Cedar Rapids, IA 52404 U.S.A.

800-233-2366

319-368-8120

Fax: 319-368-8198

www.acpsolutions.com