

# MULTI-PURPOSE REFRIGERATED COUNTERS

BL



BL-84SC

**MODELS**  
**BL**



PROJECT \_\_\_\_\_  
ITEM \_\_\_\_\_

## DESCRIPTION

- General use refrigerator with compressor (model SC) or without (model R).
- Stainless steel front, top and 6" (152 mm) backsplash.
- Painted steel back and sides.
- Anodized aluminum interior with stainless steel floor.
- Polyurethane insulated doors with magnetic gaskets.
- Automatic interior light.
- Tubular steel legs with adjustable bullet feet.
- Hermetically sealed compressor with easy access blower coil.
- One adjustable epoxy coated wire shelf per door.
- Temperature range from 32°F to 41°F (0°C to 5°C).

## OPTIONS

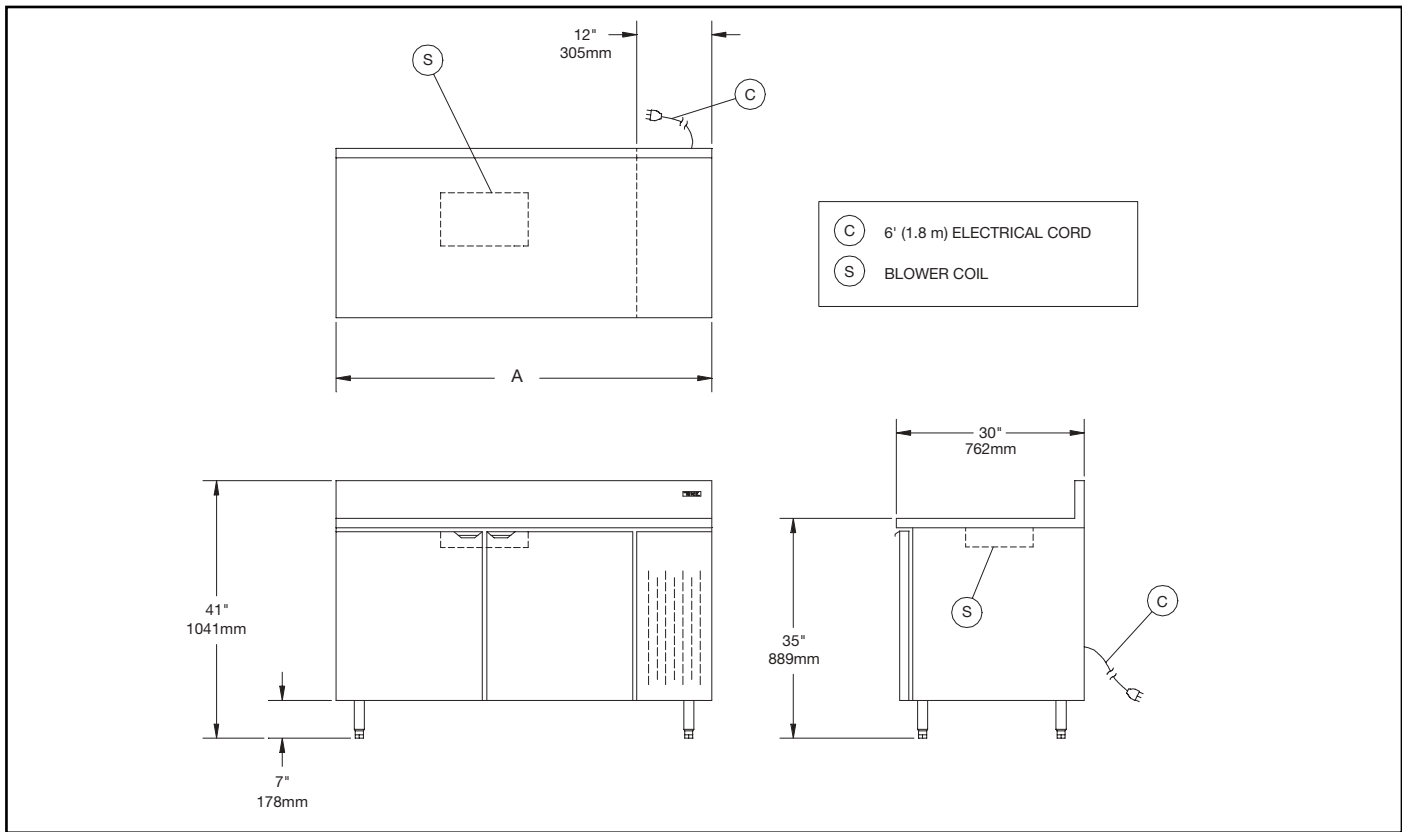
- White polyethylene cutting board.
- 1 3/4" (45 mm) thick laminated maple wood top.
- Stainless steel sides, back, legs and interior.
- 115 V. electrical outlets.
- Door locks.
- Extra shelves.
- Electric evaporator pan. (Remote models only)

M.K.E. Industries (1984) Inc.

183 Montcalm Blvd. N. Candiac Qc J5R 3L6 Tel: (450) 659-6531 / 1-800-361-9801 / Fax: (450) 659-2248

www.mke-ind.com

10/02



#### SELF-CONTAINED COMPRESSOR

Model	Length A	Depth	Height	Doors		Inside Volume	Voltage	Compressor	Current (Amps)	Volume	Weight
				Quantity	Width						
<b>BL-48SC</b>	48" 1219 mm	30" 762 mm	35" 889 mm	2	18" 457 mm	10 ft <sup>3</sup> 283 L	115 V	1/4 HP	6.2	77.3 ft <sup>3</sup> 2.19 m <sup>3</sup>	420 lbs. 191 kg
<b>BL-60SC</b>	60" 1524 mm	30" 762 mm	35" 889 mm	2	24" 610 mm	13.8 ft <sup>3</sup> 391 L	115 V	1/4 HP	6.2	92.8 ft <sup>3</sup> 2.63 m <sup>3</sup>	525 lbs. 238 kg
<b>BL-72SC</b>	72" 1829 mm	30" 762 mm	35" 889 mm	3	20" 508 mm	17.5 ft <sup>3</sup> 496 L	115 V	1/3 HP	8.1	108.2 ft <sup>3</sup> 3.07 m <sup>3</sup>	600 lbs. 273 kg
<b>BL-84SC</b>	84" 2134 mm	30" 762 mm	35" 889 mm	3	24" 610 mm	21.3 ft <sup>3</sup> 603 L	115 V	1/3 HP	8.1	123.7 ft <sup>3</sup> 3.50 m <sup>3</sup>	680 lbs. 310 kg
<b>BL-96SC</b>	96" 2438 mm	30" 762 mm	35" 889 mm	4	20" 508 mm	25.1 ft <sup>3</sup> 710 L	115 V	1/3 HP	8.1	139.1 ft <sup>3</sup> 3.94 m <sup>3</sup>	760 lbs. 346 kg
<b>BL-112SC</b>	112" 2845 mm	30" 762 mm	35" 889 mm	4	24" 610 mm	28.8 ft <sup>3</sup> 816 L	115 V	1/3 HP	8.1	159.7 ft <sup>3</sup> 4.52 m <sup>3</sup>	840 lbs. 381 kg
<b>BL-120SC</b>	120" 3048 mm	30" 762 mm	35" 889 mm	5	20" 508 mm	31.6 ft <sup>3</sup> 895 L	115 V	1/2 HP	10.8	170.1 ft <sup>3</sup> 4.82 m <sup>3</sup>	950 lbs. 432 kg

\* Specifications may change without notice due to continuous product improvement

M.K.E. Industries (1984) Inc.

183 Montcalm Blvd. N. Candiac Qc J5R 3L6 Tel: (450) 659-6531 / 1-800-361-9801 / Fax: (450) 659-2248

www.mke-ind.com