



SERVING THE FOOD INDUSTRY SINCE 1951

STAINLESS STEEL COFFEE URN

ITEM: 80533



This contemporary stainless steel coffee urn is a perfect product to complement any hotel beverage station, catering, or buffet operation. This urn features elegant mirror-finished stainless steel that provides an upscale look and helps accentuate any food presentation. Designed with an elevated fuel can holder and comes with a cradle for chafing fuels cans. Great for serving hot or cold beverages.



LIMITED WARRANTY



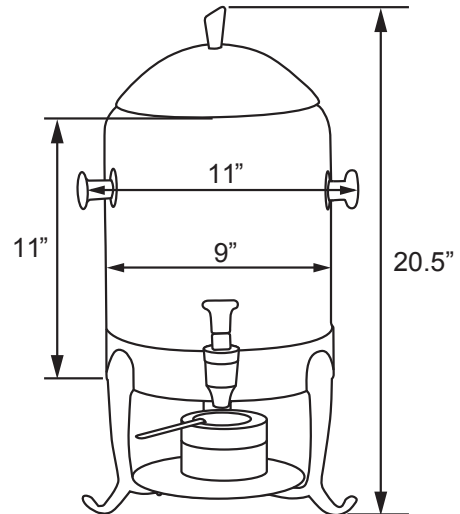
Authorized Dealer

FOOD EQUIPMENT

STAINLESS STEEL COFFEE URN



TECHNICAL SPECIFICATION



TECHNICAL SPECIFICATION

ITEM NUMBER	80533
DESCRIPTION	Stainless steel coffee urn. Come with a burner
CAPACITY	11 L
WEIGHT	3 lbs./ 1.4 kgs.
DIMENSION	11" x 20.5" / 279.4 x 520.7 mm

PARTS



OMCAN INC.

Telephone: 1-800-465-0234
 Fax: (905) 607-0234
 Email: sales@omcan.com
 Website: www.omcan.com



Follow us to keep up to date with the latest news and offers

