



Job: _____

Item No. _____

DESIGNED FOR MEDIUM VOLUME APPLICATIONS

10 Gallons per Hour per side & 14 Quart Capacity per side

OFFER TWO DIFFERENT FLAVORS IN ONE MACHINE!

The **SaniServ** model 791 Counter Model Frozen Beverage Freezer can provide two frozen beverage favorites in one machine! With an independent drive system in each side of the machine, product can be easily maintained and or changed in either side when desired! The mix pan is also refrigerated to ensure quicker recovery time. By offering not one, but two frozen products, owners and operators will insure every customer stays satisfied and increase their operating profits!

SPACE SAVING

Small Footprint Design - SaniServ model 791 provides two frozen beverage flavors in a counter-top model design. Operators will enjoy the ease of operation and the versatility to offer two different types of frozen beverages that customers desire at the same time!

EASY CLEANING AND OPERATION

Fewer Parts = Simplified Cleaning – SaniServ equipment is designed and built with the fewest parts to be disassembled, cleaned and sanitized than any other machine in the industry. The state of the art solid-state **AccuFreeze** control insures product consistency, worry-free operation and customer satisfaction.

HIGH RETURN ON INVESTMENT

Increased Profits – SaniServ machines combine affordable efficiency with consistent product quality and fast, quiet operation to insure customer satisfaction with high profit frozen beverages.

QUALITY DESIGN

Durability – SaniServ machines are built to achieve long and dependable life through simplicity of design. Every machine is shipped standard with a stainless steel exterior, durable steel interior frame construction, heavy-duty components and consistency systems.

Model 791

Twin Flavor Counter Model
Frozen Beverage Machine
With **AccuFreeze** Control



Made in USA

We reserve the right to change specifications and product designs without notice. Such revisions do not entitle the buyer to corresponding changes, improvements, additions or replacements for previously purchased equipment.

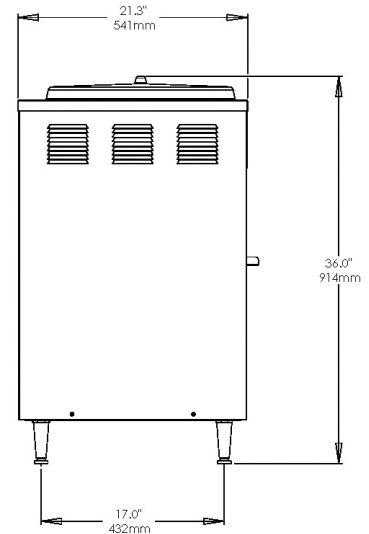
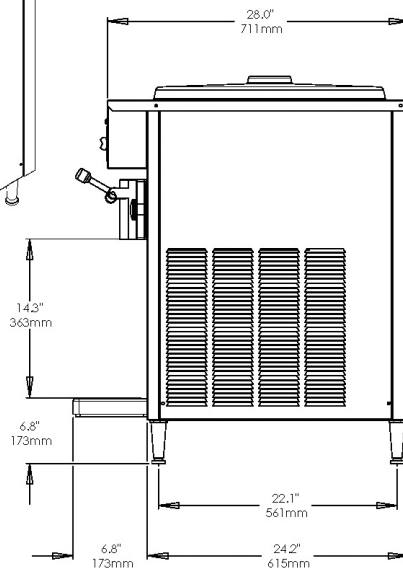
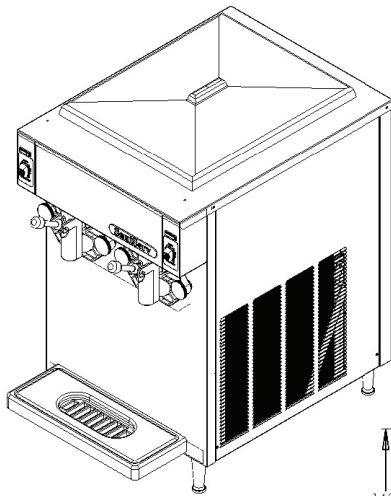
451 E. County Line Rd. • P.O. Box 1089 • Mooresville, IN 46158
Toll Free 800-733-8073 • Local 317-831-7030 • Fax 317-831-7036

www.saniserv.com

VER: 1-13

MODEL 791

Counter Model *Twin Flavor Frozen Beverage/Cocktail Freezer*



Minimum Wall Clearance
Both Sides and Back -
6 inches (152 mm)

ELECTRICAL				WIDTH	HEIGHT	DEPTH	WEIGHT	VOLUME
VOLTS	Hz	Ph.	Amps	INCHES (MM)	INCHES (MM)	INCHES (MM)	LBS. (Kg)	CU FT. (cu. m.)
208-230	60	1	20	21.3 (541)	36 (914)	28 (711)	249 (118)	
208-230	60	3	15					
Shipping Specifications				31.5 (800)	36.5 (927)	40.5 (1029)	350 (159)	29.6 (.83)

Specifications:

Cooling System:

Air Only

Dasher and Compressor Motors:

(2) 1/4 HP Dashers
(1) 1 HP Compressor

Refrigerant Type:

R404A

Listings:

UL, NSF

Features:

Evaporator and Mix Reservoir

Capacity:

14 Quarts (13.2 liters)

Dasher:

Heavy-Duty Stainless Steel with low friction scraper blades.

Controls:

AccuFreeze solid-state control for accurate product consistency.

Solid State Audio/Visual Mix Out System with Compressor Lockout

Warranty:

Parts 1 year
Compressor 5 years
Evaporator 5 years

Options:

Tune Up Kit Parts Tray
Drink Spinner Syrup Rail
Auto-fill Machine Stand
Export Voltages
Remote Condenser*

* Requires a remote condensing unit (condenser & compressor) connected by two refrigeration lines.