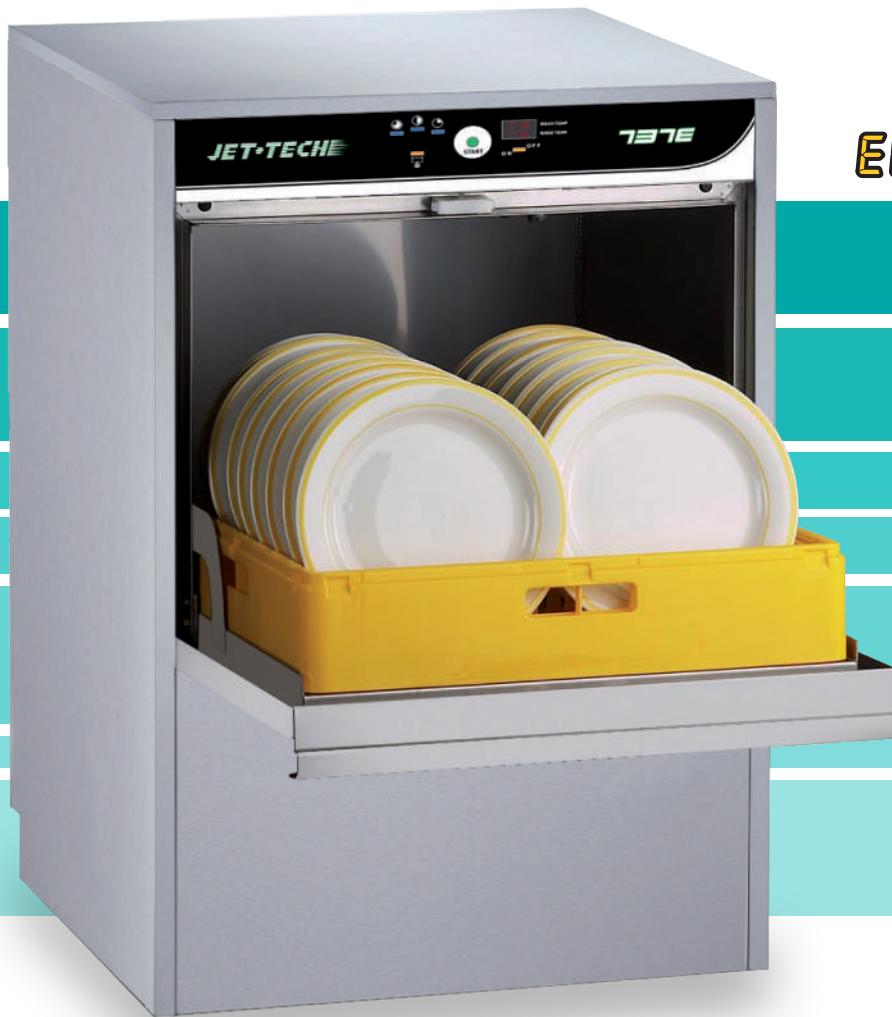


Project name:	
Location:	
Item:	Qty:
Model:	



737E

HIGH-TEMP UNDERCOUNTER
DELUXE DISHWASHER

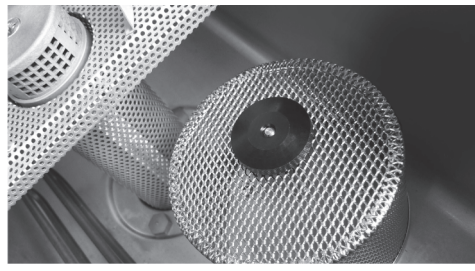
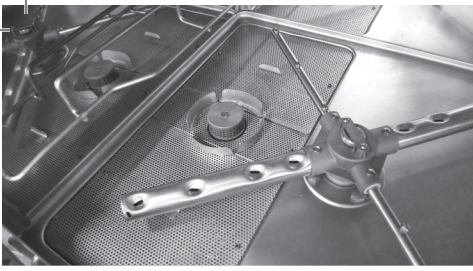
ELECTRONIC SERIES

- **ThermoStop™ System** – Guarantees 185F (85C) final rinsing temperature, regardless of incoming water temperature
- **OneGO™** – Our electronic control system featuring intelligent software LED interface and multiple function analysis. OneGO™ soft touch buttons allows you to run a selection of three different cycle times, all in one easy touch!
- **SmartSelf diagnostics** – have all necessary advanced service diagnostics information at your fingertips!
- **EasyGO** – Our ‘soft-start’ washing system protects your valuable dishes and glassware from any chippage or breakage
- **EnergyStar** qualified – extremely low water and electrical consumption maximizing your profits
- Model 737E is fully equipped with a built-in booster for high temperature rinse water, automatic peristaltic pumps for both liquid detergent and rinse-additive, and an automatic drain pump that has the exclusive ‘wash-down’ feature at the end of the work day for a self-cleaning operation.

OPTIONS:

- Pressure reducing valve (PRV)
- Drain water tempering kit
- Stainless steel stand





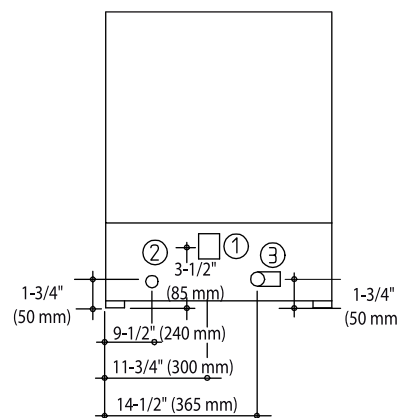
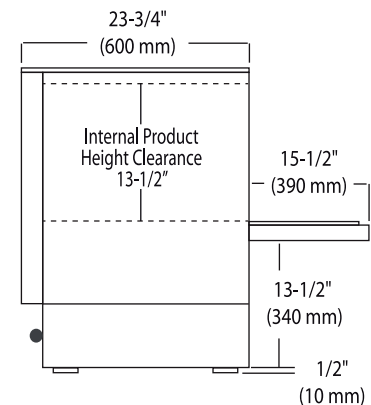
CONSTRUCTION FEATURES

- Body, external housing, wash tank and all chassis component in brushed stainless steel AISI 304 18 gauge
- Noise 58 DbA due to utilization of double-walled insulated panels
- Standard insulated top and side panels
- Upper and lower wash and rinse jets on revolving arms constructed of stainless steel; easy to remove and clean without the need for tools
- Integrated AISI 304 18/10 stainless steel booster with insulated lining
- Safety micro-switch on the door to interrupt wash pump action
- Reinforced door hinge system
- Independently-operated heating elements alternating between booster and wash tank
- Alternating heating resistors reducing maximum absorption thereby reducing energy costs
- Possibility of built-in or free-standing installation
- Inner washing chamber with coved corners and one-piece stamped wash tank provides user with the most sanitary environment. Our recessed wash tank makes the 737E ideally suited for marine applications.
- Wash pump protected with double scrap filters, plus additional filter for overflow tube
- Door-opening with overall clearance of 13.5 in. (342 mm)
- Automatic fill and water level regulation of tank
- Slide out integrated front control panel provides easy access for technical service
- Front mounted electronic control panel with digital temperature displays
- Standard equipment includes : One open combination rack and one peg dish rack 19.75" x 19.75" (500 mm x 500 mm)

TECHNICAL FEATURES

- **Rack capacity:** 19.75" x 19.75" (500 mm x 500 mm)
- **Total cycle:** 2-3-4 minutes
- **Hourly production:** 30/20/15 racks/hr. (540/360/270 dishes/hr.)
- **Wash tank capacity:** 3.43 U.S. Gallons (13 Litres)
- **Booster capacity:** 1.85 U.S. Gallons (7 Litres)
- **Wash temperature:** 150°F (65°C) minimum / controlled electronically
- **Final rinse temperature:** 185°-194°F (85°-90°C.) minimum / controlled electronically
- **Incoming water temperature:** Minimum 122°F. (50°C.)
- **Incoming water pressure:** 30 p.s.i. (2 bar)
- **Water consumption per cycle @ 30 psi:** 0.74 U.S. Gallons (2.8 Litres)
- **Washing pump power:** 1.0 H.P.
- **Power supply:** 208V/60HZ
- **Tank heating element:** 2.8 KW
- **Booster heating element:** 4.0 KW
- **Maximum power rating:** 4.6 KW - 22.12 amps
- **Machine weight:** 165 lbs. (75 kg.)
- **Ship weight:** 212 lbs. (96.3 kg.)

- ① ELECTRICAL CONNECTION
- ② WATER CONNECTION
- ③ WATER DRAIN



MVP GROUP CORP.

5659 Royalmount Ave., Montreal, Qc, Canada H4P 2P9

TEL: (514) 737-9701 - TOLL FREE: (888) 275-4538

FAX: (514) 342-3854 - TOLL FREE FAX: (877) 453-8832

www.mvpgroupcorp.com - sales@mvpgroupcorp.com

JET-TECH is a registered trade mark of MVP Group.
Specifications subject to change without notice.