



# REFRIGERATION

SERVING THE FOOD INDUSTRY SINCE 1951

## 76-INCH CHEST FREEZER WITH SOLID FLAT TOP

Item: 46505 Model: FR-CN-0600

*Designed to merchandise and provide increased sales of frozen novelties and seasonal specialties*



- Perfect for convenience stores, ice cream shops, supermarkets, and/or restaurants
- Hinged lid design enables it to stay open while consumers are loading / taking out items without having to hold it up for hours

- Spacious to keep your frozen products in proper food storage temperature
- Pre-coated steel interior walls
- Fits maximum of 6 baskets (Sold separately)



**WARRANTY**  
PARTS AND LABOR



Authorized Dealer

# REFRIGERATION

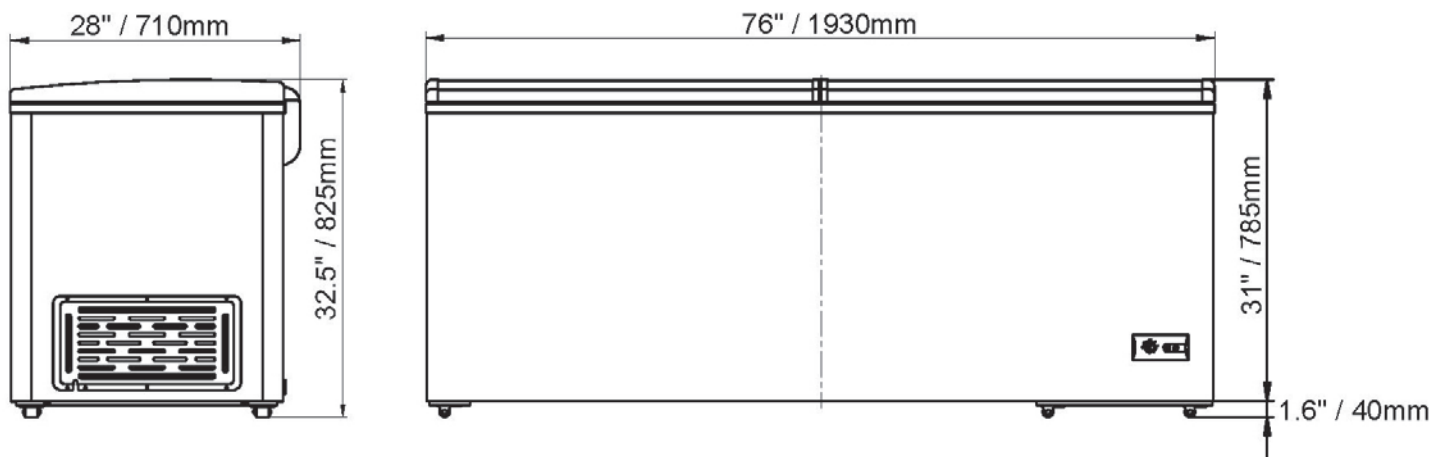
## 76-INCH CHEST FREEZER WITH SOLID FLAT TOP



### TECHNICAL SPECIFICATIONS

ITEM NUMBER	46505	DEFROST	Manual
MODEL	FR-CN-0600	FOAMING COMPONENT	Cyclopentane
CAPACITY (CU. FT.)	20 cu. ft.	AMP	3.6
POWER	1/2+ HP	NEMA PLUG	5-15A
REFRIGERANT	R290	EXTERIOR MATERIAL	Durable white powder coated steel
TEMPERATURE RANGE	-15°C to -22°C / 5°F to -8°F	INTERIOR MATERIAL	Precoated Steel
ELECTRICAL	115V / 60Hz / 1Ph	DOOR PANEL	Solid
NUMBER OF DOORS	2	DOOR TYPE	Hinged
NUMBER OF BASKETS INCLUDED	2 (Fits maximum of 6 baskets, sold separately)	LOCK	Yes
EXTERIOR DIMENSIONS (WDH)	76" x 28" x 32.5" 1930.4 x 710 x 825.5 mm	DEFROST DRAIN	Yes
GROSS DIMENSIONS	77.8" x 30.3" x 34.3" 1976 x 770 x 870 mm	INTERIOR LIGHT	No
WEIGHT	165 lbs. / 75 kg.	ADJUSTABLE THERMOSTAT	Mechanical
GROSS WEIGHT	209 lbs. / 94.8 kg.	CASTERS (Front / Rear)	(4) 2 with brakes, 2 w/o brakes
		CERTIFICATIONS	ETL, ETL SANITATION

### TECHNICAL DRAWINGS WITH DETAILED DIMENSIONS



### OMCAN INC.

Telephone: 1-800-465-0234

Fax: (905) 607-0234

E-mail: [sales@omcan.com](mailto:sales@omcan.com)

Website: [www.omcan.com](http://www.omcan.com)



Follow us to keep up to date with the latest news and offers

