



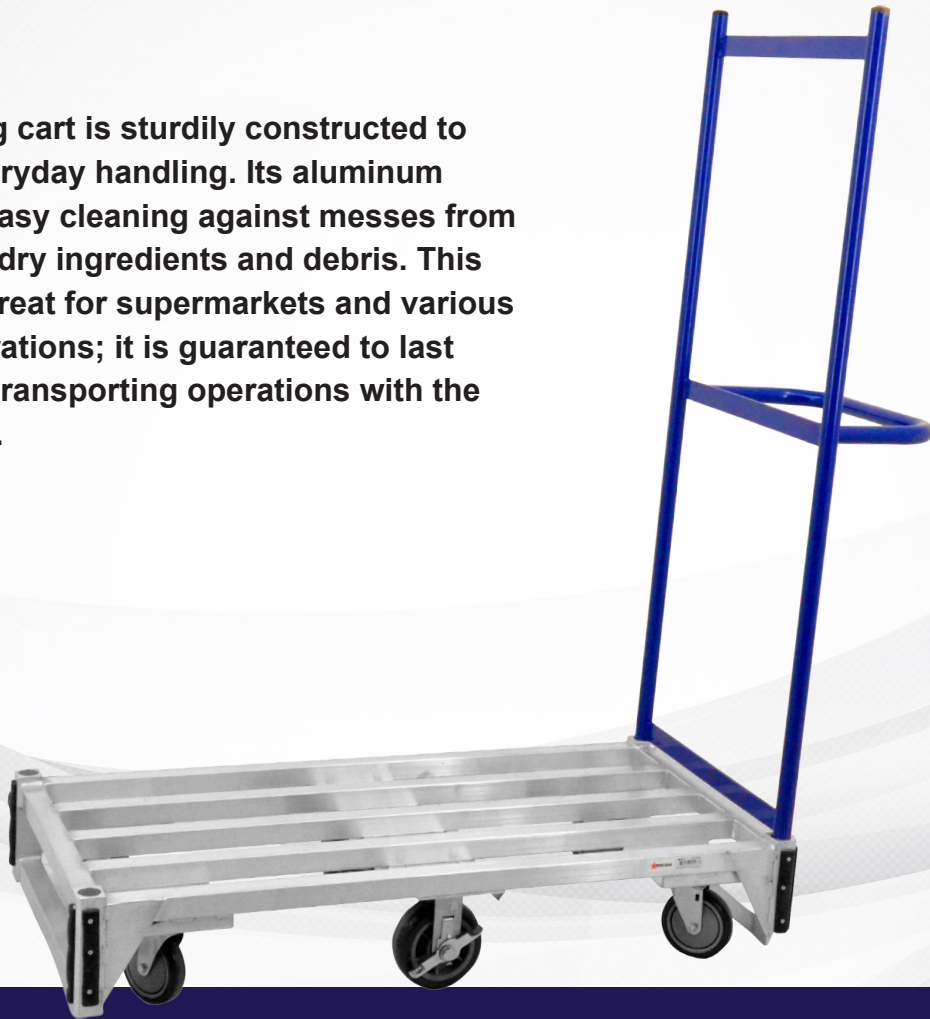
HANDLING AND STORAGE

SERVING THE FOOD INDUSTRY SINCE 1951

ALUMINUM STOCKING CART

Item: 45587

Omcan's stocking cart is sturdily constructed to endure tough everyday handling. Its aluminum body makes for easy cleaning against messes from food, beverages, dry ingredients and debris. This stocking cart is great for supermarkets and various food service operations; it is guaranteed to last throughout long transporting operations with the utmost efficiency.



WARRANTY



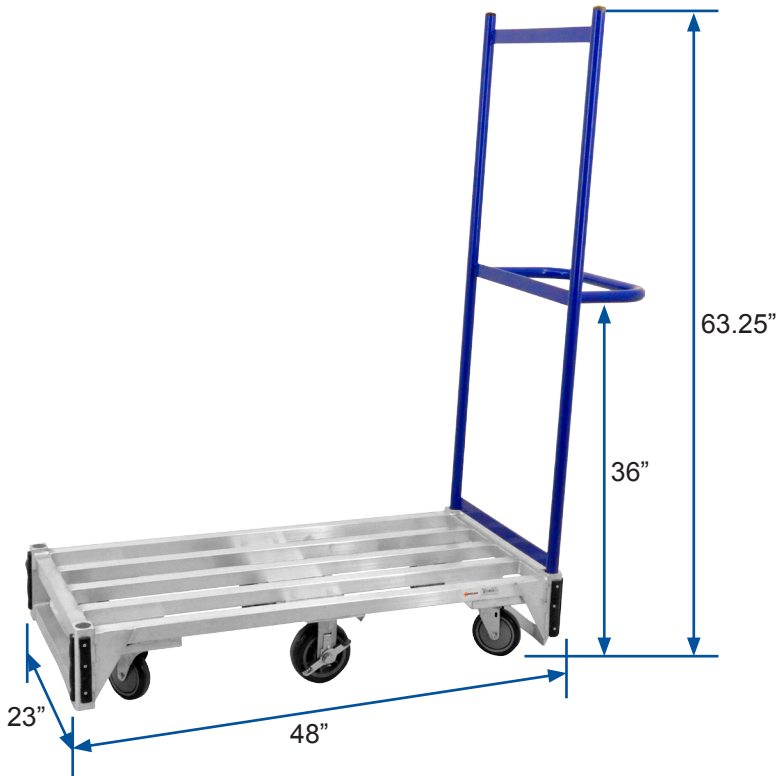
Authorized Dealer

HANDLING AND STORAGE

ALUMINUM STOCKING CART



DIMENSIONS



TECHNICAL SPECIFICATION

| | |
|----------------------|---|
| ITEM | 45587 |
| DESCRIPTION | Aluminum Stocking Cart |
| LOADING CAPACITY | 300 kgs |
| WEIGHT | 19.5 kg |
| PACKAGING WEIGHT | 20 kg |
| DIMENSIONS (DWH) | 23" x 48" x 63.25" / 584 x 1219 x 1606.6 mm |
| PACKAGING DIMENSIONS | 100" x 46" x 47" / 2550 x 1170 x 1200 mm |



OMCAN INC.

Telephone: 1-800-465-0234
 Fax: (905) 607-0234
 Email: sales@omcan.com
 Website: www.omcan.com



Follow us to keep up to date with the latest news and offers

