



REFRIGERATION

SERVING THE FOOD INDUSTRY SINCE 1951

52-INCH REFRIGERATED DISPLAY CASE

Item: 44544 Model: RS-CN-0370-L



Keep your products cool and fresh all day long!

Illuminate your products with this open refrigerated floor display case. Watch your products come to life in front of your customers with brilliant LED lighting and convenient pull-down curtain to ensure product freshness. This unit includes a digital temperature controller to customize all your settings! Bring this refrigerated floor display case to your convenience store, deli, bakery, restaurant, and start showcasing your products the right way to increase impulse sales!



WARRANTY
PARTS AND LABOR



Authorized Dealer

REFRIGERATION

52-INCH REFRIGERATED DISPLAY CASE



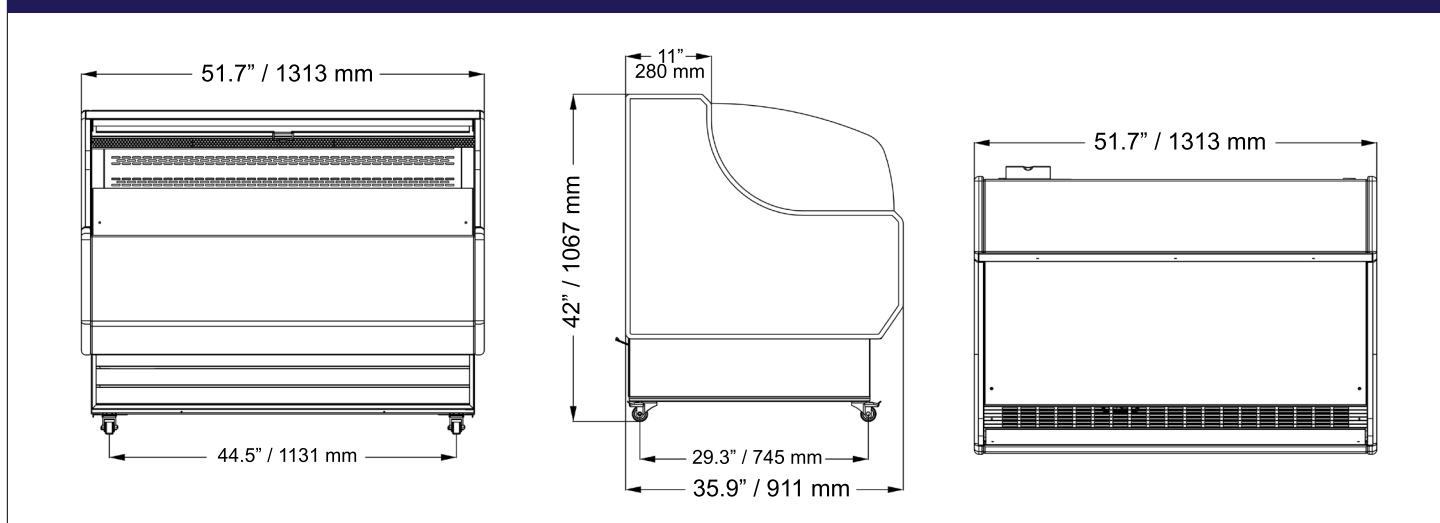
Features:

- Brilliant Internal LED illumination on sides
- Digital temperature controller and display
- Includes a durable night curtain
- 4 Casters with 2 breaks
- Ventilated cooling system
- Automatic defrost

TECHNICAL SPECIFICATIONS

ITEM NUMBER	44544	LAMP POWER (W)	3.2W
MODEL	RS-CN-0370-L	NO. OF SHELVES	1
CAPACITY	370 L / 13.07 cu. ft.	ELECTRICAL	110V / 60Hz / 1Ph
COMPRESSOR POWER	1 HP	NET DIMENSIONS (WDH)	51.7" x 35.9" x 42" 1313.18 x 911.86 x 1066.8 mm
RATED CURRENT (AMPS)	14.5A	GROSS DIMENSIONS	55.3" x 39" x 47.6" 1404.62 x 990.6 x 1209.04 mm
REFRIGERANT	R404a	NEW WEIGHT	346 lbs. / 157 kg.
TEMPERATURE RANGE	2 - 10°C / 35.6 - 50°F	GROSS WEIGHT	418.9 lbs. / 190 kg.
ELECTRICAL HEATING ELEMENT	450W		

TECHNICAL DRAWINGS WITH DETAILED DIMENSIONS



OMCAN INC.

Telephone: 1-800-465-0234

Fax: (905) 607-0234

Email: sales@omcan.com

Website: www.omcan.com



Follow us to keep up to date with the latest news and offers



2019E&OE