



DISPLAY CASE

SERVING THE FOOD INDUSTRY SINCE 1951

22" COUNTERTOP FOOD DISPLAY 45 L CAPACITY

Item: 44372

**Promote impulse sales by boosting
product visibility!**



Omcan's countertop food display provides clear view of food merchandise. These products are designed for easy restocking and cleaning, with an added shelf for more storage and better visibility. An excellent addition for bakeries, cafes and concession stands!

180
DAYS
WARRANTY



Authorized Dealer

DISPLAY CASE

COUNTERTOP FOOD DISPLAY

Capacity 45 L

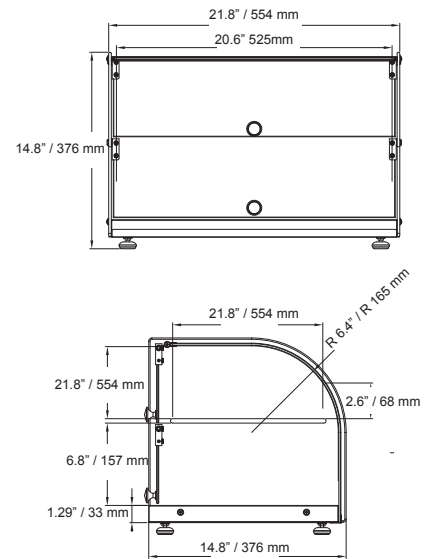


Features:

- Glass and stainless steel construction
- The extra shelf provides excellent product visibility to boost product sales
- Product assembly required
- Manually wash product for a thorough clean
- Dishwasher safe shelves that are easy-to-clean
- Hinged front door allows for quick and easy product replenishment and cleaning

TECHNICAL SPECIFICATION

ITEM NUMBER	44372
DESCRIPTION	Countertop food display case with curved front glass
CAPACITY	45 L
NET WEIGHT	27.6 lbs.
GROSS WEIGHT	30.8 lbs.
DIMENSIONS (WDH)	21.8" x 14.8" x 14.8" / 554 mm x 376 mm x 376 mm
GROSS DIMENSIONS	25" x 17.4" x 17" / 635 mm x 442 mm x 432 mm



OMCAN INC.

Telephone: 1-800-465-0234
 Fax: (905) 607-0234
 Email: sales@omcan.com
 Website: www.omcan.com



Follow us to keep up to date with the latest news and offers

