



DISPLAY CASE

SERVING THE FOOD INDUSTRY SINCE 1951

22" COUNTERTOP FOOD DISPLAY 25 L CAPACITY

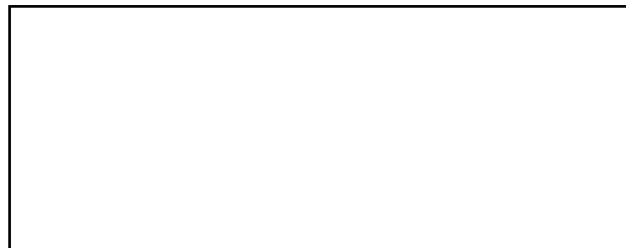
Item: 44370

**Promote impulse sales by boosting
product visibility!**



Omcan's countertop food display provides clear view of your food merchandise. These products are designed for easy restocking and cleaning, an excellent staple for bakeries, coffee shops and concession stands!

180
DAYS
WARRANTY



Authorized Dealer

DISPLAY CASE

COUNTERTOP FOOD DISPLAY

Capacity 25 L

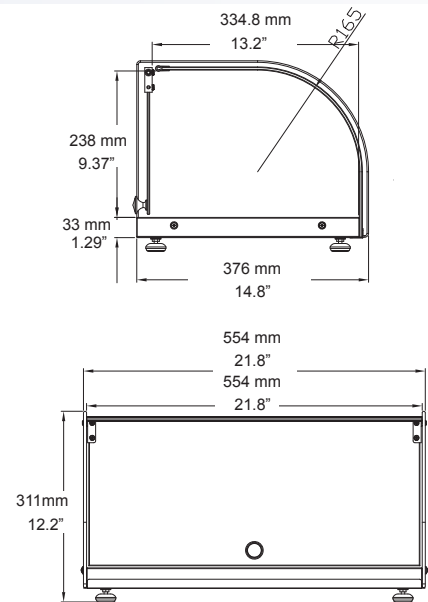


Features:

- Glass and stainless steel construction
- Excellent product visibility to boost product sales
- Product assembly required
- Manually wash product for thorough cleaning
- Compact display case fits easily in any establishment
- Hinged front door allows for quick and easy product replenishment and cleaning

TECHNICAL SPECIFICATION

ITEM NUMBER	44370
DESCRIPTION	Countertop food display case with curved front glass
CAPACITY	25 L
NET WEIGHT	28.6 lbs.
GROSS WEIGHT	33 lbs.
DIMENSIONS (WDH)	21.8" x 14.8" x 12.2" / 554 mm x 376 mm x 311 mm
GROSS DIMENSIONS	25.6" x 16" x 22.4" / 650 mm x 406 mm x 569 mm



OMCAN INC.

Telephone: 1-800-465-0234
 Fax: (905) 607-0234
 Email: sales@omcan.com
 Website: www.omcan.com



Follow us to keep up to date with the latest news and offers

