



FOOD WARMER

SERVING THE FOOD INDUSTRY SINCE 1951

Triple Sauce Pot Warmer

Model: FW-CN-0253 Item: 44183



The Omcan Sauce Pot Warmer keeps your toppings and sauces at optimal temperature for your customers.



WARRANTY
PARTS AND LABOR



Authorized Dealer

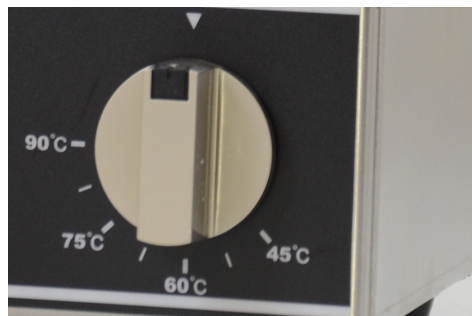
FEATURES:



Designed for easy use with just a flick of a switch.



The inserts are separate from the machine. Which, makes cleaning it very easy.

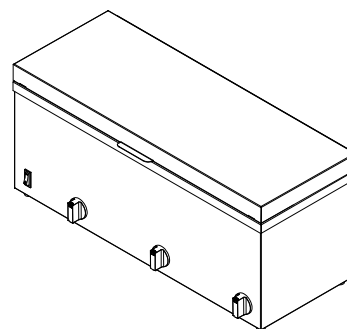
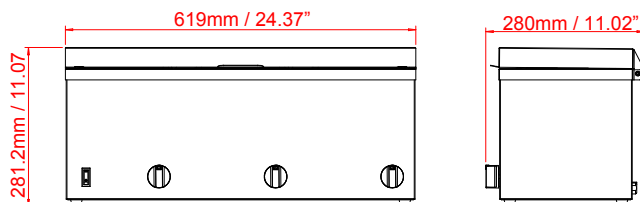


The temperature is controlled by an adjustable temperature dial which ranges from 45°-90° Celsius.

TECHNICAL SPECIFICATION

ITEM NUMBER	44183
MODEL	FW-CN-0253
DESCRIPTION	Triple Sauce Pot Warmer
POT SIZE	2.5L
MATERIAL	Stainless Steel
TEMPERATURE RANGE	45°C / 60°C / 75°C / 90°C / 113°F / 140°F / 167°F / 194°F
POWER	600W
ELECTRICAL	120V/ 60Hz/1
NET WEIGHT	12.3 KG / 27.12 LBS
GROSS WEIGHT	13.2 KG / 29.10 LBS
DIMENSIONS (DWH)	11.02" x 24.37" x 11.07" / 280mm x 619mm x 281.2mm
GROSS DIMENSIONS	26.97" x 11.61" x 13.19" / 685mm x 295mm x 335mm

OVERALL DIMENSIONS



NEMA
5 - 15
125 VAC / 15 AMP



LOCALLY
QPS
APPROVED



WARRANTY
PARTS AND LABOR



OMCAN INC.

Telephone: 1-800-465-0234
Fax: (905) 607-0234
Email: sales@omcan.com
Website: www.omcan.com



Follow us to keep up to date with the latest news and offers

