



OUTDOOR EQUIPMENT

SERVING THE FOOD INDUSTRY SINCE 1951

**STAINLESS STEEL PROPANE
PATIO HEATER - 34000BTU**

Item: 43584

Model: PH-CN-1800-C



WARRANTY
PARTS AND LABOR

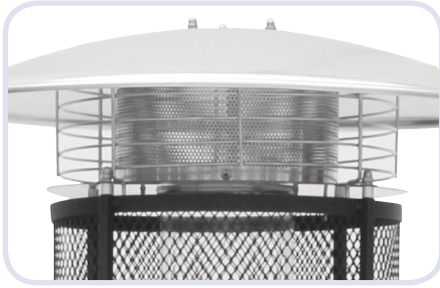


Authorized Dealer

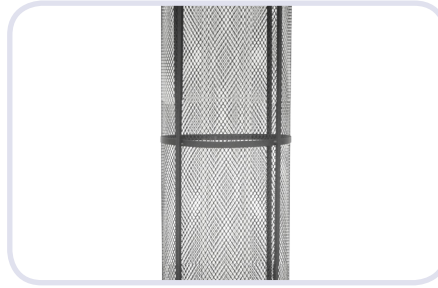
OUTDOOR EQUIPMENT

STAINLESS STEEL PROPANE PATIO HEATER

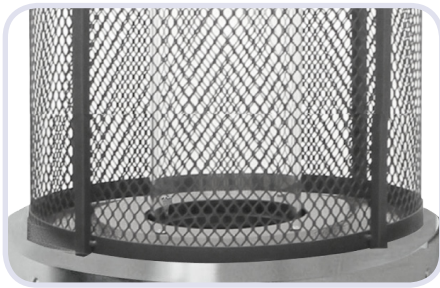
- 34000BTU



Reflector and upper protective mesh



Heating body

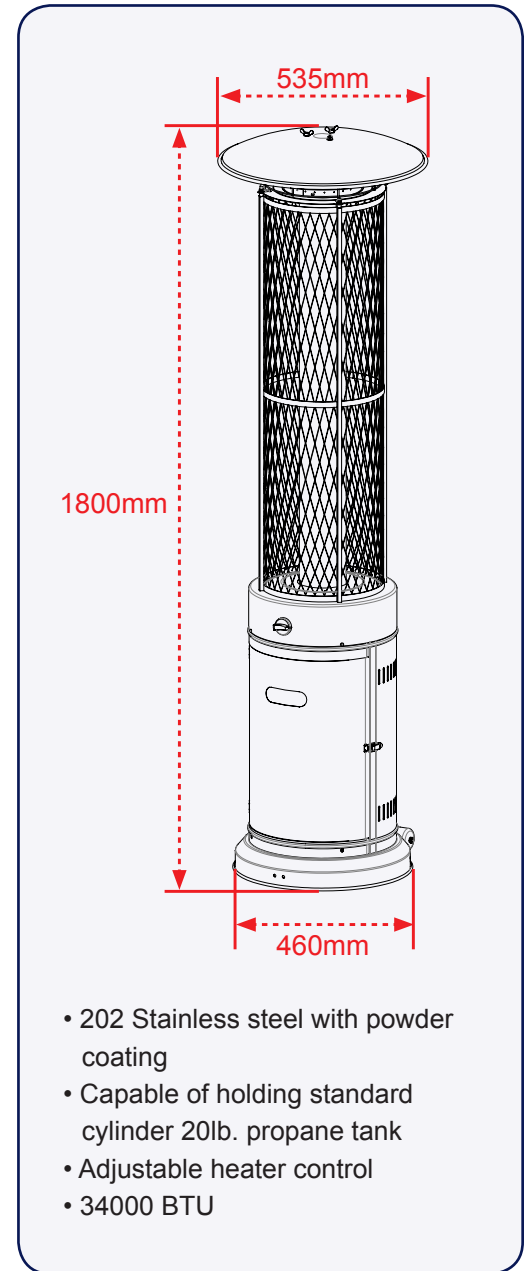


Glass tube & protective guard



Cylinder housing

FEATURES



- 202 Stainless steel with powder coating
- Capable of holding standard cylinder 20lb. propane tank
- Adjustable heater control
- 34000 BTU



WARRANTY
PARTS AND LABOR

TECHNICAL SPECIFICATION

ITEM NUMBER	43584
MODEL	PH-CN-1800-C
DESCRIPTION	Propane
BTU	34000
BASE SIZE	18"(Dia.) x 3" (H)/ 460mm(Dia.) x 81mm(H)
SAFETY MESH SIZE	14"(Dia.) x 34" (H)/ 360mm(Dia.) x 860mm (H)
HEATING AREA DIAMETER	4 m
TANK HOUSING	15"(Dia.) x 28" (H)/ 375mm(Dia.) x 715mm(H)
FLAME SCREEN	8"(Dia.) x 5" (H)/ 200mm(Dia.) x 125mm(H)
REFLECTOR	21"(Dia.)/ 535mm(Dia.)
GLASS TUBE	5"(Dia.) x 31.5" (H)/ 120mm(Dia.) x 800mm (H)
TOTAL HEIGHT	71"/ 1800mm (H)
FLUX	800g/hr
NET WEIGHT	15 kg/ 33 lbs
GROSS WEIGHT	17 kg/ 37.5 lbs

OMCAN INC.

Telephone: 1-800-465-0234
 Fax: (905) 607-0234
 Email: sales@omcan.com
 Website: www.omcan.com



Follow us to keep up to date with the latest news and offers

