



# COOKING EQUIPMENT

## ELITE SERIES HOT DISPLAY CASE

Item #: 40000/ 40001/ 40002

Model: DW-CN-0097/ DW-CN-0107/ DW-CN-0137



**Our new line of Elite Hot Display Showcase is made with high quality components.**

Increase sales by displaying your hot foods with our Elite Series Omcan Display Warmers. These units are specifically designed to display hot food merchandise at proper serving temperatures and are widely used in the food service industry. These display warmers offers the convenience of self-serve and the efficiency of kitchen-to-server holding.



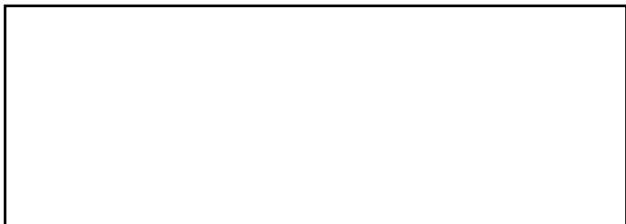
• Adjustable temperature controller.



• Temperature display.



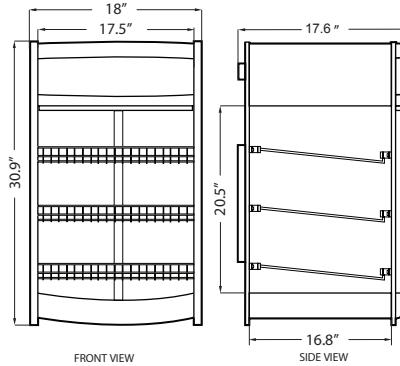
• Back doors.



Authorized Dealer

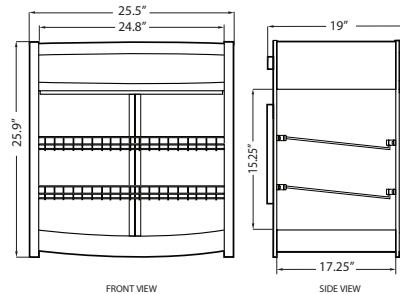
# COOKING EQUIPMENT

## ELITE SERIES HOT DISPLAY CASE



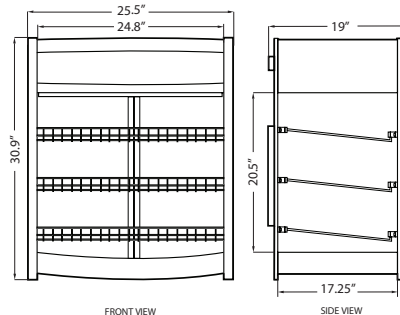
### Elite Series Hot Display Case with 97L Capacity

ITEM NUMBER	40000
MODEL	DW-CN-0097
TEMPERATURE RANGE	86°-194° F / 30-90° C
INPUT POWER	786 W
AMPS	7.2
ELECTRICAL	110V/60Hz/ 1
LAMP POWER	11 W
VOLUME	97L
GRADE OF WATERPROOF	IPX3
EXTERIOR/ INTERIOR LIGHTS	LED Lights x 1
DIMENSIONS	18" x 17.8" x 30.9"
PACKAGING DIMENSIONS	21" x 21.1" x 32.8"
WEIGHT	Net Weight: 48.5 lbs. / Gross Weight: 50.5 lbs.



### Elite Series Hot Display Case with 107L Capacity

ITEM NUMBER	40002
MODEL	DW-CN-0107
TEMPERATURE RANGE	86°-194° F / 30-90° C
INPUT POWER	986 W
AMPS	9
ELECTRICAL	110V/60Hz/ 1
LAMP POWER	11 W
VOLUME	107L
GRADE OF WATERPROOF	IPX3
EXTERIOR/ INTERIOR LIGHTS	LED Lights x 1
DIMENSIONS	25.5" x 19" x 25.9"
PACKAGING DIMENSIONS	28.3" x 21.1" x 27.8"
WEIGHT	Net Weight: 49.6 lbs./ Gross Weight: 51.6 lbs.



### Elite Series Hot Display Case with 137L Capacity

ITEM NUMBER	40001
MODEL	DW-CN-0137
TEMPERATURE RANGE	86°-194° F / 30-90° C
INPUT POWER	1050 W
AMPS	9.5
ELECTRICAL	110V/60Hz/ 1
LAMP POWER	11 W
VOLUME	137L
GRADE OF WATERPROOF	IPX3
EXTERIOR/ INTERIOR LIGHTS	LED Lights x 1
DIMENSIONS	25.5" x 19" x 30.9"
PACKAGING DIMENSIONS	28.3" x 21.1" x 32.8"
WEIGHT	Net Weight: 59.5 lbs./ Gross Weight: 61.5 lbs.

## OMCAN INC.

Telephone: 1-800-465-0234  
 Fax: (905) 607-0234  
 E-mail: sales@omcan.com  
 Website: www.omcan.com



Follow us to keep up to date with the latest news and offers

