



FOOD EQUIPMENT

OPEN HEATED FLOOR DISPLAY WARMER WITH 7.8 CU. FT CAPACITY

Item #: 39537

Model: DW-CN-0220



STYLISH WAY TO KEEP YOUR FOOD PRODUCTS WARM

FEATURES:

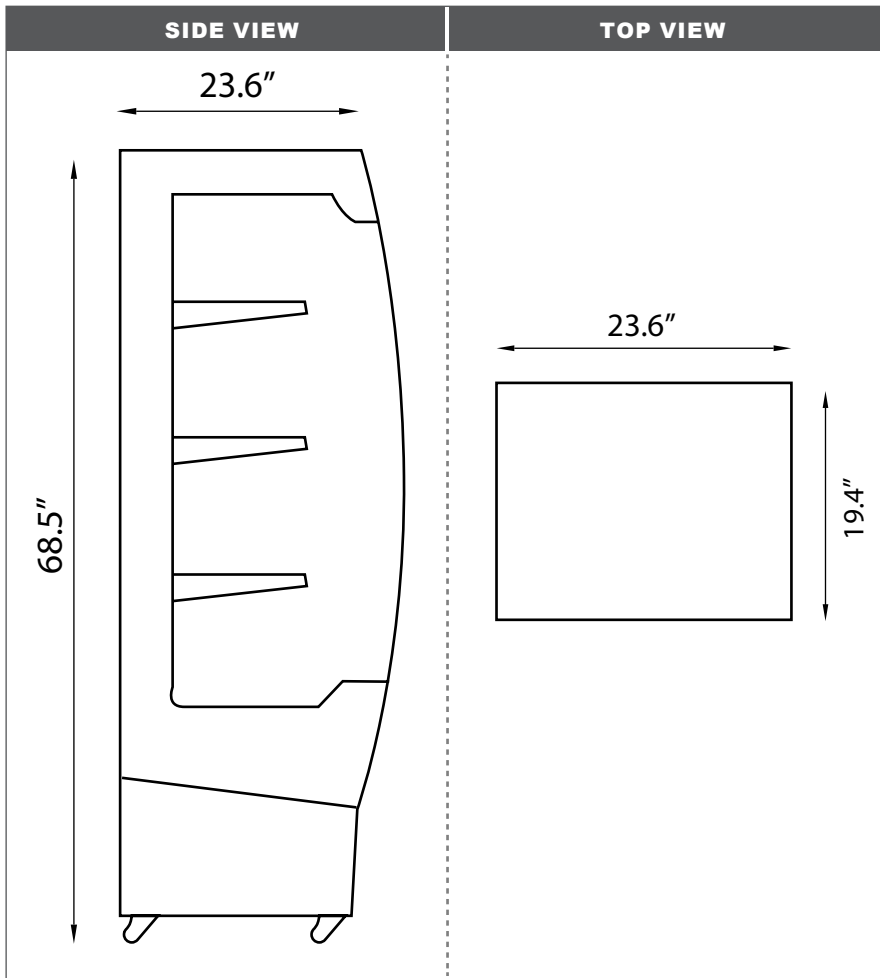
- Eye catching internal LED lighting
- Easy adjustable shelves
- 4 Caster with 2 breaks
- Stainless steel interior and exterior



Authorized Dealer

FOOD EQUIPMENT

OPEN HEATED FLOOR DISPLAY WARMER WITH 7.8 CU. FT CAPACITY



- A. Lamp**
- B. Air Suction**
- C. Air Outlet**
- D. Power Switch**
- E. Digital Controller**
- F. Castors**

TECHNICAL SPECIFICATION

ITEM NUMBER	39537
MODEL	DW-CN-0220
CAPACITY (CU. FT.)	220L/ 7.8 Cu. Ft.
TOTAL POWER INPUT	1650 W
ELECTRICAL	220V/ 60Hz
STORAGE TEMPERATURE	30-90°C/ 86°F- 194°F
DIMENSIONS (WDH)	19.4" x 23.6" x 68.5" 49cm x 60cm x 174cm
NET WEIGHT	86 kg/ 189.6 lbs
PACKAGING DIMENSIONS (WDH)	26.2" x 22" x 75.6" 66.5cm x 56cm x 192cm

OMCAN INC.

Telephone: 1-800-465-0234
 Fax: (905) 607-0234
 E-mail: sales@omcan.com
 Website: www.omcan.com



Follow us to keep up to date with the latest news and offers

