



HANDLING AND STORAGE

SERVING THE FOOD INDUSTRY SINCE 1951

## UTILITY CARTS

*Omcans Utility Carts are sturdily constructed to endure tough everyday handling. Finished for easy cleaning. Great for supermarkets and various food service operations. Shipped knock-down.*

*2 Sizes Available.*



**WARRANTY**



SHIPPED ON PALLET



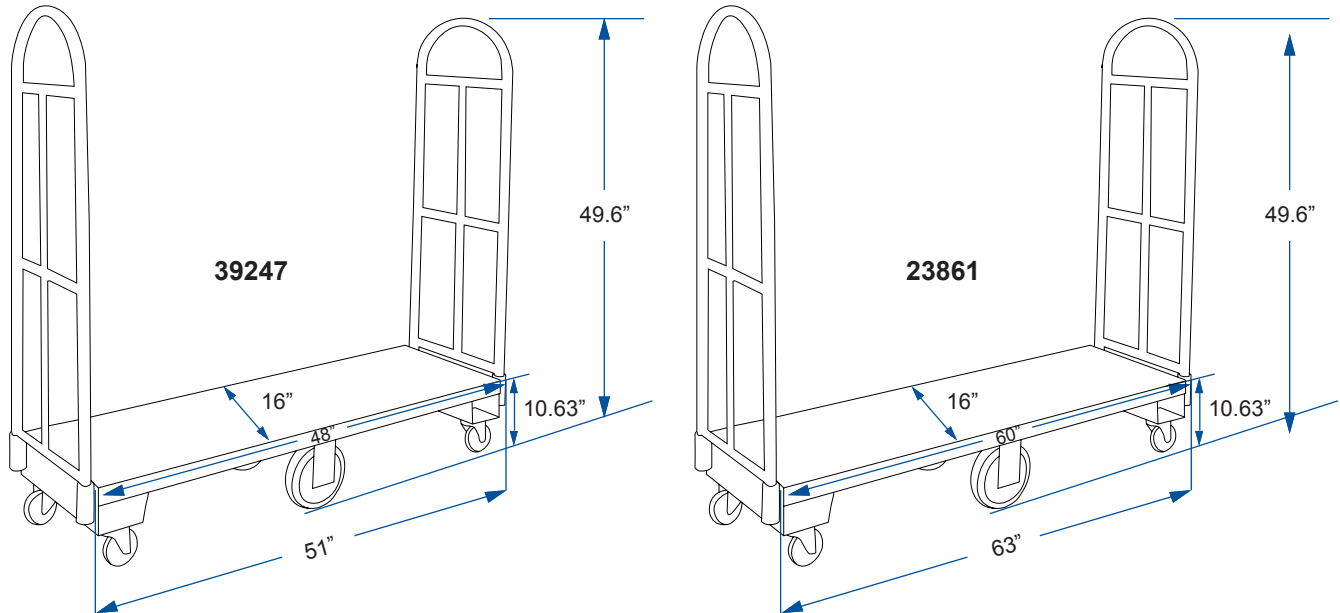
Authorized Dealer

# HANDLING AND STORAGE

UTILITY CARTS 39247 / 23861



## TECHNICAL DRAWING AND DIMENSIONS



### TECHNICAL SPECIFICATIONS

ITEM	39247	23861
DESCRIPTION	Utility Cart Steel 16" x 48"	Utility Cart Steel 16" x 60"
CAPACITY	2000 lbs. / 907 kg.	2000 lbs. / 907 kg.
WEIGHT	80 lbs. / 36 kg.	92 lbs. / 41 kg.
GROSS WEIGHT	162 lbs. / 73 kg.	186 lbs. / 84 kg.
DIMENSIONS (DWH)	51" x 16" x 49.6" / 1295.4 x 406 x 1260 mm	63" x 16" x 49.6" / 1600 x 406 x 1260 mm
GROSS DIMENSIONS	53" x 17" x 15" / 1346 x 432 x 381 mm	72" x 17" x 15" / 1829 x 432 x 381 mm

### OPTIONAL SHELVES

ITEM	39248	13119
DESCRIPTION	Shelf for Item 39247	Shelf for Item 23861
WEIGHT	21 lbs. / 9.5 kg.	27 lbs. / 12 kg.
GROSS WEIGHT	136 lbs. / 62 kg.	176 lbs. / 80 kg.
DIMENSIONS	48" x 16" / 1219 x 406 mm	60" x 16" / 1524 x 406 mm
GROSS DIMENSIONS	48" x 16" x 0.80" / 1219 x 406 x 20 mm	60" x 16" x 0.80" / 1524 x 406 x 20 mm



## OMCAN INC.

Telephone: 1-800-465-0234  
 Fax: (905) 607-0234  
 Email: sales@omcan.com  
 Website: www.omcan.com



Follow us to keep up to date with the latest news and offers

