



SERVING THE FOOD INDUSTRY SINCE 1951

PYRAMID STYLE PATIO HEATER

Item: 31879 / 37878

Model: PH-CN-0042-S/ PH-CN-0042-P



31879



37878

**ATTRACTIVE
SOLUTION FOR HEATING
YOUR OUTDOOR VENUES**



WARRANTY
PARTS AND LABOR



Authorized Dealer

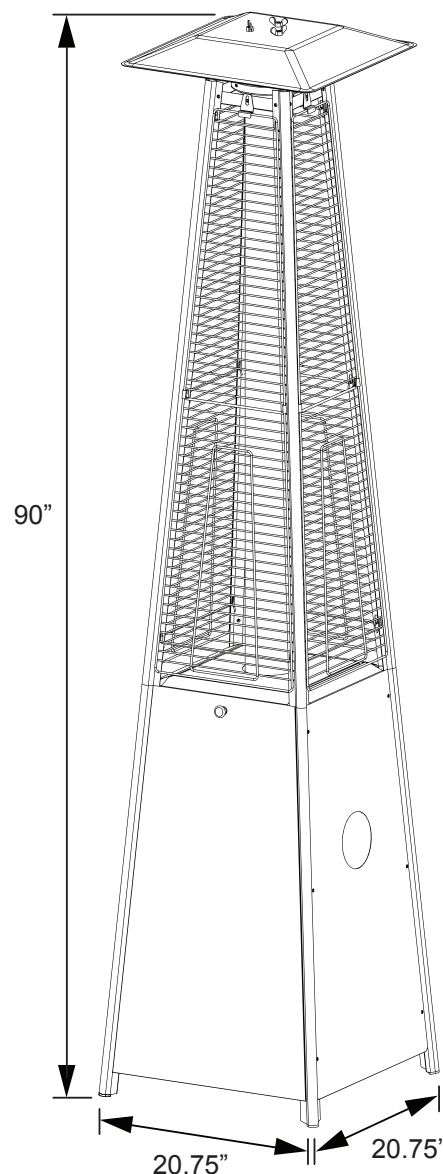
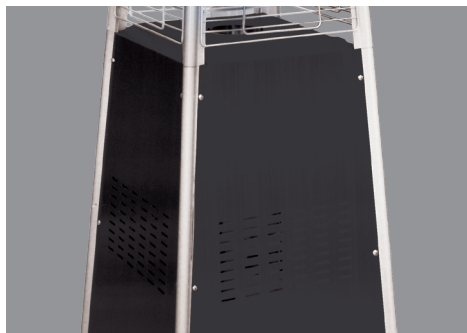
OUTDOOR EQUIPMENT

PYRAMID STYLE PATIO HEATER



Features:

- Stainless Steel or black powder coating Body
- Alloy Frame
- Quartz Tube
- Aluminum Reflector
- Stainless Steel Wire Mesh
- Flame Height Adjustment Knob
- Push button ignition
- Can accommodate a 20 or 30 lb propane tank (not included)



TECHNICAL SPECIFICATION

ITEM NUMBER	31879	37878
MODEL	PH-CN-0042-S	PH-CN-0042-P
DESCRIPTION	Outdoor Patio Heater with Stainless Steel Body	Outdoor patio heater with black powder coating
FUEL	Propane	
CONSUMPTION	Consumption 590g / hr.	
QUARTZ TUBE DIMENSIONS	4"/102 mm (Dia.) x 49.25"/1251 mm (H)	
DIMENSIONS	20.75" x 20.75" x 90" / 527 x 527 x 2286 mm	
GROSS DIMENSIONS	6.5" x 30" x 55.5" / 165 x 762 x 1409.7 mm	
WEIGHT	50.75 lbs./ 23 kg	
GROSS WEIGHT	57.25 lbs./ 26 kg	

OMCAN INC.

Telephone: 1-800-465-0234

Fax: (905) 607-0234

Email: sales@omcan.com

Website: www.omcan.com



Follow us to keep up to date with the latest news and offers



2015.E.O.E