



**FOOD EQUIPMENT**

*SERVING THE FOOD INDUSTRY SINCE 1951*

# COUNTERTOP CERAMIC FOOD WARMER

Item: 23574 Model: FW-CN-0902



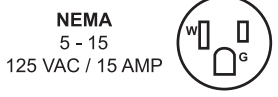
**KEEP YOUR FRIED FOOD HOT AND DELICIOUS  
WHILE WAITING FOR IT TO BE SERVED**

- Great for buffets, cafeterias, and restaurants

Omcans countertop ceramic food warmer is designed to keep food warm while waiting for it to be served. Simply switch the unit on and the element will start heating up, and provide consistent heating.



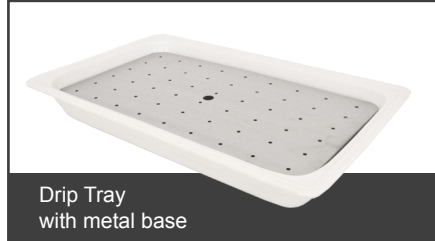
**WARRANTY**  
PARTS AND LABOR



Authorized Dealer



Drip Tray  
with no metal base



Drip Tray  
with metal base



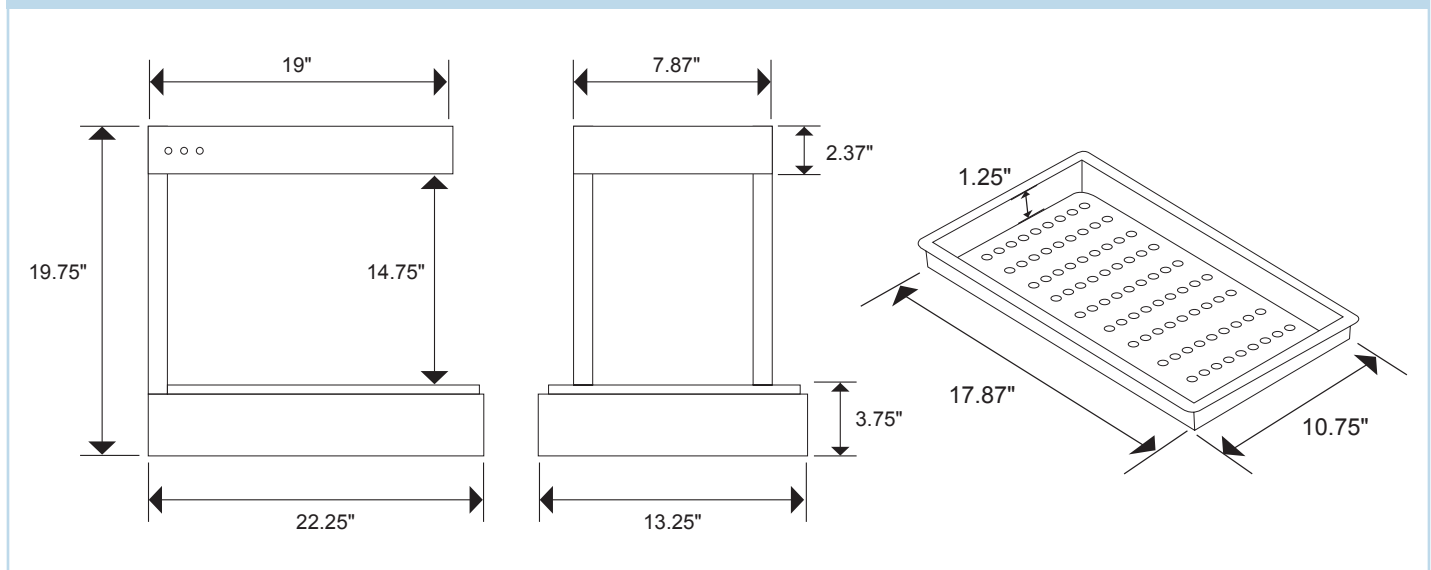
Switch light indicators



**TECHNICAL SPECIFICATIONS**

ITEM NUMBER	23574
MODEL	FW-CN-0902
POWER	0.85 kW
BASE TO BULB	14.75" / 374.65 mm
ELECTRICAL	120V / 60Hz / 1Ph
WEIGHT	18 lbs. / 8.16 kg.
PACKAGING WEIGHT	26 lbs. / 11.79 kg.
DIMENSIONS (DWH)	22.25" x 13.25" x 19.75" 565.15 x 336.55 x 501.65 mm
PACKAGING DIMENSIONS	24" x 15" x 24" 609.6 x 381 x 609.6 mm

**TECHNICAL DRAWINGS AND DIMENSIONS**



**OMCAN INC.**

Telephone: 1-800-465-0234  
 Fax: (905) 607-0234  
 Email: sales@omcan.com  
 Website: www.omcan.com



Follow us to keep up to date with the latest news and offers

